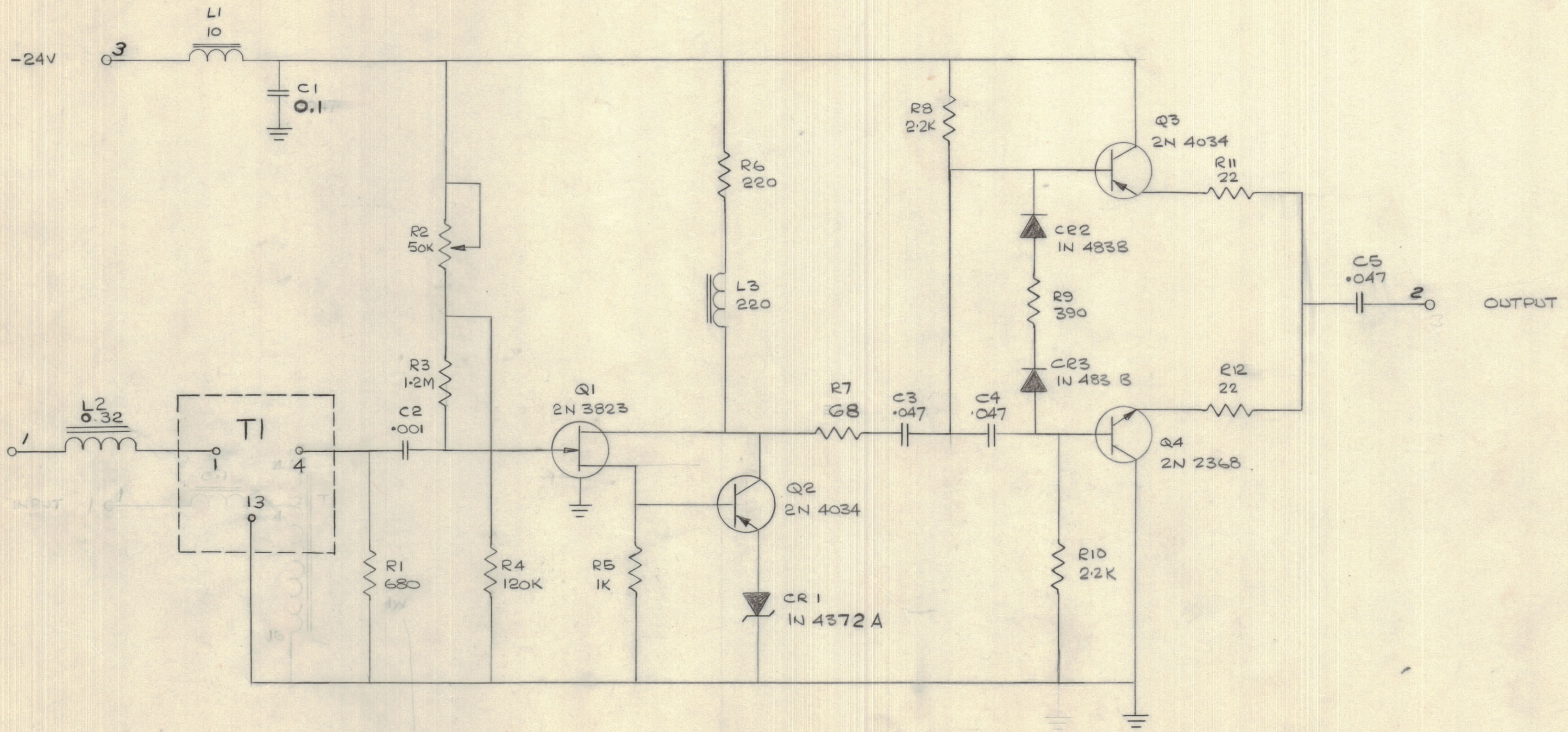


IF IT IS FOUND DESIRABLE TO CHANGE ANY TOLERANCE OR OTHER DETAIL SPECIFIED ON THIS DRAWING NOTIFY THE PURCHASER PROMPTLY.				DIMENSIONS IN INCHES UNLESS OTHERWISE SPECIFIED			
MAXIMUM ALLOWABLE TOLERANCES HAVE BEEN DETERMINED AND DEVIATIONS WILL BE CAUSE FOR REJECTION. REMOVE ALL BURRS AND SHARP EDGES.				OTHERWISE SPECIFIED			
ISSUE	ITEM	CHANGED FROM	DATE	CN. NO.	DRAFTS	CHECKER	ENG. APP.
0		REL TO PROD	APRIL 11/68			AP	N
A		REV AS PER CEMM	APRIL 30/68	360	AP	N	N
B		REV AS PER CEMM	JUNE 14/68	370	N	N	N

REQ.	ITEM	PART NO.	DESCRIPTION	SYMBOL
------	------	----------	-------------	--------



CK 10557 B

RESISTANCE IN OHMS, 1/4 WATT.
CAPACITANCE IN μ F
INDUCTANCE IN MH.

TOLERANCES		SCALE:
DEC. DIM. \pm	.X = .08	DRILL, PUNCH, COMMERCIAL STOCK
FRAC. DIM. \pm	.XX = .01	SIZES AND MANUFACTURERS
ANGULAR DIM. \pm	.XXX = .005	TOLERANCES ARE NOT INCLUDED.

AMC 21			6 FEB 68
MODEL	PROJECT NO.	ASSY. NO.	DATE

TMC (Canada) LIMITED OTTAWA ONTARIO			
SCHEMATIC			
PRE-AMP			
TYPE & TEMPER	JW.	K.I.N.	
HEAT TREAT. SPEC.			
FINISH & SPEC. NO.			

CK 10557 B