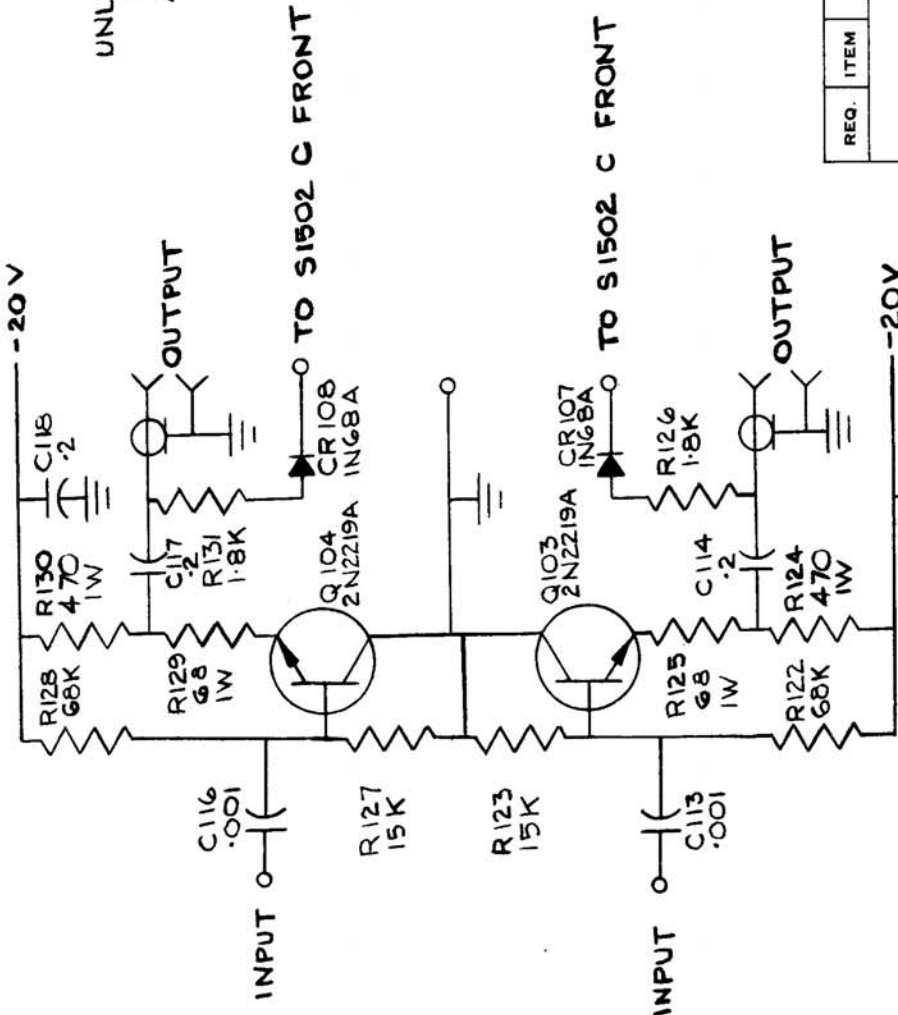


IF IT IS FOUND DESIRABLE TO CHANGE ANY TOLERANCE OR OTHER DETAIL SPECIFIED ON THIS DRAWING NOTIFY THE PURCHASER PROMPTLY.

MAXIMUM ALLOWABLE TOLERANCES HAVE BEEN DETERMINED AND DEVIATIONS WILL BE CAUSE FOR REJECTION. REMOVE ALL BURRS AND SHARP EDGES



UNLESS OTHERWISE SPECIFIED:
ALL RESISTOR VALUES ARE IN OHMS, 1/2 WATT
ALL CAPACITOR VALUES ARE IN μ F

USED ON

MODEL	PROJECT NO.	ASS'Y. NO.	DATE
AX 10032	046/66		JULY 27, 1967

REQ. ITEM	PART NO.	DESCRIPTION	SYMBOL
		TMC (Canada) LIMITED OTTAWA ONTARIO	
		SCHEMATIC DIAGRAM	
		OUTPUT MODULE	
		GAM	
		DRAWN	
		RPL	
		CHECKED	
		FINAL APPROVAL	
		ELEC. DES. APP. MECH. DES. APP.	
		CK10539	B

ISSUE	ITEM	CHANGED FROM	DATE	CN. NO.	DRAFTS	CHECKER	ENG. APP.
B		REVISED PER CEMN	JAN 71	897	G.C.T.		
A		REVISED PER CEMN.	NOV 27/70	873	G.C.T.		
Ø		REL. TO PROU.	SEP 22/67		RPL		
TOLERANCES							
SCALE							
DIMENSIONS IN INCHES							
UNLESS OTHERWISE SPECIFIED							
DRILL, PUNCH, COMMERCIAL STOCK							
SIZES AND MANUFACTURERS							
TOLERANCES ARE NOT INCLUDED.							
ALL OTHERS	DEC. DIM. ±	FRAC. DIM. ±	ANGULAR DIM. ±				