

IF IT IS FOUND DESIRABLE TO CHANGE ANY TOLERANCE OR OTHER DETAIL SPECIFIED ON THIS DRAWING NOTIFY THE PURCHASER PROMPTLY.

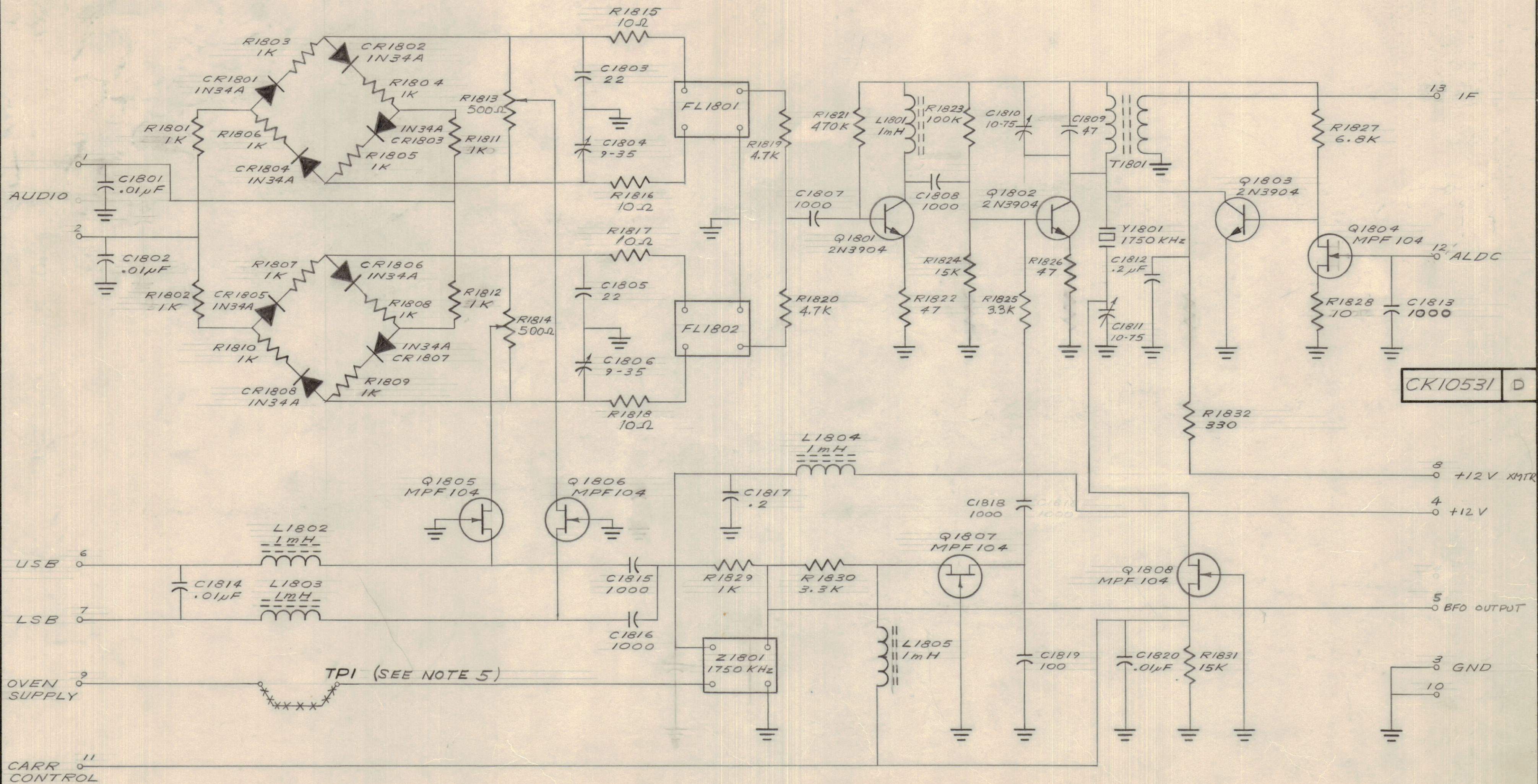
DIMENSIONS IN INCHES UNLESS OTHERWISE SPECIFIED

MAXIMUM ALLOWABLE TOLERANCES HAVE BEEN DETERMINED AND DEVIATIONS WILL BE CAUSE FOR REJECTION. REMOVE ALL BURRS AND SHARP EDGES.

REQ.	ITEM	PART NO.	DESCRIPTION	SYMBOL
------	------	----------	-------------	--------

ISSUE	ITEM	CHANGED FROM	DATE	CN. NO.	DRAFTS	CHECKER	ENG. APP.
0		RELEASED TO PROD	APRIL 4/67		RPL		
A		REV TO CEMN	30/6/67	251	AP		
B		REV AS PER CEMN	JAN 2/68	324	AP	RPL	
C		REV. AS PER CEMN	FEB 7/68	345	RPL		
D		REV AS PER CEMN	JUNE 10/68	368	RPL		

- NOTES
1. FL 1801 IS FX 10014-1
 2. FL 1802 IS FX 10014-2
 3. LOWER SIDE BAND FILTER REMOVED FOR "USB ONLY" APPLICATION
 4. UPPER SIDE BAND FILTER REMOVED FOR "LSB ONLY" APPLICATION
 5. ADD JUMPER WHEN USING NF 10001
NO JUMPER REQUIRED WHEN USING NF 10002.



CK10531 D

UNLESS OTHERWISE INDICATED:
ALL CAPACITANCES IN pF
ALL RESISTANCES IN OHMS, 1/2 WATT

STOCK SIZE		TMC (Canada) LIMITED OTTAWA ONTARIO	
MATERIAL		SCHEMATIC	
WEIGHT PER PC.		XMIT IF BOARD	
TYPE & TEMPER	RD	5	
	DRAWN	ELEC. DES. APP.	MECH. DES. APP.
	5		
HEAT TREAT. SPEC.	CHECKED	FINAL APPROVAL	
		CK10531 D	
FINISH & SPEC. NO.			

TOLERANCES	SCALE:
ALL DEC. DIM. ±	DRILL, PUNCH, COMMERCIAL STOCK
OTHERS FRAC. DIM. ±	SIZES AND MANUFACTURERS
ANGULAR DIM. ±	TOLERANCES ARE NOT INCLUDED.

AX10033	053/67	A10603	22 MAR 67
MODEL	PROJECT NO.	ASS'Y. NO.	DATE
USED ON			