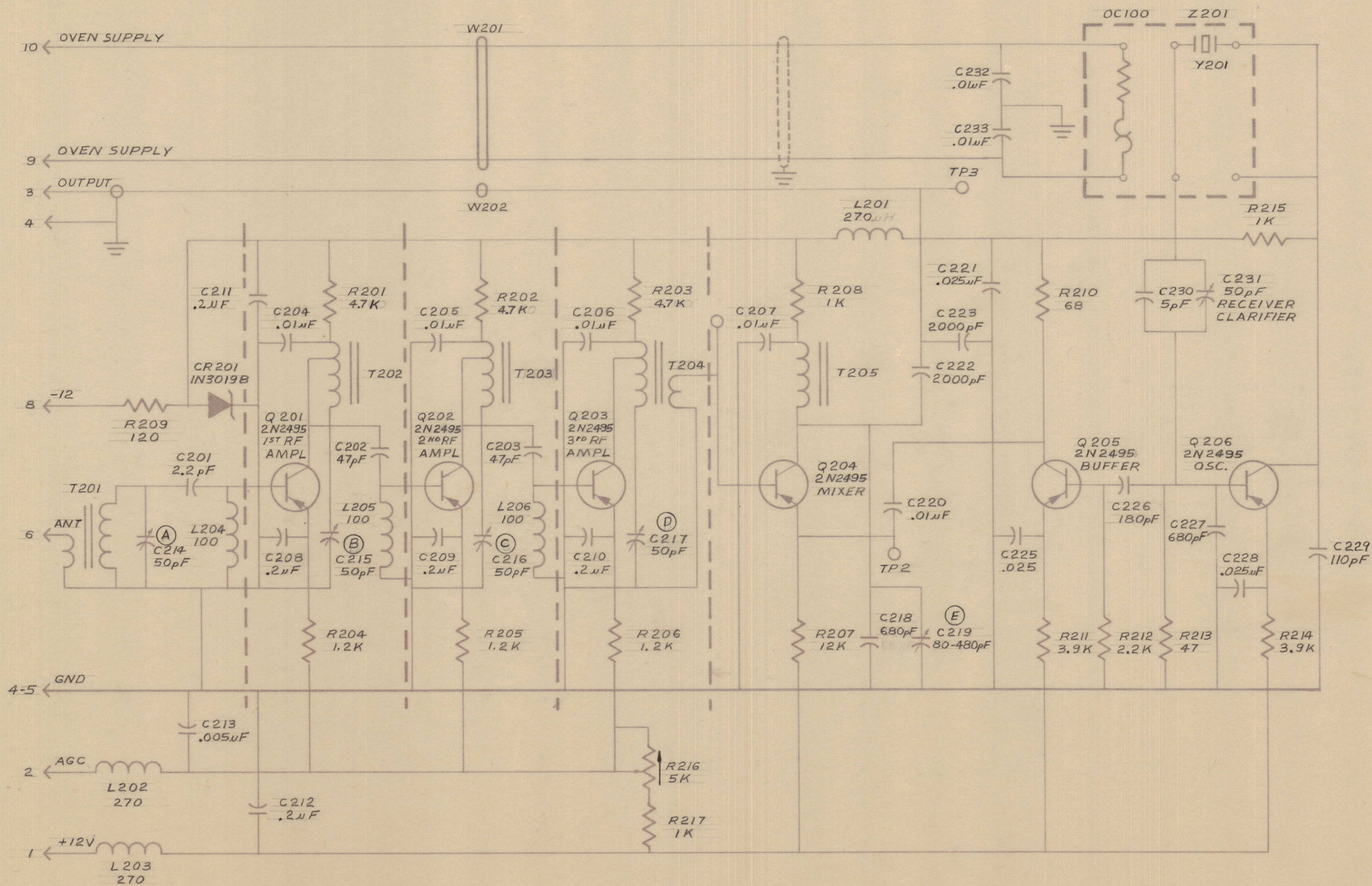


IF IT IS FOUND DESIRABLE TO CHANGE ANY TOLERANCE OR OTHER DETAIL SPECIFIED ON THIS DRAWING NOTIFY THE PURCHASER PROMPTLY.		DIMENSIONS IN INCHES UNLESS OTHERWISE SPECIFIED					
MAXIMUM ALLOWABLE TOLERANCES HAVE BEEN DETERMINED AND DEVIATIONS WILL BE CAUSE FOR REJECTION. REMOVE ALL BURRS AND SHARP EDGES.							
ISSUE	ITEM	CHANGED FROM	DATE	CN NO.	DRAFTS	CHECKER	ENG. APP.
Φ		REL TO PROD	12/JAN/67		RA		<i>[Signature]</i>

REQ.	ITEM	PART NO.	DESCRIPTION	SYMBOL
------	------	----------	-------------	--------



CK10522 Φ

NOTE: Q 202 TO Q 206 MAY BE 2N2084

UNLESS OTHERWISE SPECIFIED  
 ALL RESISTORS 1/2 WATT  
 ALL RESISTORS VALUES IN OHMS  
 ALL INDUCTANCE VALUES IN μH

TOLERANCES	SCALE
ALL OTHERS	DRILL, PUNCH, COMMERCIAL STOCK SIZES AND MANUFACTURERS TOLERANCES ARE NOT INCLUDED

TTRR-2C	067/67	12 JAN 67
MODEL	PROJECT NO.	DATE

STOCK SIZE		TMC (Canada) LIMITED OTTAWA ONTARIO	
MATERIAL		SCHEMATIC	
TYPE & TEMPER.	RA	<i>[Signature]</i>	MECH. DES. APP.
HEAT TREAT. SPEC.	CHECKED	<i>[Signature]</i>	FINAL APPROVAL
FINISH & SPEC. NO.		CK10522 Φ	