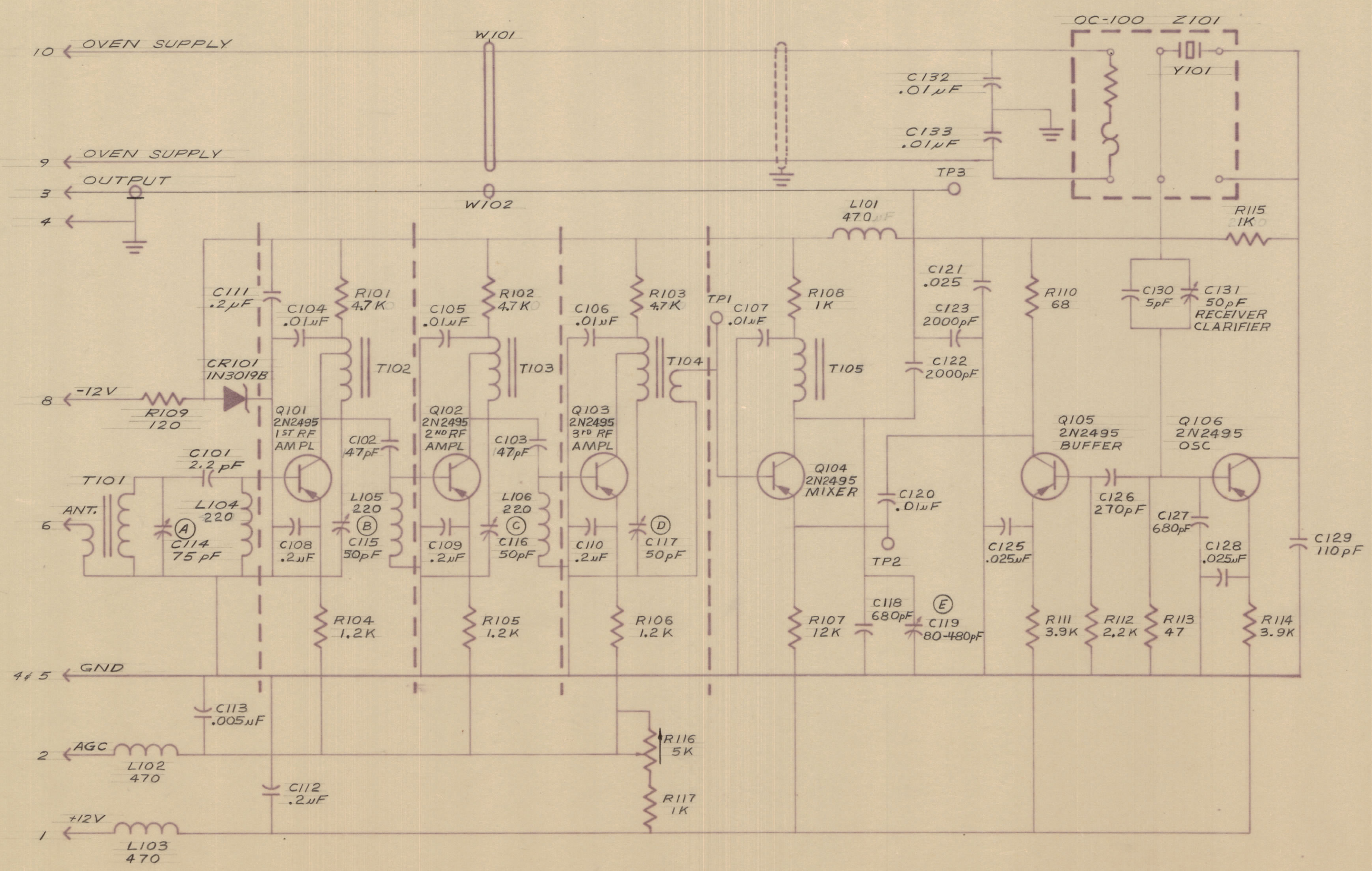


IF IT IS FOUND DESIRABLE TO CHANGE ANY TOLERANCE OR OTHER DETAIL SPECIFIED ON THIS DRAWING NOTIFY THE PURCHASER PROMPTLY.		DIMENSIONS IN INCHES UNLESS OTHERWISE SPECIFIED.					
MAXIMUM ALLOWABLE TOLERANCES HAVE BEEN DETERMINED AND DEVIATIONS WILL BE CRUISE FOR REJECTION. REMOVE ALL BURRS AND SHARP EDGES.							
ISSUE	ITEM	CHANGED FROM	DATE	CN. NO.	DRAFTS	CHECKER	ENG. APP.
φ		REL TO PROD	19 JAN 67			RA	

REQ.	ITEM	PART NO.	QUANTITY
------	------	----------	----------



CK10521 φ

NOTE: Q102 TO Q106 MAY BE 2N2084

UNLESS OTHERWISE SPECIFIED  
 ALL RESISTORS 1/2 WATT  
 ALL RESISTANCE VALUES IN OHMS  
 ALL INDUCTANCE VALUES IN μH

TOLERANCES	SCALE
DEC. DIM. ±	DRILL, PUNCH, COMMERCIAL STOCK
FRACTIONAL DIM. ±	SIZES AND MANUFACTURERS
ANGULAR DIM. ±	TOLERANCES ARE NOT INCLUDED.

TTRR-1C	067/67	12 JAN 67
MODEL	PROJECT NO.	DATE
	ASSY. NO.	

STOCK SIZE		TMC (Canada) LIMITED OTTAWA ONTARIO	
MATERIAL		SCHEMATIC	
WEIGHT PER PC.		RA	
TYPE & TEMPER.		DRWN	MECH. DES. APP.
HEAT TREAT. SPEC.		CHECKED	FINAL APPROVAL
FINISH & SPEC. NO.		CK10521 φ	