

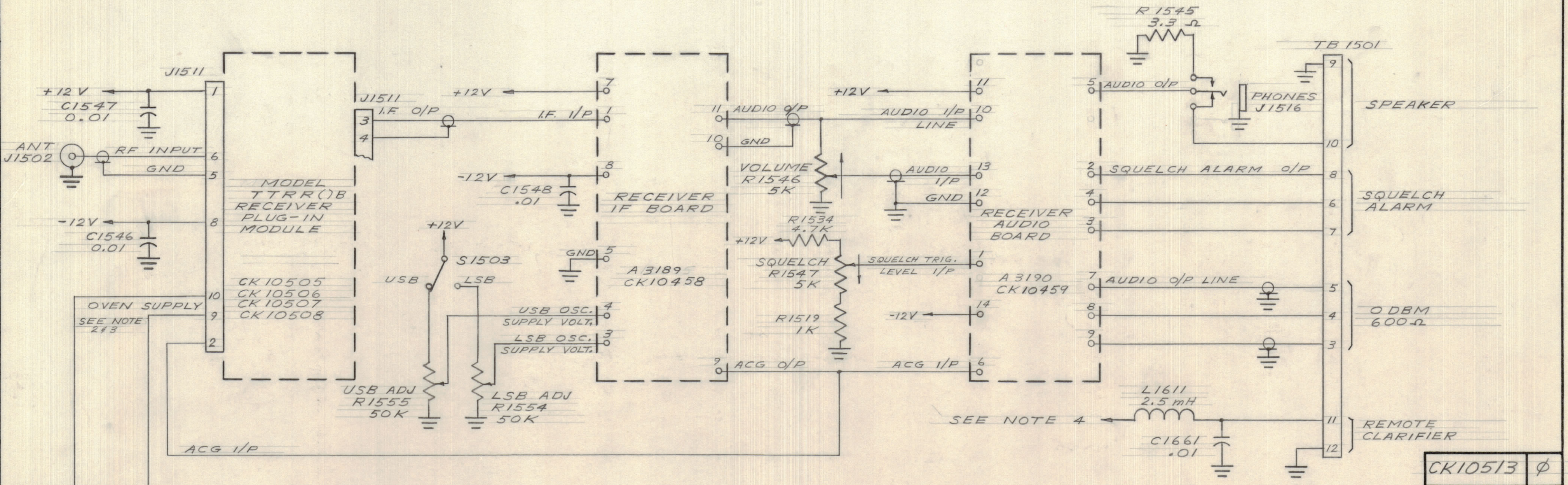
IF IT IS FOUND DESIRABLE TO CHANGE ANY TOLERANCE OR OTHER DETAIL SPECIFIED ON THIS DRAWING NOTIFY THE PURCHASER PROMPTLY.

DIMENSIONS IN INCHES UNLESS OTHERWISE SPECIFIED

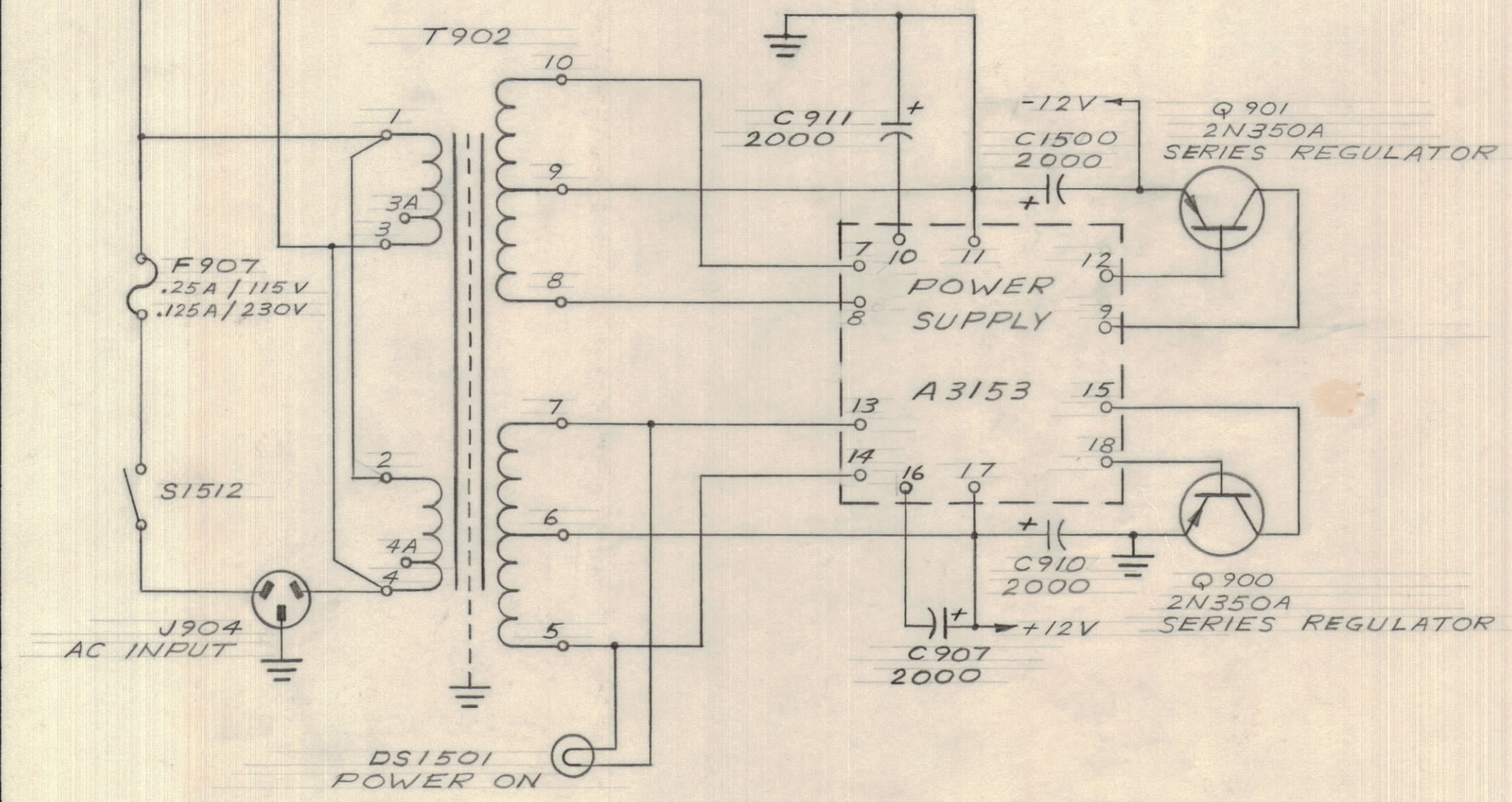
MAXIMUM ALLOWABLE TOLERANCES HAVE BEEN DETERMINED AND DEVIATIONS WILL BE CAUSE FOR REJECTION. REMOVE ALL BURRS AND SHARP EDGES.

ISSUE	ITEM	CHANGED FROM	DATE	CN. NO.	DRAFTS	CHECKER	ENG. APP.
0		REL TO PROD	11-11-66		RD		

REG.	ITEM	PART NO.	DESCRIPTION	SYMBOL
------	------	----------	-------------	--------



CK10513 φ



NOTES:

- UNLESS OTHERWISE SPECIFIED; ALL RESISTANCE VALUES ARE IN OHMS, ALL CAPACITANCE VALUES ARE IN MICROFARADS & ALL INDUCTANCE VALUES ARE IN MICROHENRIES.
- THE OVEN SUPPLY SHOWN IS FOR 115 VAC OVEN
- CONNECTIONS FROM J1511 TERM 9 & 10 TO T902 TERM 1 & 3 ARE OMITTED FOR THE STR-3 SERIES
- CIRCUITRY BETWEEN J1511 TERM 9 & TB1501 TERM 11 & 12 IS ADDED FOR STR-3 SERIES ONLY.
- XFMR PRIMARY SHOWN IN 115V CONFIGURATION. FOR 230V OPERATION; REMOVE JUMPERS BETWEEN TERMINALS 1 & 2 AND 3 & 4. ADD NEW JUMPER FROM TERMINAL 2 TO TERMINAL 3. OVEN LEADS REMAIN CONNECTED TO TERMINALS 1 & 3 OPERATING ON 115VAC.

TOLERANCES		SCALE:
ALL	DEC. DIM. ±	DRILL, PUNCH, COMMERCIAL STOCK SIZES AND MANUFACTURERS TOLERANCES ARE NOT INCLUDED.
OTHERS	FRAC. DIM. ±	
	ANGULAR DIM. ±	

STR-1,3	0531	10 NOV 66
MODEL	PROJECT NO.	ASS. Y. NO.
USED ON		

TMC (Canada) LIMITED			
STOCK SIZE		OTTAWA ONTARIO	
MAIN SCHEMATIC			
STR 1 & 3			
MATERIAL		WEIGHT PER PC.	
TYPE & TEMPER.		RD	
DRAWN		ELEC. DES. APP.	
HEAT TREAT. SPEC.		MECH. DES. APP.	
CHECKED		FINAL APPROVAL	
COOK		CK10513 φ	
FINISH & SPEC. NO.			