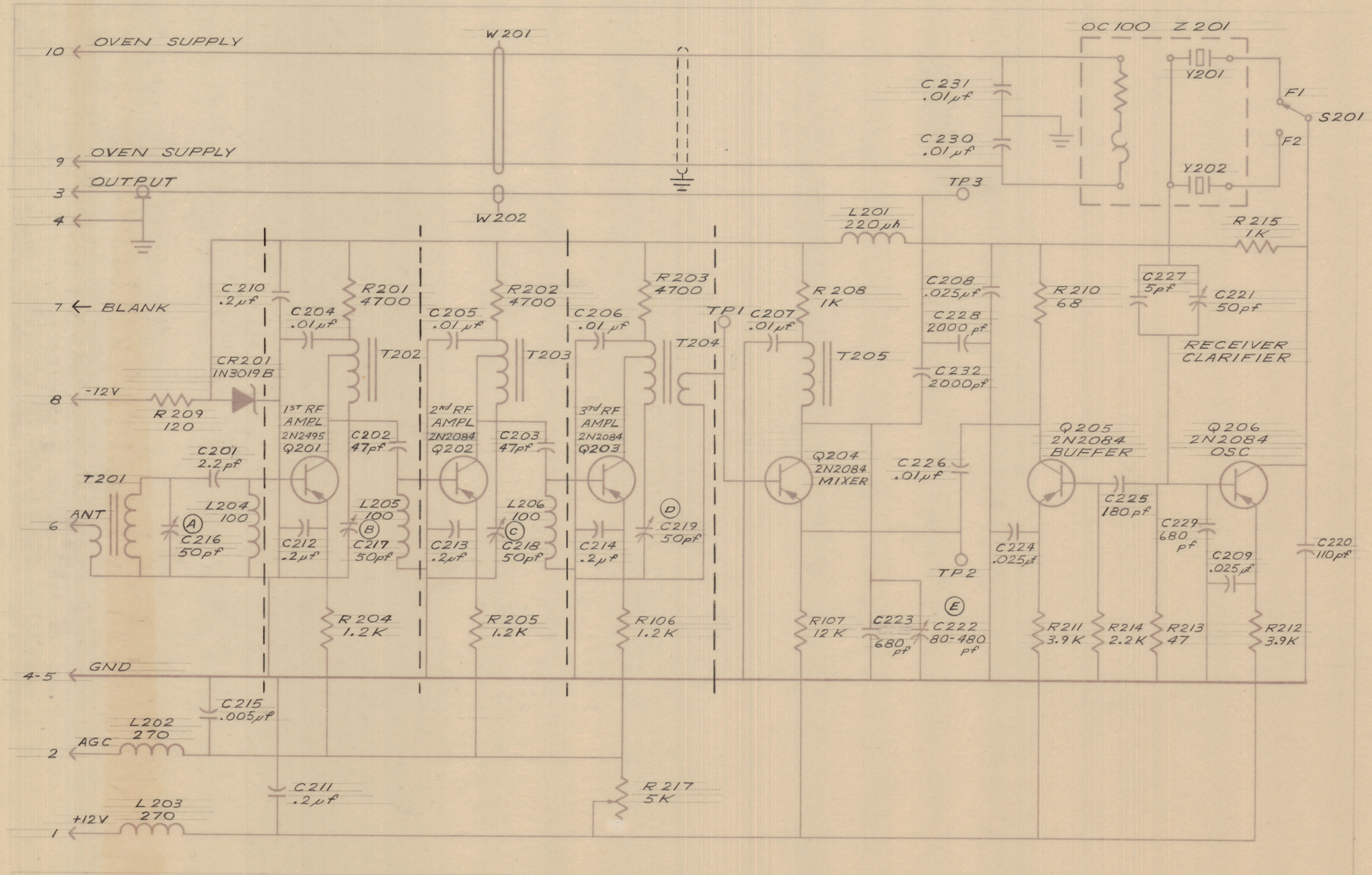


| | | | | | | | |
|---|------|--|----------|--------|--------|---------|------|
| IF IT IS FOUND DESIRABLE TO CHANGE ANY TOLERANCE OR OTHER DETAIL SPECIFIED ON THIS DRAWING NOTIFY THE PURCHASER PROMPTLY. | | DIMENSIONS IN INCHES UNLESS OTHERWISE SPECIFIED. | | | | | |
| MAXIMUM ALLOWABLE TOLERANCES HAVE BEEN DETERMINED AND DEVIATIONS WILL BE CAUSE FOR REJECTION. REMOVE ALL BURRS AND SHARP EDGES. | | | | | | | |
| ISSUE | ITEM | CHANGED FROM | DATE | BY NO. | DRAFTS | CHECKER | APP. |
| 0 | | REL TO PROD | 12-10-66 | | RD | | |

| | | | | |
|------|------|----------|-------------|--------|
| REV. | ITEM | PART NO. | DESCRIPTION | SYMBOL |
|------|------|----------|-------------|--------|



CK10506 0

UNLESS OTHERWISE SPECIFIED:
 ALL RESISTORS 1/2 WATT
 ALL RESISTANCE VALUES IN OHMS
 ALL INDUCTANCE VALUES IN μh
 TRANSISTOR 2N2495 = TMC NO TX109
 TRANSISTOR 2N2084 = TMC NO TX113

| | |
|--|---|
| TOLERANCES | SCALE |
| ALL DIMENSIONS DEC DIM FRACTIONAL DIM ANGULAR DIM | DRAWN TO COMMERCIAL STANDARDS SIZES AND MANUFACTURERS TOLERANCES ARE NOT INCLUDED |

| | | |
|----------|-------------|------------|
| TTRR-2 B | 005/66 | 28 SEPT 66 |
| MODEL | PROJECT NO. | DATE |

TMC (Canada) LIMITED
 OTTAWA ONTARIO

SCHEMATIC

RD
 DRAWN
 ARCHARD

CK10506 0