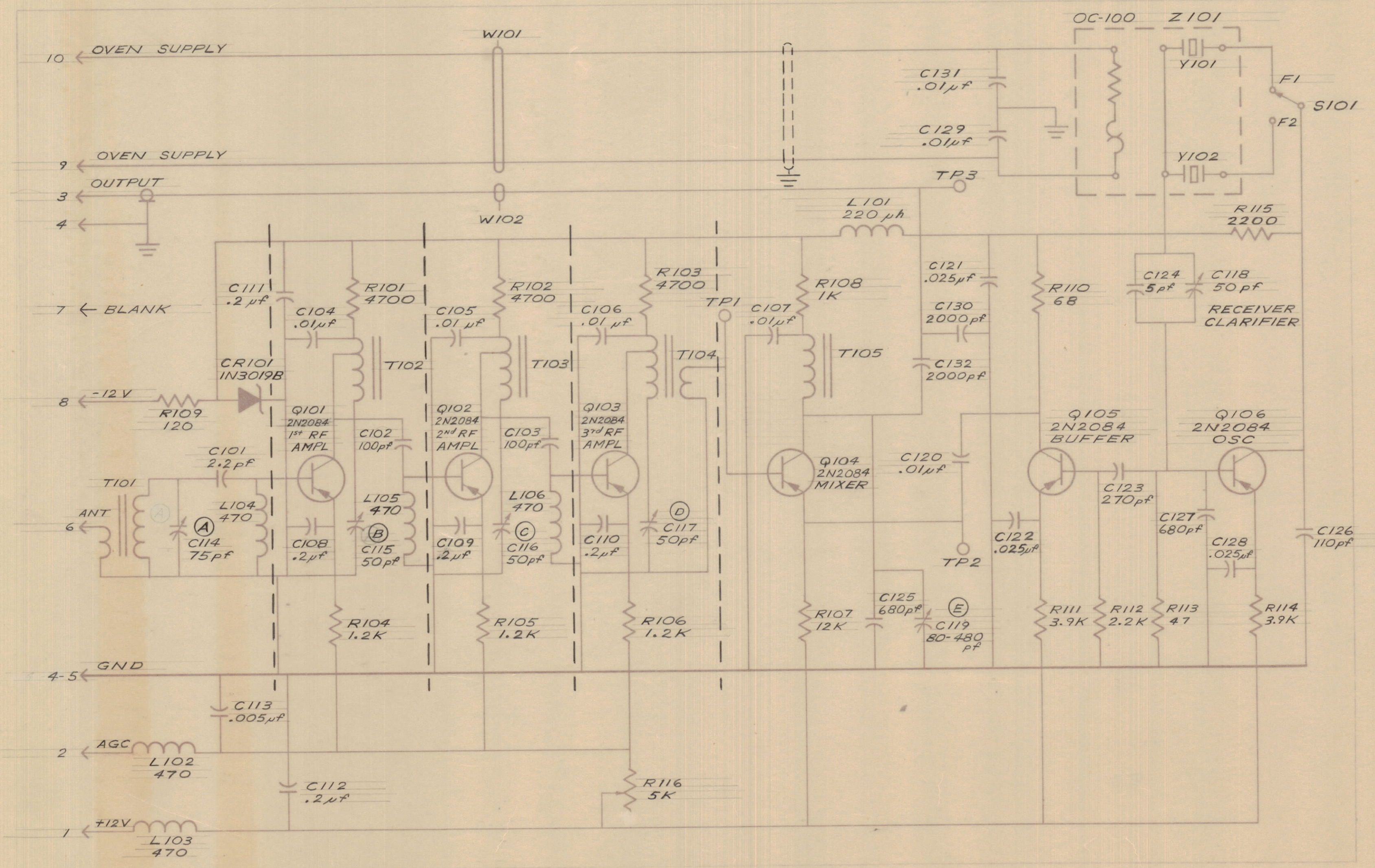


| | | | |
|--|------|---|----------|
| IF IT IS FOUND DESIRABLE TO CHANGE ANY TOLERANCE OR OTHER DETAIL SPECIFIED ON THIS DRAWING NOTIFY THE PURCHASER PROMPTLY | | DIMENSIONS IN INCHES UNLESS OTHERWISE SPECIFIED | |
| MAXIMUM ALLOWABLE TOLERANCES HAVE BEEN DETERMINED AND DEVIATIONS WILL BE CAUSE FOR REJECTION WITHOUT ALL BURRS AND SHARP EDGES | | | |
| REV | ITEM | CHANGED FROM | DATE |
| 0 | | REL. TO PROD | 12-10-66 |
| | | | RD |

| | | | | |
|-----|------|---------|-------------|--------|
| REV | ITEM | PART NO | DESCRIPTION | SYMBOL |
|-----|------|---------|-------------|--------|



CK10505 φ

UNLESS OTHERWISE SPECIFIED
 ALL RESISTORS 1/2 WATT
 ALL RESISTANCE VALUES IN OHMS
 ALL INDUCTANCE VALUES IN μh
 TRANSISTOR 2N2495 = TMC NO TX109
 TRANSISTOR 2N2084 = TMC NO TX113

ROBERT

| | |
|------------|--------------------------------|
| TOLERANCES | SCALE |
| ALL OTHERS | DRILL, PUNCH, COMMERCIAL STOCK |
| ANGULAR | SIZES AND MANUFACTURERS |
| | TOLERANCES ARE NOT INCLUDED |

| | | |
|---------|------------|------------|
| TTRR-1B | 005/66 | 27 SEPT 66 |
| MODEL | PROJECT NO | DATE |
| | | |

| | |
|--|-----------|
| TMC (Canada) LIMITED OTTAWA ONTARIO | |
| SCHEMATIC | |
| RD | |
| ARCHARD | CK10505 φ |