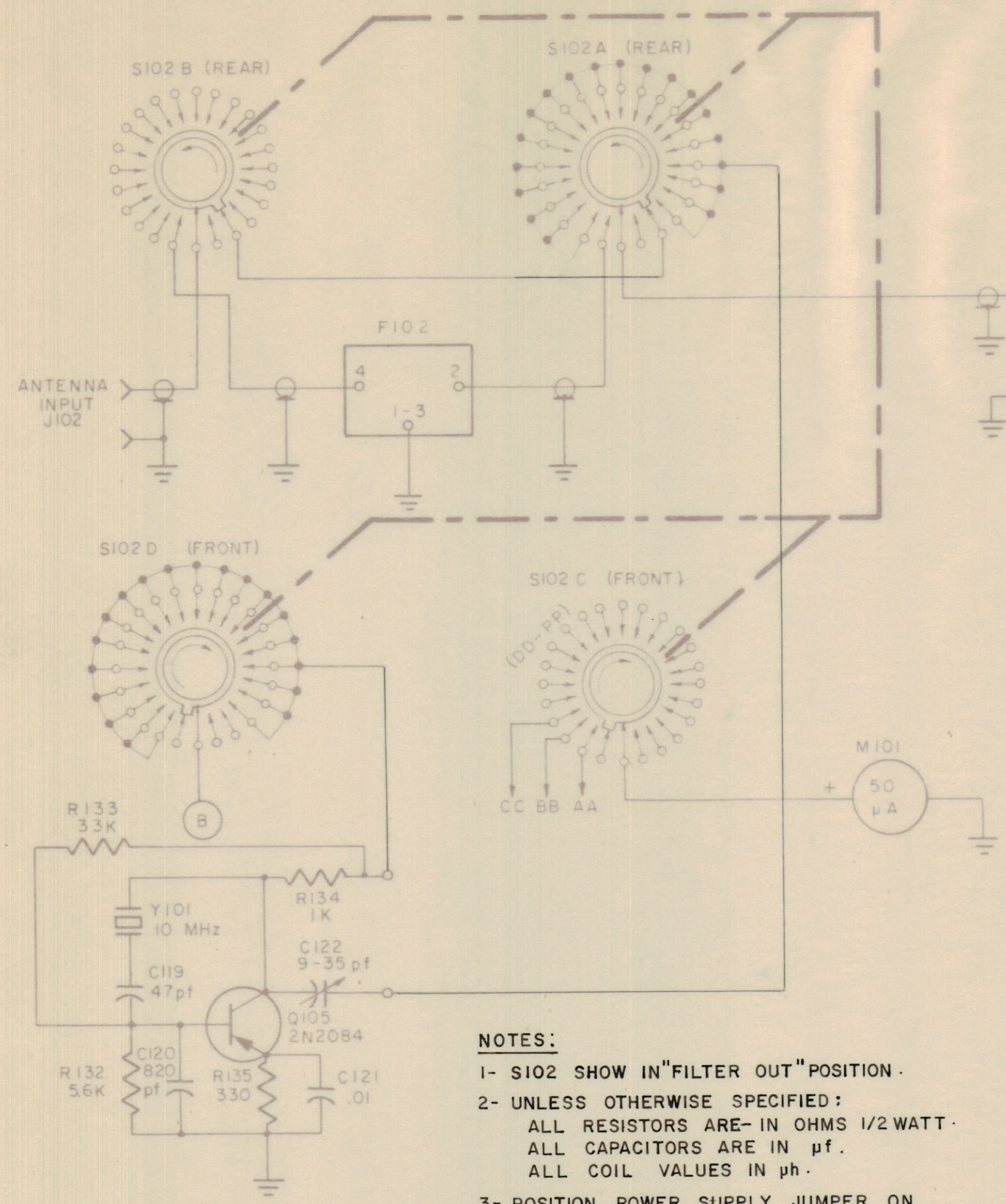
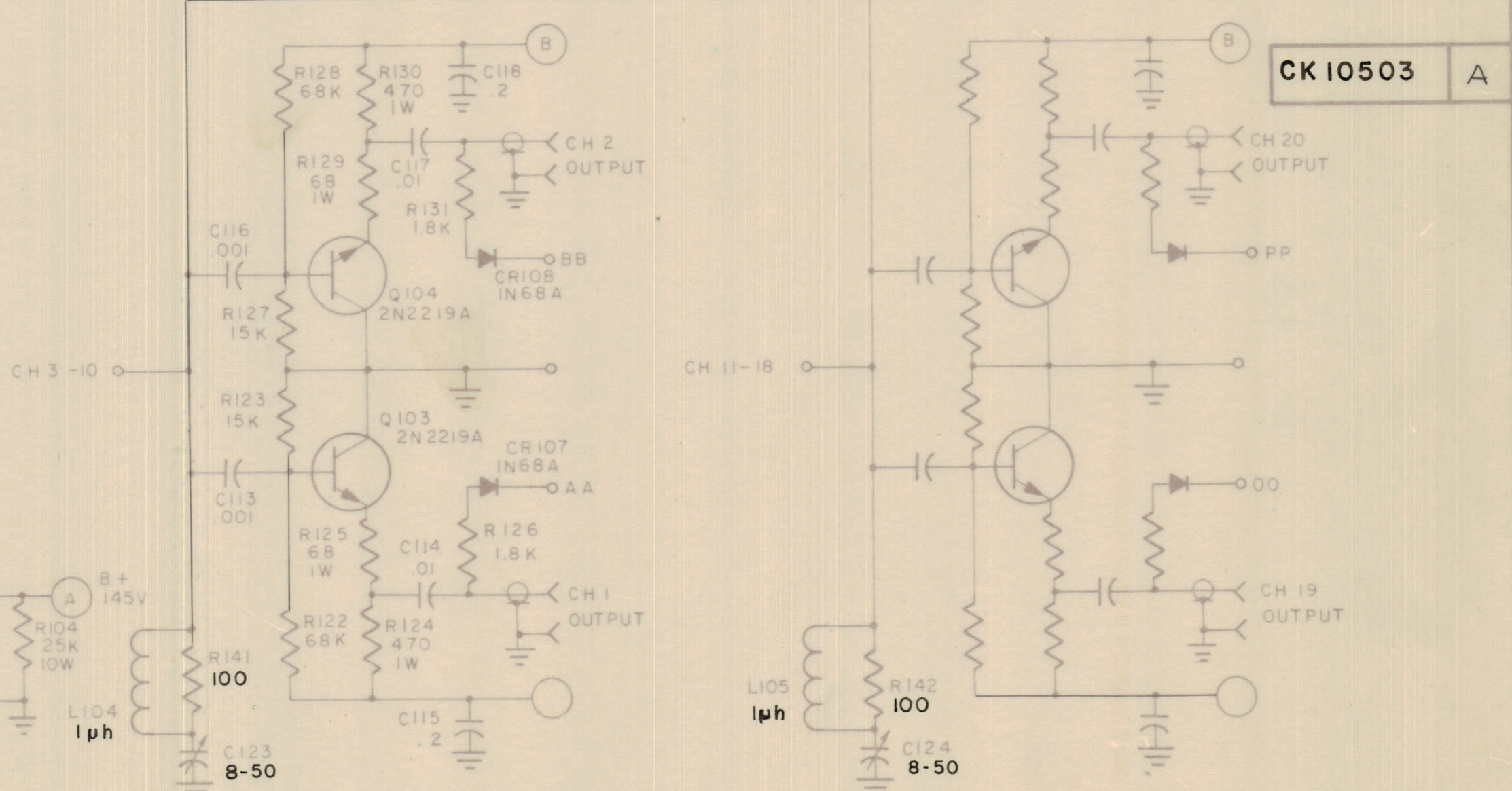
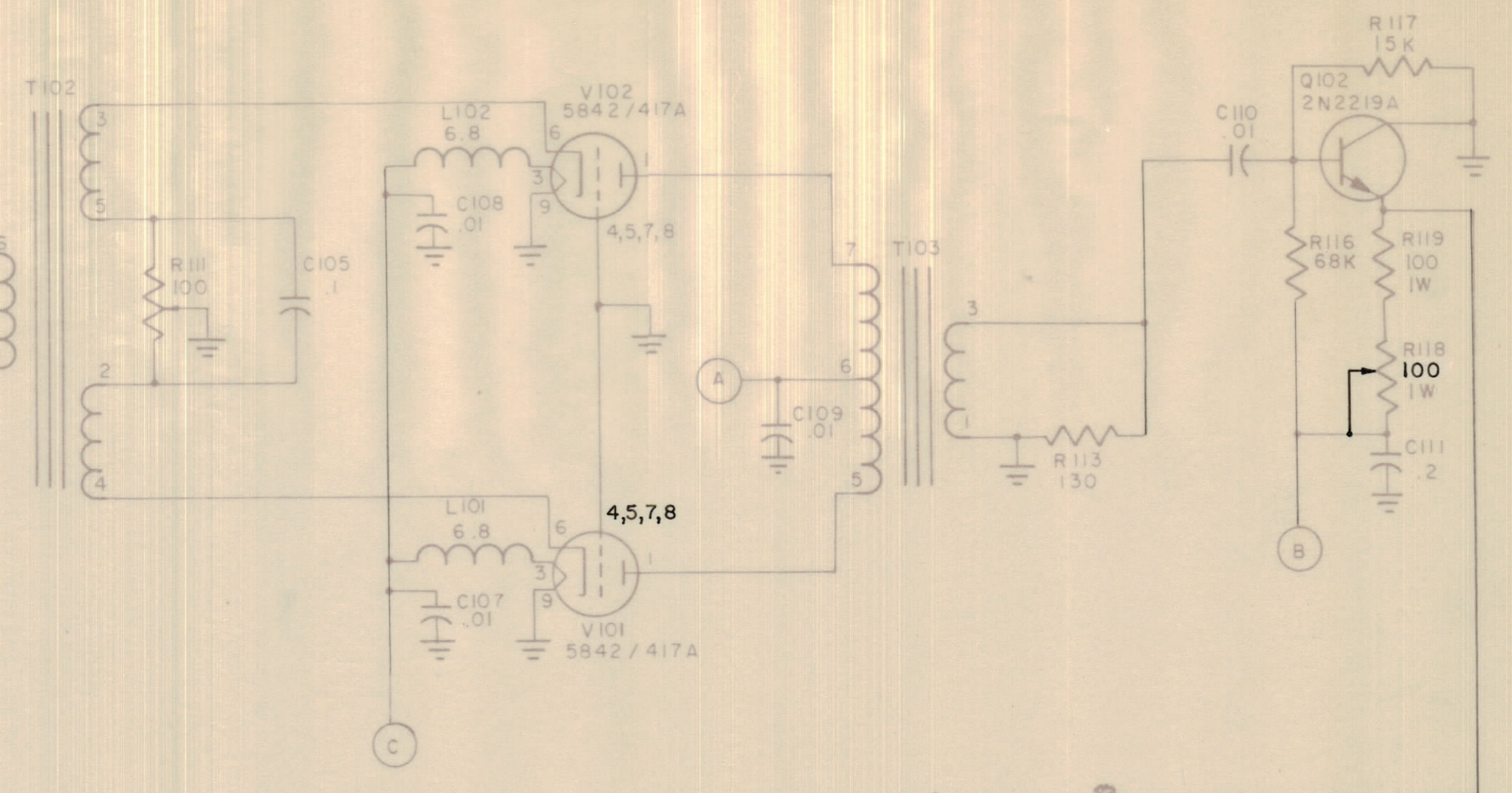


IF IT IS FOUND DESIRABLE TO CHANGE ANY TOLERANCE OR OTHER DETAIL SPECIFIED ON THIS DRAWING NOTIFY THE PURCHASER PROMPTLY		DIMENSIONS IN INCHES UNLESS OTHERWISE SPECIFIED	
MAXIMUM ALLOWABLE TOLERANCES HAVE BEEN DETERMINED AND DEVIATIONS WILL BE CAUSE FOR REJECTION REMOVE ALL BURRS AND SHARP EDGES			
REV	ITEM	CHANGED FROM	DATE
A		REDRAWN	24-10-66
			CR NO
			DRAWN
			CHECKER
			ENG APP

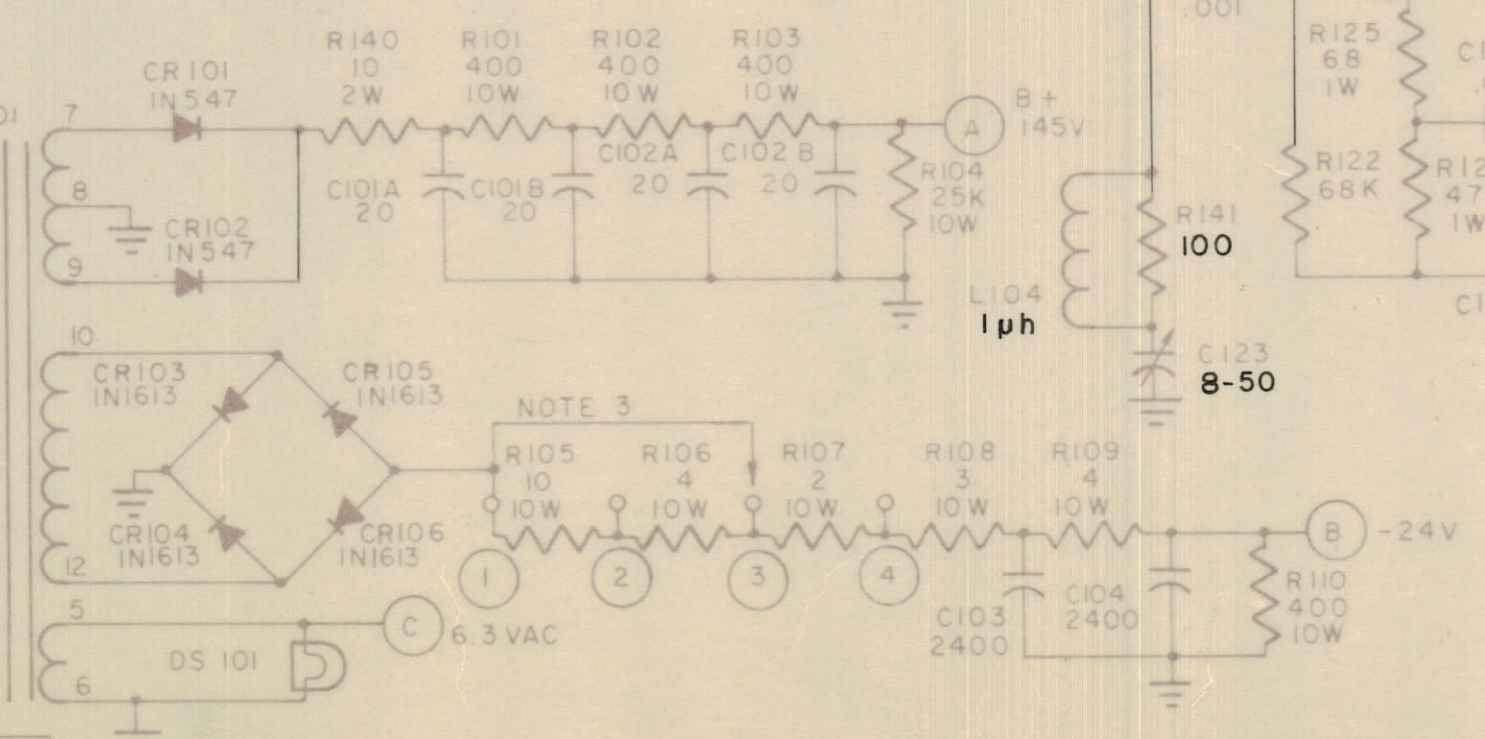
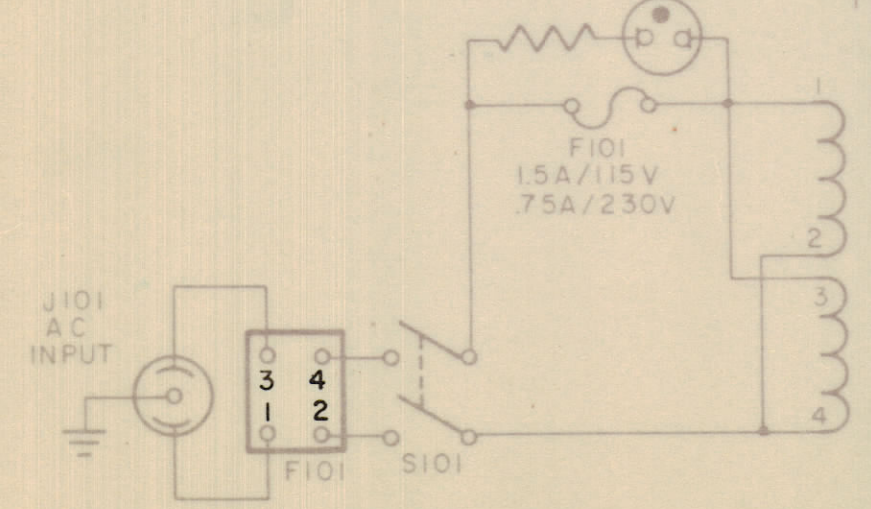
REQ	ITEM	PART NO	DESCRIPTION	SYMBOL
-----	------	---------	-------------	--------



- NOTES:**
- 1- SIO2 SHOW IN "FILTER OUT" POSITION.
 - 2- UNLESS OTHERWISE SPECIFIED:
ALL RESISTORS ARE IN OHMS 1/2 WATT.
ALL CAPACITORS ARE IN pf.
ALL COIL VALUES IN μ h.
 - 3- POSITION POWER SUPPLY JUMPER ON POSITION "3".



FUSE SOCKETS ARE OF THE INDICATING TYPE.



TOLERANCES	SCALE
ALL DIMENSIONS UNLESS OTHERWISE SPECIFIED	DRAWN BY
ANGULAR DIMENSIONS	CHECKED BY
	MECH DES APP
	ELEC DES APP
	ENG APP

AMC 20-20	039/66	9 AUG 66
MODEL	PROJECT NO	DATE
	ASSY NO	
	USED ON	

TMC (Canada) LIMITED OTTAWA ONTARIO	
SCHEMATIC DIAGRAM	
AMC 20-20	
STOCK SIZE	
MATERIAL	WEIGHT PER PC
TYPE & TEMPER	
HEAT TREAT SPEC	
FINISH & SPEC NO	
R D	
CHECKED	
COOK	
CK 10503	A