

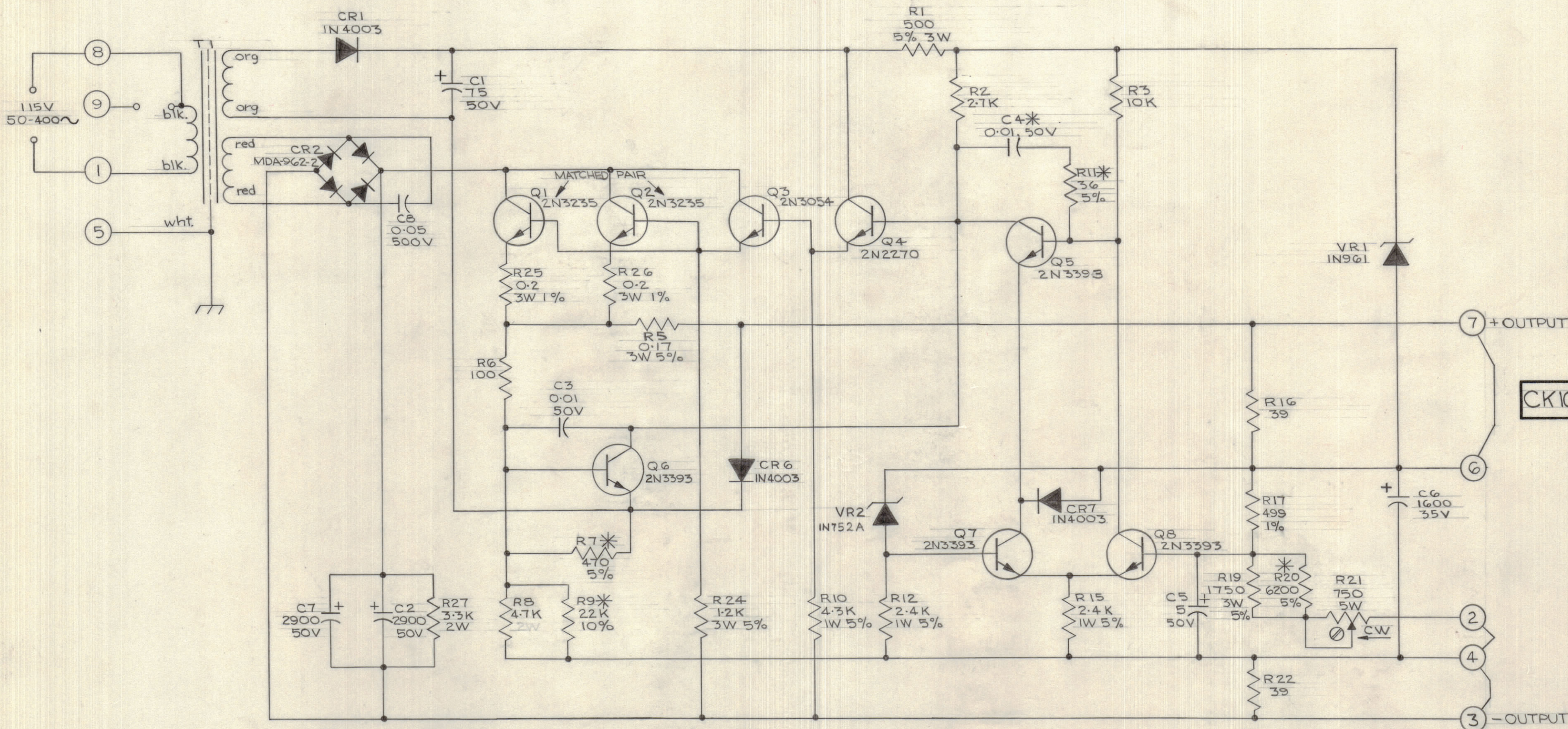
IF IT IS FOUND DESIRABLE TO CHANGE ANY TOLERANCE OR OTHER DETAIL SPECIFIED ON THIS DRAWING NOTIFY THE PURCHASER PROMPTLY.

DIMENSIONS IN INCHES UNLESS OTHERWISE SPECIFIED

MAXIMUM ALLOWABLE TOLERANCES HAVE BEEN DETERMINED AND DEVIATIONS WILL BE CAUSE FOR REJECTION. REMOVE ALL BURRS AND SHARP EDGES.

ISSUE	ITEM	CHANGED FROM	DATE	CN. NO.	DRAFTS	CHECKER	ENG. APP.
Ø		REL TO PROD	7-7-66		RD		
A		Q5 WAS Q3394	SEPT 19/67	DREVO	RPL		

REQ.	ITEM	PART NO.	DESCRIPTION	SYMBOL
------	------	----------	-------------	--------



- NOTES:
- UNLESS OTHERWISE SPECIFIED
 - ALL RESISTORS ARE 1/2 WATT.
 - ALL RESISTORS ARE $\pm 10\%$.
 - ALL RESISTANCES ARE IN OHMS.
 - ALL CAPACITOR VALUES ARE IN MICROFARADS.
 - * INDICATES CALIBRATION COMPONENTS, WHICH MAY VARY AMONG INDIVIDUAL UNITS.

TOLERANCES		SCALE:
ALL OTHERS	DEC. DIM. \pm FRAC. DIM. \pm ANGULAR DIM. \pm	DRILL, PUNCH, COMMERCIAL STOCK SIZES AND MANUFACTURERS TOLERANCES ARE NOT INCLUDED.

AX10030	050/66	JULY 6/66
MODEL	PROJECT NO.	DATE

STOCK SIZE		TMC (Canada) LIMITED OTTAWA ONTARIO	
MATERIAL		SCHEMATIC, INDIVIDUAL	
WEIGHT PER PC.		POWER SUPPLY	
TYPE & TEMPER.		GAM	
HEAT TREAT. SPEC.		DRAWN	ELEC. DES. APP. MECH. DES. APP.
FINISH & SPEC. NO.		CHECKED AUBREY	FINAL APPROVAL
		CK10502 A	