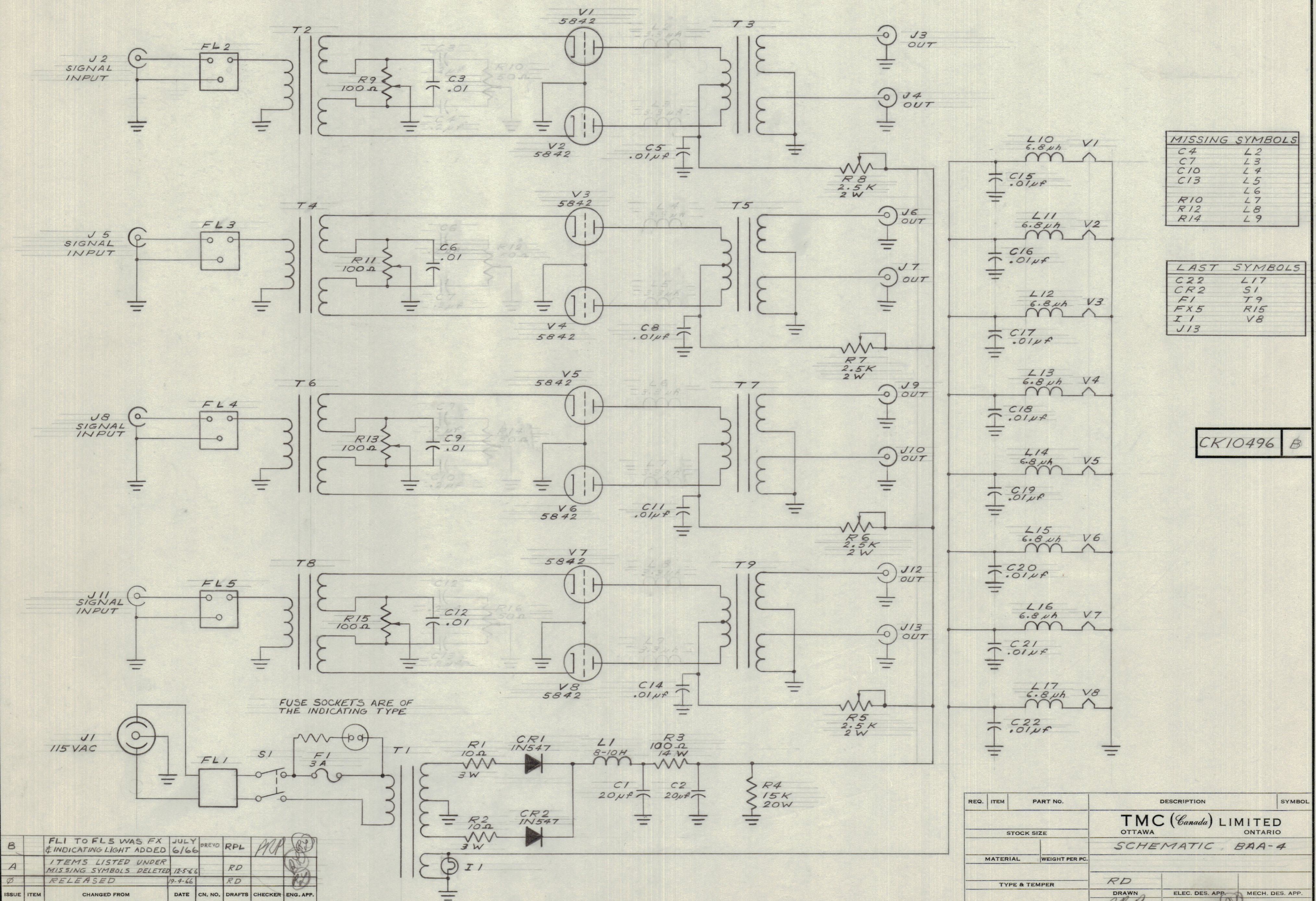


IF IT IS FOUND DESIRABLE TO CHANGE ANY TOLERANCE OR OTHER DETAIL SPECIFIED ON THIS DRAWING NOTIFY THE PURCHASER PROMPTLY.

MAXIMUM ALLOWABLE TOLERANCES HAVE BEEN DETERMINED AND DEVIATIONS WILL BE CAUSE FOR REJECTION. REMOVE ALL BURRS AND SHARP EDGES



MISSING SYMBOLS	
C4	L2
C7	L3
C10	L4
C13	L5
	L6
R10	L7
R12	L8
R14	L9

LAST SYMBOLS	
C22	L17
CR2	S1
F1	T9
FX5	R15
I1	V8
J13	

CK10496 B

FUSE SOCKETS ARE OF THE INDICATING TYPE

B	FL1 TO FL5 WAS FX & INDICATING LIGHT ADDED	JULY 6/66	DREVO	RPL			
A	ITEMS LISTED UNDER MISSING SYMBOLS DELETED	12-5-66		RD			
∅	RELEASED	10-9-66		RD			
ISSUE	ITEM	CHANGED FROM	DATE	CN. NO.	DRAFTS	CHECKER	ENG. APP.
TOLERANCES		SCALE:					
ALL OTHERS	DEC. DIM. ± FRAC. DIM. ± ANGULAR DIM. ±	DRILL, PUNCH, COMMERCIAL STOCK SIZES AND MANUFACTURERS TOLERANCES ARE NOT INCLUDED.					

BAA4	049/66	19 APR 66
MODEL	PROJECT NO.	ASS'Y. NO.
USED ON		

REQ.	ITEM	PART NO.	DESCRIPTION	SYMBOL
TMC (Canada) LIMITED OTTAWA ONTARIO				
SCHEMATIC BAA-4				
MATERIAL		WEIGHT PER PC.		
TYPE & TEMPER		RD		
HEAT TREAT. SPEC.		DRAWN ELEC. DES. APP. MECH. DES. APP.		
FINISH & SPEC. NO.		CHECKED FINAL APPROVAL PLUMMER		
		CK10496 B		