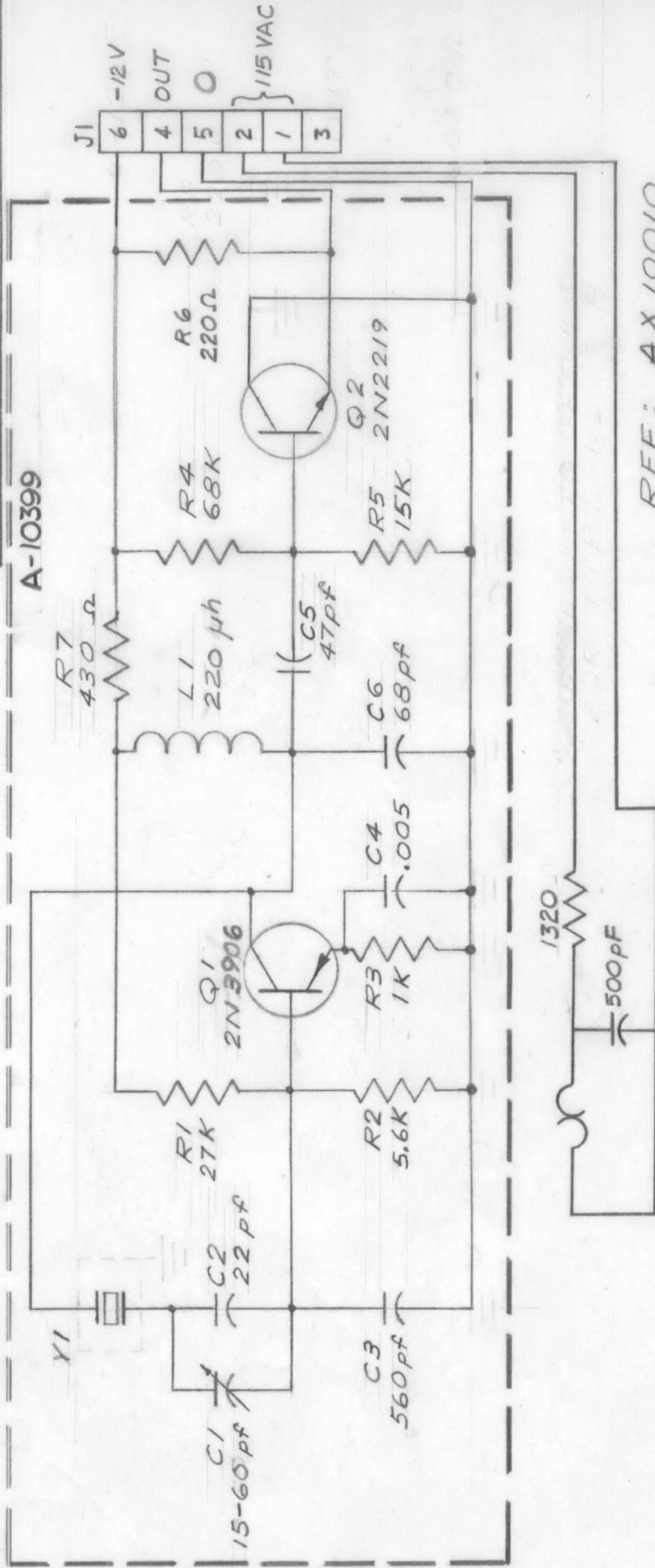


IF IT IS FOUND DESIRABLE TO CHANGE ANY TOLERANCE OR OTHER DETAIL SPECIFIED ON THIS DRAWING NOTIFY THE PURCHASER PROMPTLY.

MAXIMUM ALLOWABLE TOLERANCES HAVE BEEN DETERMINED AND DEVIATIONS WILL BE CAUSE FOR REJECTION. REMOVE ALL BURRS AND SHARP EDGES

USED ON

MODEL	PROJECT NO.	ASS'Y. NO.	DATE
TTRT(18)	005/66		10-2-66
TTRT(1D)	059/67		27-9-67



REF: AX 10010

REQ.	ITEM	PART NO.	DESCRIPTION	SYMBOL
			TMC(Canada) LIMITED OTTAWA ONTARIO	
			SCHEMATIC	
			TRANSMITTER OSCILLATOR	
			RD	
			DRAWN	
			ELEC. DES. APP.	MECH. DES. APP.
			CHECKED	FINAL APPROVAL
			CK10474	C

REV	AS PER CEMN	DATE	CN. NO.	DRAFTS	CHECKER	ENG. APP.
C	REV AS PER CEMN	SEPT 25/67	292	RPL		
B	REV. TO CEMN	10/8/67	272	GM		
A	REV TO CEMN	30/10/66	247	AP		
Ø	REL FOR PROD.	FEB 11/66		GM		

SCALE	TOLERANCES
DIMENSIONS IN INCHES UNLESS OTHERWISE SPECIFIED	DEC. DIM. ±
DRILL, PUNCH, COMMERCIAL STOCK SIZES AND MANUFACTURERS TOLERANCES ARE NOT INCLUDED.	FRAC. DIM. ±
	ANGULAR DIM. ±