

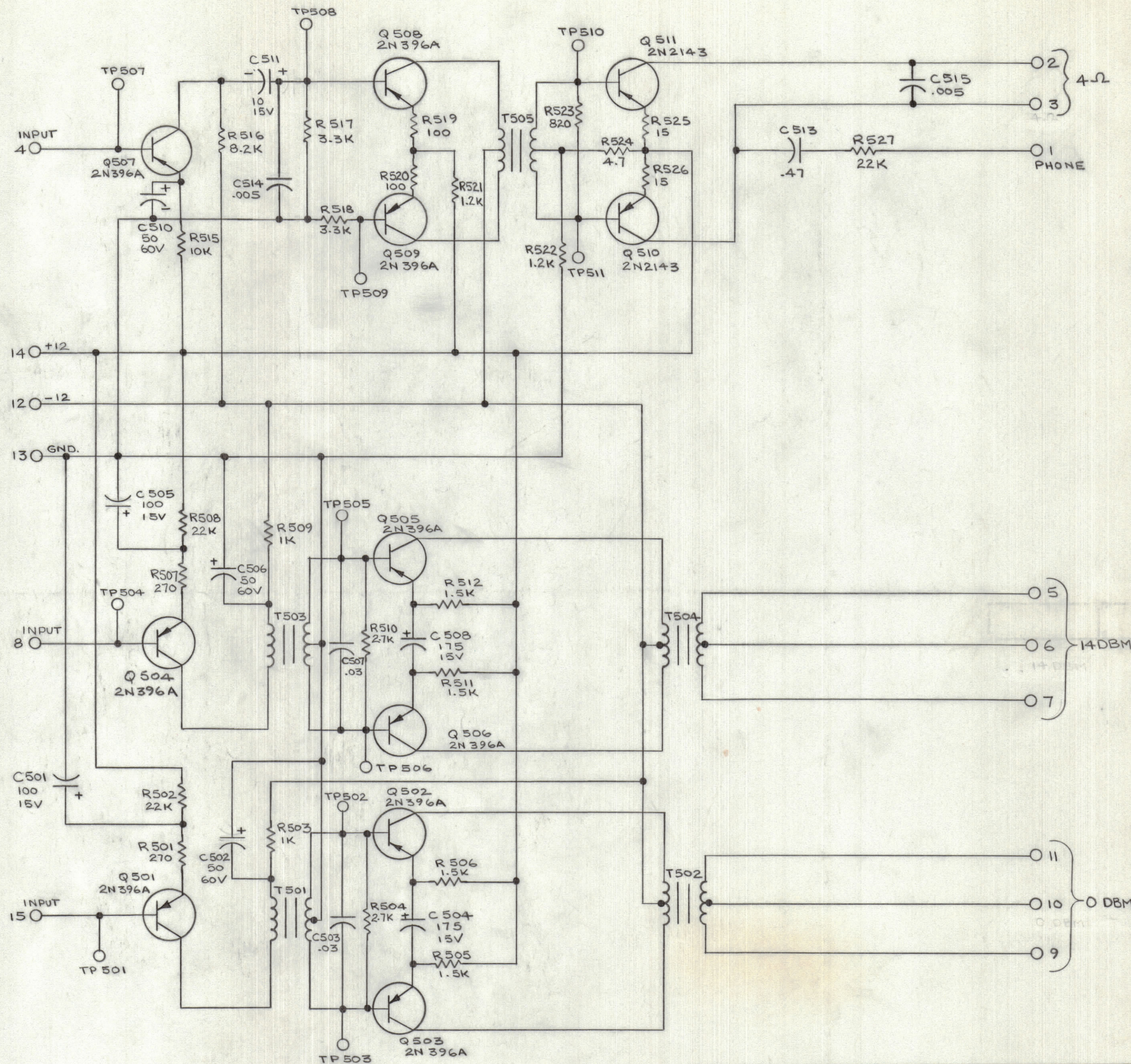
IF IT IS FOUND DESIRABLE TO CHANGE ANY TOLERANCE OR OTHER DETAIL SPECIFIED ON THIS DRAWING NOTIFY THE PURCHASER PROMPTLY.

DIMENSIONS IN INCHES UNLESS OTHERWISE SPECIFIED

MAXIMUM ALLOWABLE TOLERANCES HAVE BEEN DETERMINED AND DEVIATIONS WILL BE CAUSE FOR REJECTION. REMOVE ALL BURRS AND SHARP EDGES.

ISSUE	ITEM	CHANGED FROM	DATE	CN. NO.	DRAFTS	CHECKER	ENG. APP.
0		RELEASED FOR PROD.	MAR 3/66		RPL		

REQ.	ITEM	PART NO.	DESCRIPTION	SYMBOL
------	------	----------	-------------	--------



LAST SYMBOLS	MISSING SYMBOLS
C 515	C 509
Q 511	C 512
R 527	R 513
T 505	R 514
TP 511	

UNLESS OTHERWISE SPECIFIED
 ALL RESISTORS TO BE IN OHMS, 1/2 W
 ALL CAPACITORS TO BE IN μ f

TOLERANCES	SCALE:
ALL OTHERS	DEC. DIM. \pm FRAC. DIM. \pm ANGULAR DIM. \pm
	DRILL, PUNCH, COMMERCIAL STOCK SIZES AND MANUFACTURERS TOLERANCES ARE NOT INCLUDED.

VLRE-1	035/66	MARCH 2/66
MODEL	PROJECT NO.	DATE
	ASS'Y. NO.	

STOCK SIZE		TMC (Canada) LIMITED OTTAWA ONTARIO	
MATERIAL		DIAGRAM, SCHEMATIC	
WEIGHT PER PC.		AUDIO BOARD	
TYPE & TEMPER.		RPL	
HEAT TREAT. SPEC.		DRAWN	ELEC. DES. APP.
FINISH & SPEC. NO.		CHECKED	FINAL APPROVAL
		CK10468	