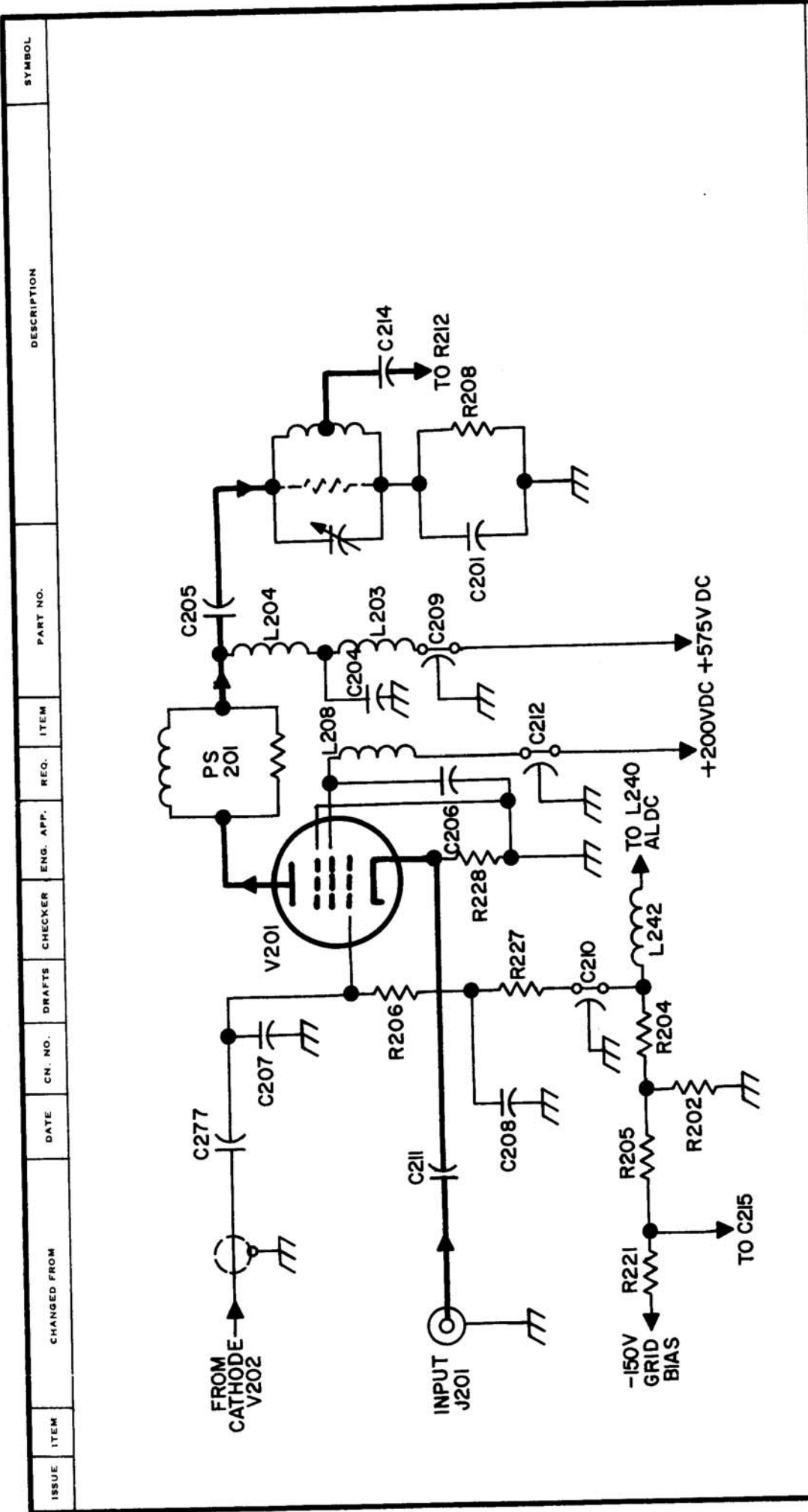


CK10419



ISSUE	ITEM	CHANGED FROM	DATE	CN. NO.	DRAFTS	CHECKER	ENG. APP.	REQ.	ITEM	PART NO.	DESCRIPTION	SYMBOL
<p style="text-align: center;">T M C (Canada) LIMITED OTTAWA ONTARIO</p> <p style="text-align: center;">SIMPLIFIED CIRCUIT V201</p> <p style="text-align: center;">FIGURE 4-2</p>												
<p>PAL-1K</p>			<p>AUG. 11, 1961</p>			<p>JPC</p>			<p><i>M. W.</i></p>			
<p>MODEL</p>			<p>PROJECT NO.</p>			<p>STOCK SIZE</p>			<p>WEIGHT PER PC.</p>			
<p>USED ON</p>			<p>DATE</p>			<p>MATERIAL</p>			<p>TYPE & TEMPER</p>			
<p>MAXIMUM ALLOWABLE TOLERANCES HAVE BEEN DETERMINED AND DEVIATIONS WILL BE CAUSE FOR REJECTION. REMOVE ALL BURRS AND SHARP EDGES</p>			<p>IF IT IS FOUND DESIRABLE TO CHANGE ANY TOLERANCE OR OTHER DETAIL SPECIFIED ON THIS DRAWING NOTIFY THE PURCHASER PROMPTLY.</p>			<p>HEAT TREAT. SPEC.</p>			<p>FINAL APPROVAL</p>			
<p>TOLERANCES</p>			<p>SCALE</p>			<p>DIMENSIONS IN INCHES</p>			<p>CHECKED</p>			
<p>DEC. DIM. ±</p>			<p>UNLESS OTHERWISE SPECIFIED</p>			<p>FINISH & SPEC. NO.</p>			<p>CK10419</p>			
<p>ALL OTHERS</p>			<p>DRILL. PUNCH. COMMERCIAL STOCK SIZES AND MANUFACTURERS TOLERANCES ARE NOT INCLUDED.</p>			<p>ELEC. DES. APP.</p>			<p>MECH. DES. APP.</p>			