

IF IT IS FOUND DESIRABLE TO CHANGE ANY TOLERANCE OR OTHER DETAIL SPECIFIED ON THIS DRAWING NOTIFY THE PURCHASER PROMPTLY.

MAXIMUM ALLOWABLE TOLERANCES HAVE BEEN DETERMINED AND DEVIATIONS WILL BE CAUSE FOR REJECTION. REMOVE ALL BURRS AND SHARP EDGES

**NOTE 1** These terminals may be used for an external key, but are disconnected when a key plug is inserted in the front panel jack.

**NOTE 2** Terminals for external PTT if required on "LINE" position of switch.

**NOTE 3** Use screened twin-wire cable as shown.

**NOTE 4** These lines are unbalanced and thus whichever wire is grounded at one end must be grounded at the other end.

**NOTE 5** If line loop resistance > 1000 ohm, connect to 4  
If line loop resistance < 1000 ohm, connect to 5

**NOTE 6** If line loop resistance > 1000 ohm, connect to 7  
If line loop resistance < 1000 ohm, connect to 8

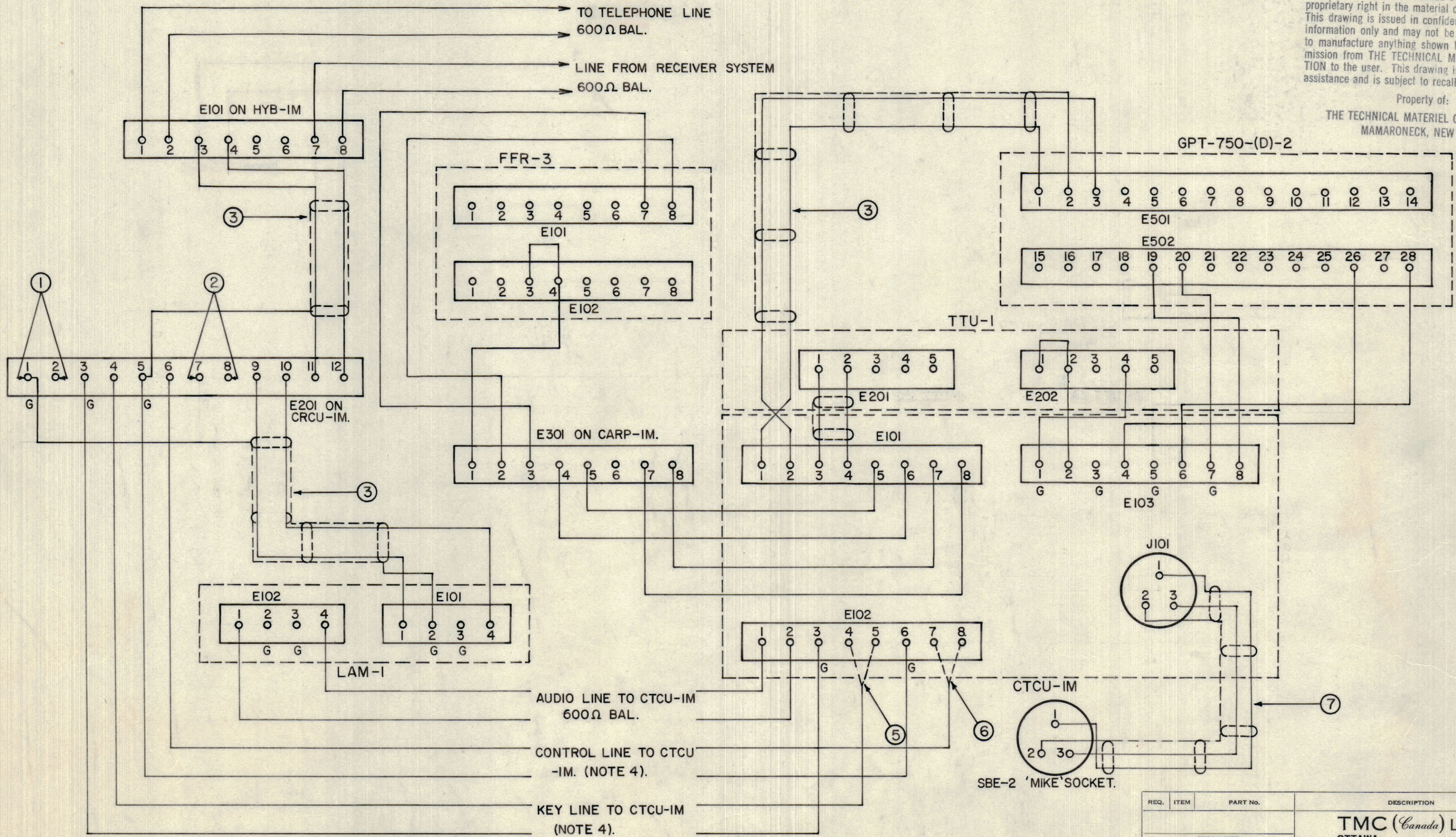
**NOTE 7** This cable required only if microphone to be used with CTCU-1M and not direct into SBE-2.

**NOTICE TO PERSONS RECEIVING THIS DRAWING**

THE TECHNICAL MATERIEL CORPORATION claims proprietary right in the material disclosed hereon. This drawing is issued in confidence for engineering information only and may not be reproduced or used to manufacture anything shown hereon without permission from THE TECHNICAL MATERIEL CORPORATION to the user. This drawing is loaned for mutual assistance and is subject to recall at any time.

Property of:

THE TECHNICAL MATERIEL CORPORATION  
MAMARONECK, NEW YORK



CK-10389

ISSUE	ITEM	CHANGED FROM	DATE	CN. NO.	DRAFTS	CHECKER	ENG. APP.
TOLERANCES		SCALE:					
ALL OTHERS	DEC. DIM. ± FRAC. DIM. ± ANGULAR DIM. ±	DRILL, PUNCH, COMMERCIAL STOCK SIZES AND MANUFACTURERS TOLERANCES ARE NOT INCLUDED.					

MODEL	PROJECT No.	ASS'Y. No.	DATE
			9/9/60.
USED ON			

REQ.	ITEM	PART No.	DESCRIPTION	SYMBOL
<b>TMC (Canada) LIMITED</b> OTTAWA ONTARIO				
<b>INTERCONNECT DIAGRAM</b>				
<b>CRCS-1</b>				
TYPE & TEMPER		JPC		
DRAWN		R. W. Thomas		
HEAT TREAT. SPEC.		ELEC. DES. APP.		
CHECKED		FINAL APPROVAL		
CK 10389				