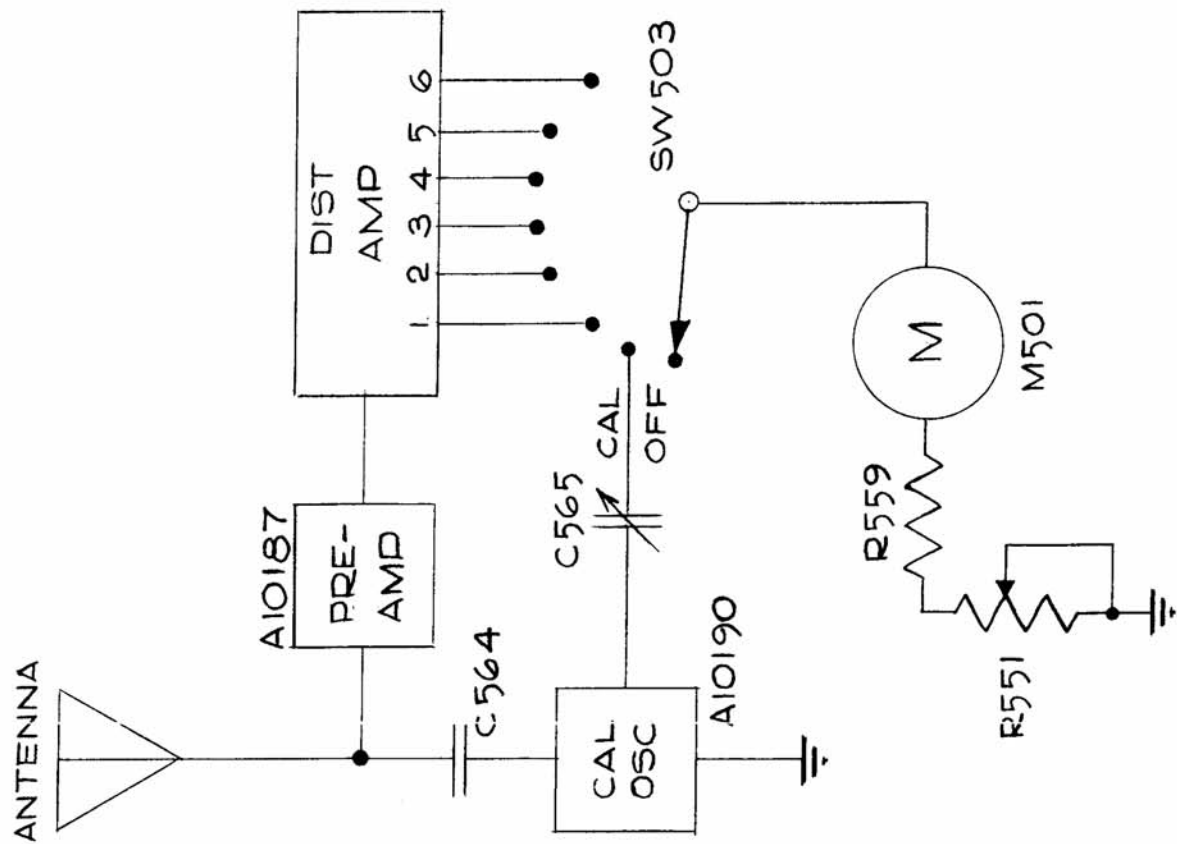


AMC6-5 DYNAMIC TEST CIRCUIT

CURRENT DESIGN



PROPOSED MODIFICATION

