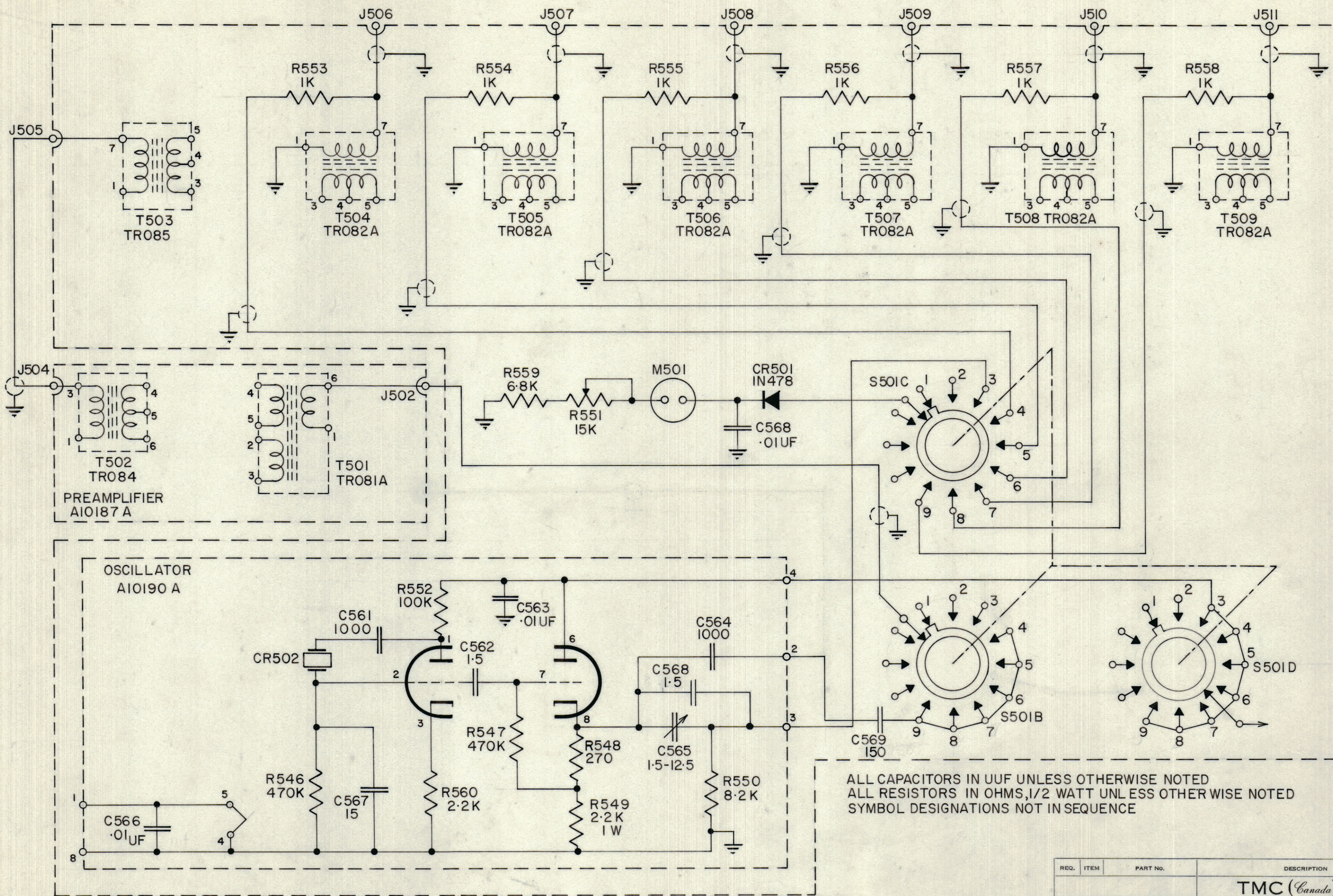


IF IT IS FOUND DESIRABLE TO CHANGE ANY TOLERANCE OR OTHER DETAIL SPECIFIED ON THIS DRAWING NOTIFY THE PURCHASER PROMPTLY.

MAXIMUM ALLOWABLE TOLERANCES HAVE BEEN DETERMINED AND DEVIATIONS WILL BE CAUSE FOR REJECTION. REMOVE ALL BURRS AND SHARP EDGES



ALL CAPACITORS IN UUF UNLESS OTHERWISE NOTED
 ALL RESISTORS IN OHMS, 1/2 WATT UNLESS OTHERWISE NOTED
 SYMBOL DESIGNATIONS NOT IN SEQUENCE

CK10346

ISSUE	ITEM	CHANGED FROM	DATE	CN. NO.	DRAFTS	CHECKER	ENG. APP.
TOLERANCES				SCALE:			
ALL OTHERS	DEC. DIM. ±	FRAC. DIM. ±	ANGULAR DIM. ±	DRILL, PUNCH, COMMERCIAL STOCK SIZES AND MANUFACTURERS TOLERANCES ARE NOT INCLUDED.			

LMC 6-5 CE 5027 NOV 30/59

MODEL PROJECT No. ASS'Y. No. DATE

USED ON

REQ.	ITEM	PART No.	DESCRIPTION	SYMBOL
STOCK SIZE			TMC (Canada) LIMITED OTTAWA ONTARIO OSCILLATOR/METERING CIRCUIT LMC 6-5	
MATERIAL				
TYPE & TEMPER			DCM	
HEAT TREAT. SPEC.				
FINISH & SPEC. No.				

DRAWN: *M. Kern*
 ELEC. DES. APP.
 MECH. DES. APP.
 CHECKED: *T. S. Coy.*
 FINAL APPROVAL
CK 10346