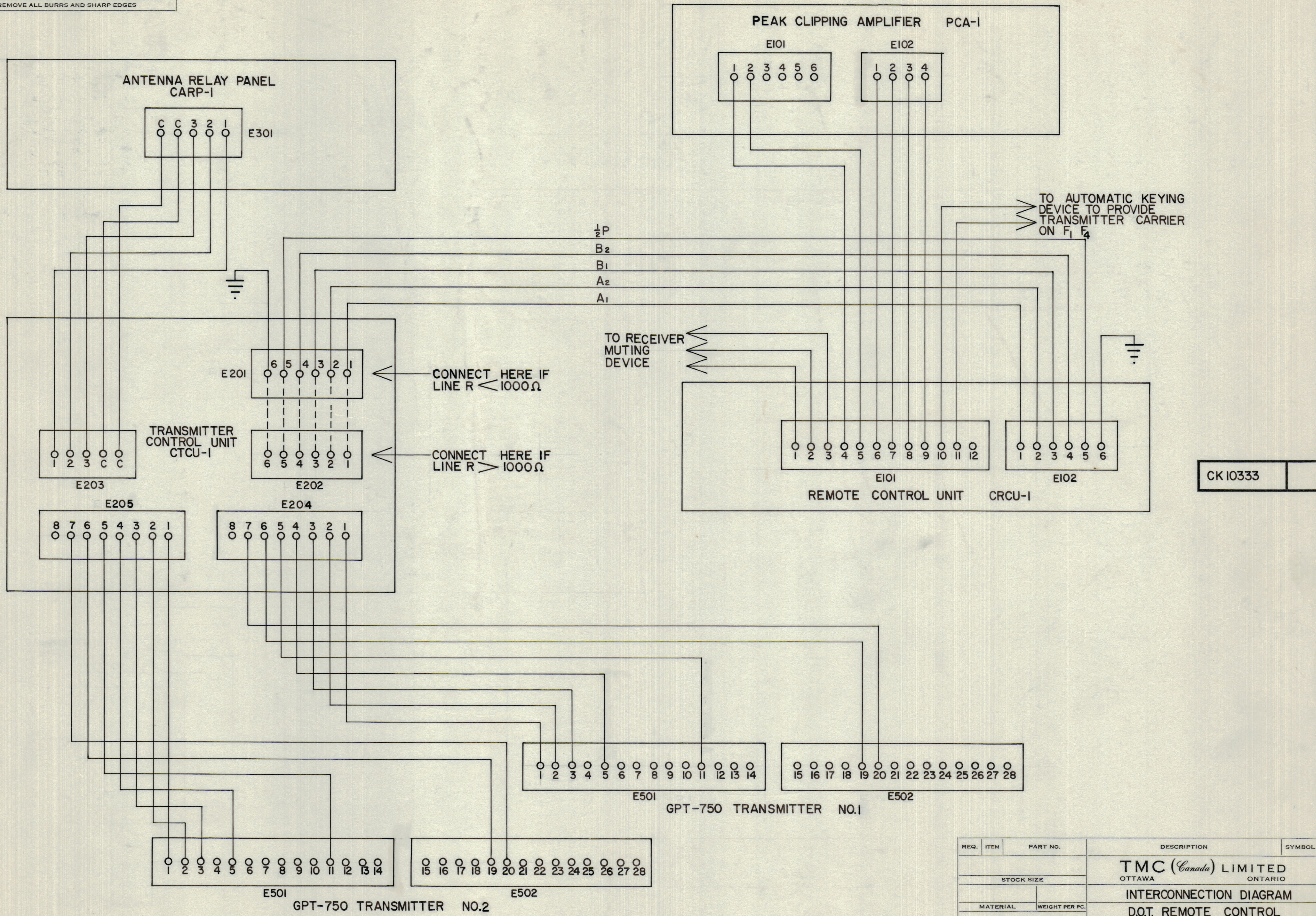


IF IT IS FOUND DESIRABLE TO CHANGE ANY TOLERANCE OR OTHER DETAIL SPECIFIED ON THIS DRAWING NOTIFY THE PURCHASER PROMPTLY.

MAXIMUM ALLOWABLE TOLERANCES HAVE BEEN DETERMINED AND DEVIATIONS WILL BE CAUSE FOR REJECTION. REMOVE ALL BURRS AND SHARP EDGES



CK 10333

ISSUE	ITEM	CHANGED FROM	DATE	CN. NO.	DRAFTS	CHECKER	ENG. APP.
TOLERANCES							
SCALE:				DRILL, PUNCH, COMMERCIAL STOCK SIZES AND MANUFACTURERS TOLERANCES ARE NOT INCLUDED.			
ALL OTHERS	DEC. DIM. ± FRAC. DIM. ± ANGULAR DIM. ±						

MODEL	PROJECT NO.	ASS'Y. NO.	DATE
CE 5004A			NOV. 1/59
USED ON			

REQ.	ITEM	PART NO.	DESCRIPTION	SYMBOL
TMC (Canada) LIMITED OTTAWA ONTARIO				
INTERCONNECTION DIAGRAM D.O.T. REMOTE CONTROL				
MATERIAL		WEIGHT PER PC.	JPC	<i>R.W. Thomas</i>
TYPE & TEMPER			DRAWN	ELEC. DES. APP. MECH. DES. APP.
HEAT TREAT. SPEC.			<i>DCM</i>	<i>T. Salp.</i>
FINISH & SPEC. NO.			CHECKED	FINAL APPROVAL
				CK 10333