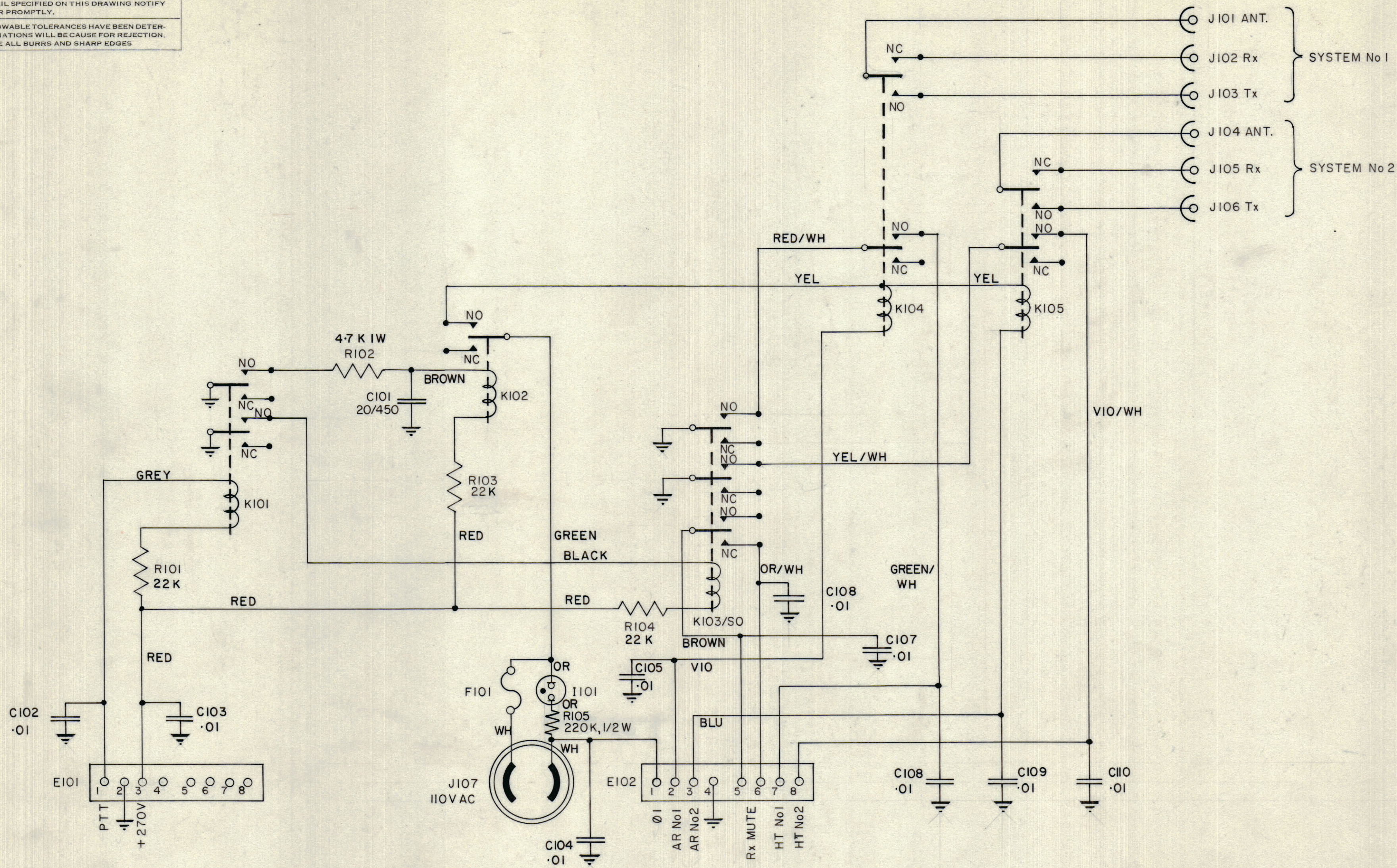


IF IT IS FOUND DESIRABLE TO CHANGE ANY TOLERANCE OR OTHER DETAIL SPECIFIED ON THIS DRAWING NOTIFY THE PURCHASER PROMPTLY.

MAXIMUM ALLOWABLE TOLERANCES HAVE BEEN DETERMINED AND DEVIATIONS WILL BE CAUSE FOR REJECTION. REMOVE ALL BURRS AND SHARP EDGES



ALL CAPACITORS IN UF UNLESS OTHERWISE SPECIFIED
ALL RESISTORS 2 W

NOTICE TO PERSONS RECEIVING THIS DRAWING

THE TECHNICAL MATERIEL CORPORATION claims proprietary right in the material disclosed hereon. This drawing is issued in confidence for engineering information only and may not be reproduced or used to manufacture anything shown hereon without permission from THE TECHNICAL MATERIEL CORPORATION to the user. This drawing is loaned for mutual assistance and is subject to recall at any time.

Property of:

THE TECHNICAL MATERIEL CORPORATION
MAMARONECK, NEW YORK

CTRP-2

P5002

JULY 14/59

MODEL	PROJECT No.	ASS'Y. No.	DATE

REQ.	ITEM	PART No.	DESCRIPTION	SYMBOL
TMC (Canada) LIMITED OTTAWA ONTARIO				
SCHEMATIC - TRANSMITTING RELAY				
PANEL CTRP-2				
DRAWN		ELEC. DES. APP. MECH. DES. APP.		
CHECKED		FINAL APPROVAL		
CK10320				

ISSUE	ITEM	CHANGED FROM	DATE	CN. NO.	DRAFTS	CHECKER	ENG. APP.
TOLERANCES							
SCALE:				DRILL, PUNCH, COMMERCIAL STOCK SIZES AND MANUFACTURERS TOLERANCES ARE NOT INCLUDED.			
ALL OTHERS	DEC. DIM. ±	FRAC. DIM. ±	ANGULAR DIM. ±				

CK10320