

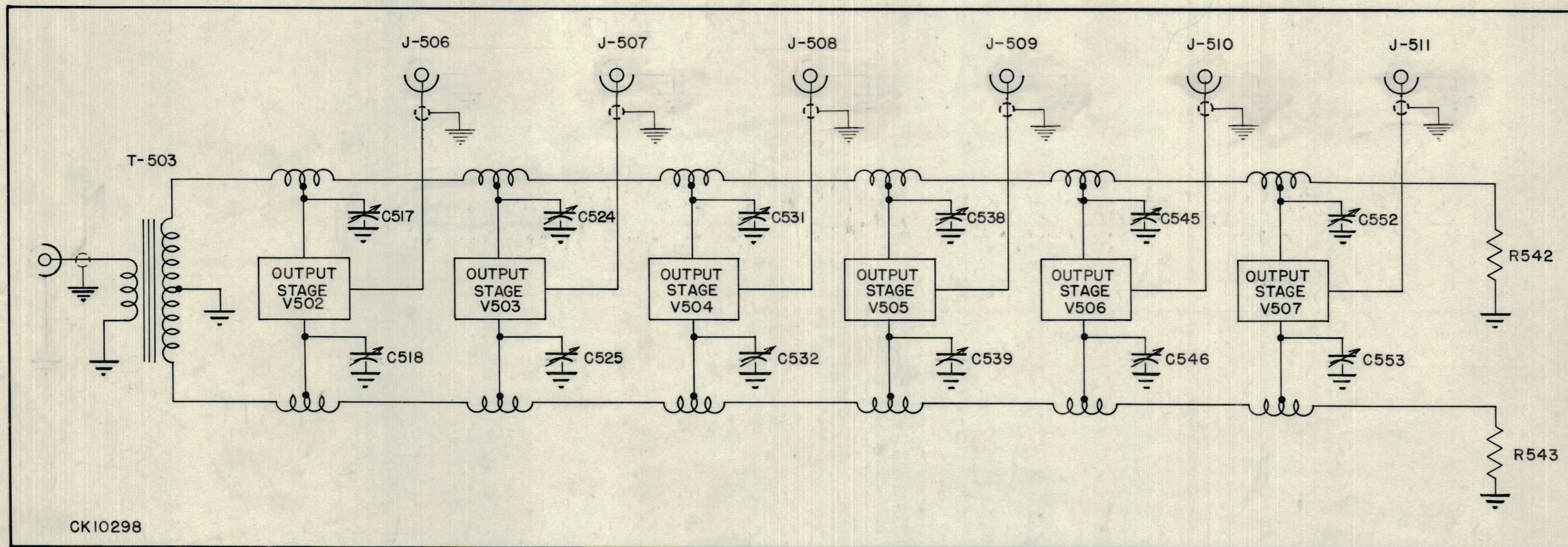
IF IT IS FOUND DESIRABLE TO CHANGE ANY TOLERANCE OR OTHER DETAIL SPECIFIED ON THIS DRAWING NOTIFY THE PURCHASER PROMPTLY.

MAXIMUM ALLOWABLE TOLERANCES HAVE BEEN DETERMINED AND DEVIATIONS WILL BE CAUSE FOR REJECTION. REMOVE ALL BURRS AND SHARP EDGES

NOTICE TO PERSONS RECEIVING THIS DRAWING

THE TECHNICAL MATERIEL CORPORATION claims proprietary right in the material disclosed herein. This drawing is issued in confidence for engineering information only and may not be reproduced or used to manufacture anything shown hereon without permission from THE TECHNICAL MATERIEL CORPORATION to the user. This drawing is loaned for mutual assistance and is subject to recall at any time.

Property of:  
THE TECHNICAL MATERIEL CORPORATION  
MAMARONECK, NEW YORK



A CK10298

FIG.2-3

ISSUE	ITEM	CHANGED FROM	DATE	CN. NO.	DRAFTS	CHECKER	ENG. APP.
A	1	SYMBOLS CHANGED ACCORDING TO GOVERNMENT STANDARDS 33-62-1 (1955)	27 JAN 1961			WHD	LSH
TOLERANCES		SCALE: —					
ALL OTHERS		DEC. DIM. ± FRAC. DIM. ± ANGULAR DIM. ±					
		DRILL, PUNCH, COMMERCIAL STOCK SIZES AND MANUFACTURERS TOLERANCES ARE NOT INCLUDED.					

MODEL	PROJECT No.	ASS'Y. No.	DATE
LMC6-5			MAR18/59
AMC6-5			
USED ON			

REQ.	ITEM	PART No.	DESCRIPTION	SYMBOL
STOCK SIZE			TMC (Canada) LIMITED OTTAWA ONTARIO	
MATERIAL				
TYPE & TEMPER			DCM	
HEAT TREAT. SPEC.			DRAWN <i>M. Krauth</i>	
FINISH & SPEC. No.			CHECKED <i>Dre</i> FINAL APPROVAL	
			CK10298 A	