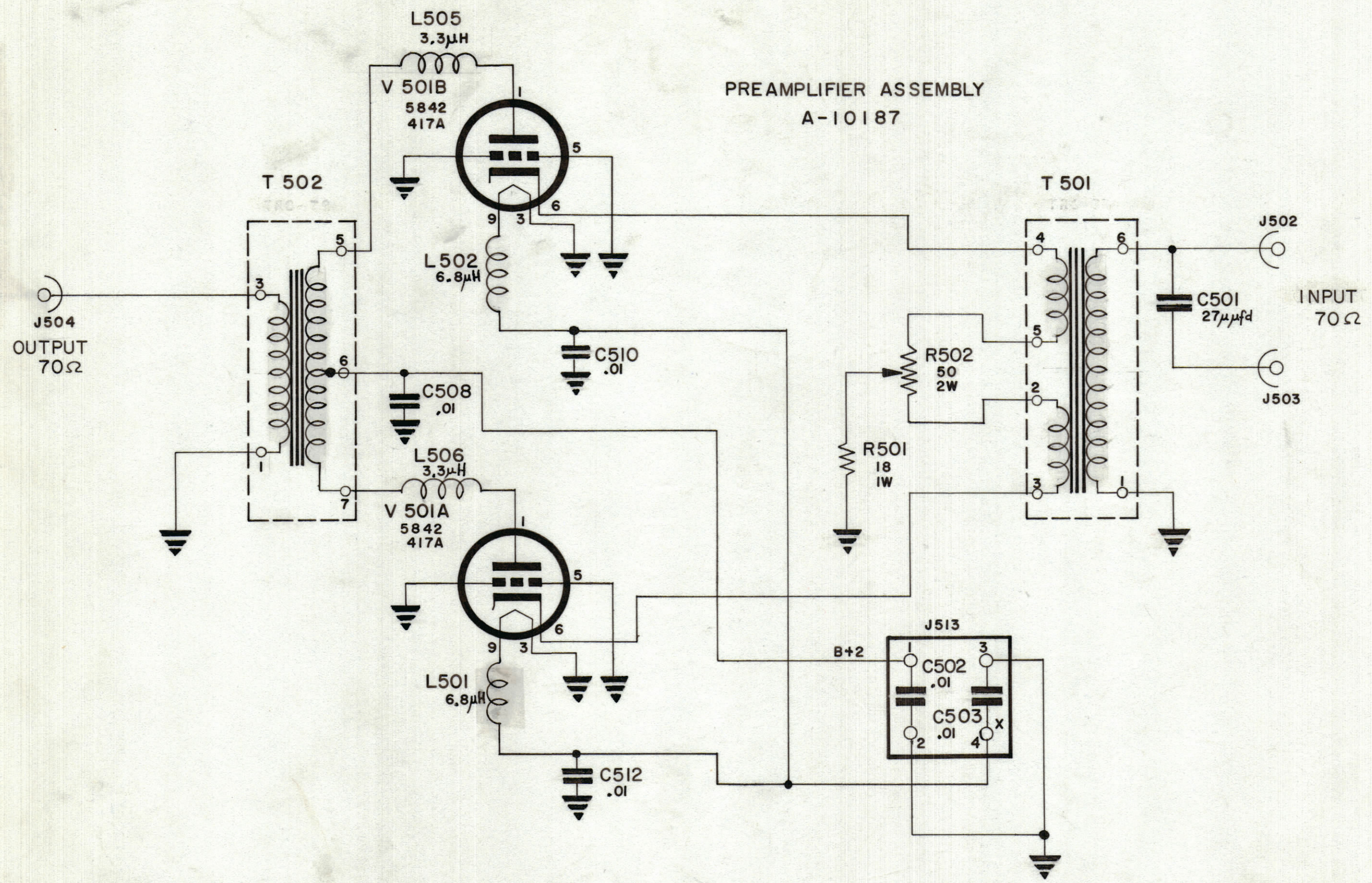


| REVISIONS | | | | | | |
|-----------|-----|---------------------------------|---------|------------|-------|------|
| ZONE | SYM | DESCRIPTION | DATE | E.M.N. NO. | DRAFT | APPD |
| - | B | REVISED & REDRAWN AS PER A10187 | 9-27-63 | 9915 | MD | MA |
| | | DELETED TMC PART NOS. | | | | |



PREAMPLIFIER ASSEMBLY
A-10187

NOTE:
ALL CAPACITORS IN μfd UNLESS OTHERWISE STATED
ALL RESISTORS 1/2W UNLESS OTHERWISE STATED

CK-10292 B

| | | |
|-----------|---------------|-----------|
| QTY./UNIT | AMC-6/5 | A-10187 |
| SCALE | MODEL USED ON | ASSY. NO. |
| | CODE | |

THE CONTENTS OF THIS DRAWING ARE THE EXCLUSIVE PROPERTY OF THE TECHNICAL MATERIEL CORP. ITS UNAUTHORIZED USE OR REPRODUCTION IN WHOLE OR IN PART IS STRICTLY FORBIDDEN.

| REQ'D. | ITEM | PART NUMBER | DESCRIPTION | SYMBOL |
|---|------|---|--------------|--------------------------|
| LIST OF MATERIAL | | | | |
| MATERIAL | | THE TECHNICAL MATERIEL CORP. MAMARONECK, NEW YORK | | |
| FINISH | | TITLE SCHEMATIC DIAGRAM PRE-AMPLIFIER CIRCUIT AMC-6/5 | | |
| UNLESS OTHERWISE SPECIFIED DIMENSIONS ARE IN INCHES AND INCLUDE CHEMICALLY APPLIED OR PLATED FINISHES | | DRAWN <i>A. Davis</i> | DATE 9-20-63 | FINAL APPROVAL <i>BP</i> |
| DECIMALS .X ± .05 .XX ± .01 .XXX ± .005 | | CHECKED <i>[Signature]</i> | DATE 9-26-63 | DATE |
| FRACTIONS ± 1/64 ANGLES ± 0° 30' | | ELECT. DES. | DATE | DATE |
| TOLERANCES | | MECH. DES. | DATE | DATE |
| | | | CK-10292 | B |
| | | | SHEET | REV. LTR. |

NOTES