

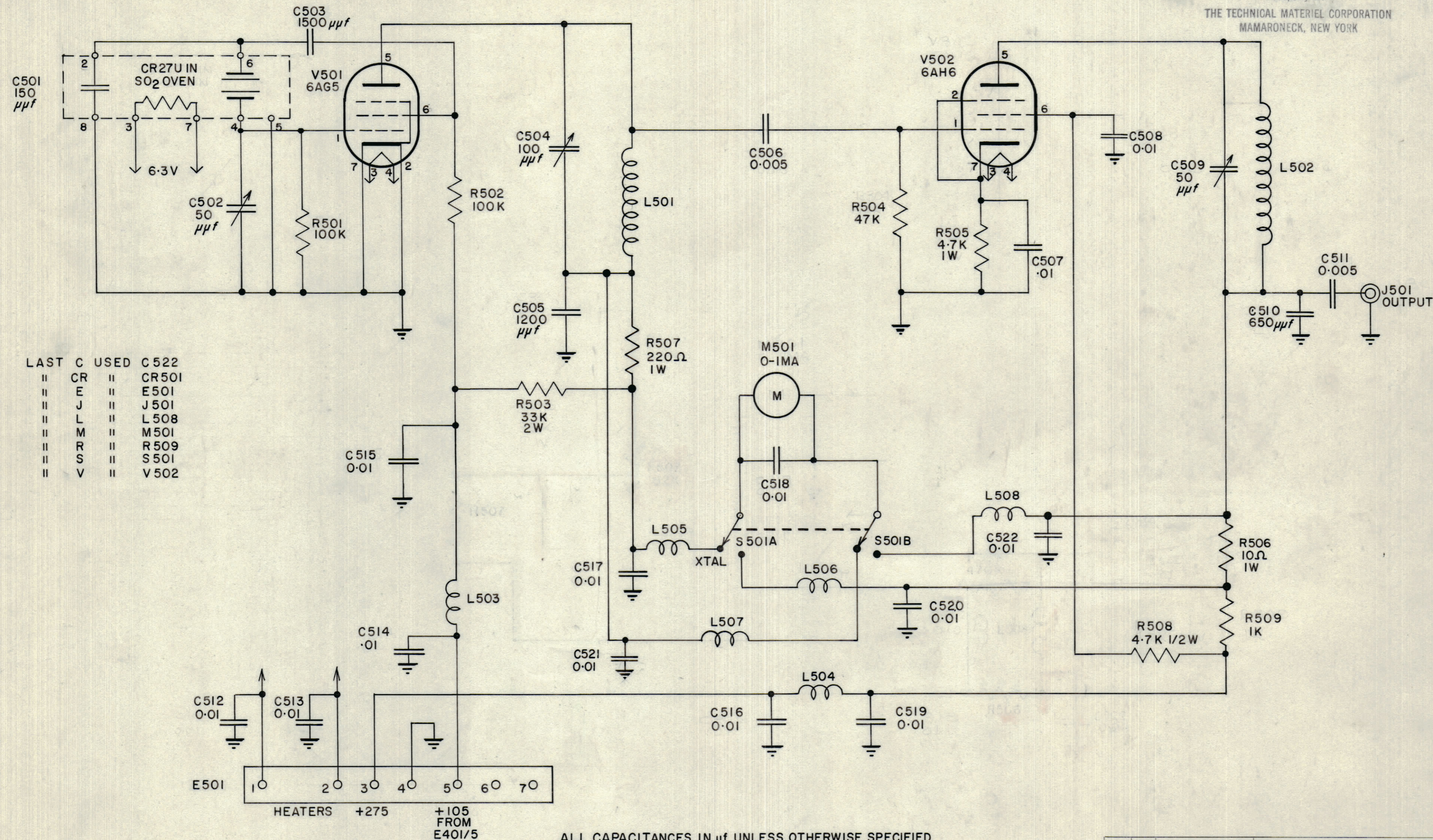
IF IT IS FOUND DESIRABLE TO CHANGE ANY TOLERANCE OR OTHER DETAIL SPECIFIED ON THIS DRAWING NOTIFY THE PURCHASER PROMPTLY.

MAXIMUM ALLOWABLE TOLERANCES HAVE BEEN DETERMINED AND DEVIATIONS WILL BE CAUSE FOR REJECTION. REMOVE ALL BURRS AND SHARP EDGES

NOTICE TO PERSONS RECEIVING THIS DRAWING

THE TECHNICAL MATERIEL CORPORATION claims proprietary right in the material disclosed hereon. This drawing is issued in confidence for engineering information only and may not be reproduced or used to manufacture anything shown hereon without permission from THE TECHNICAL MATERIEL CORPORATION to the user. This drawing is loaned for mutual assistance and is subject to recall at any time.

Property of:
THE TECHNICAL MATERIEL CORPORATION
MAMARONECK, NEW YORK



- LAST C USED C 522
 II CR II CR501
 II E II E501
 II J II J501
 II L II L508
 II M II M501
 II R II R509
 II S II S501
 II V II V502

ALL CAPACITANCES IN µf UNLESS OTHERWISE SPECIFIED

C	LOCATIONS OF R507, R508, L508, C522 CHANGED	JULY1	DCM	
B	L507, L508, S501B, C521, C522 ADDED. R506 AND R507 WERE 470 Ω 2K RESP.	MAY6	DCM	
A	REDRAWN	APR23	DCM	
ISSUE	ITEM	CHANGED FROM	DATE	CN. NO.
TOLERANCES		SCALE:		
ALL OTHERS	DEC. DIM. ± FRAC. DIM. ± ANGULAR DIM. ±	DRILL PUNCH, COMMERCIAL STOCK SIZES AND MANUFACTURERS TOLERANCES ARE NOT INCLUDED.		

CHU	MAR 26/59		
MODEL	PROJECT NO.	ASS'Y. No.	DATE
USED ON			

REQ.	ITEM	PART NO.	DESCRIPTION	SYMBOL
			TMC (Canada) LIMITED OTTAWA ONTARIO	
			XCO CRYSTAL OSCILLATOR	
			BUFFER FOR RFE EXCITER	
			DCM	
			DRAWN	ELEC. DES. APP.
			CHECKED	MECH. DES. APP.
				FINAL APPROVAL
			CKI0289	C

CKI0289 C