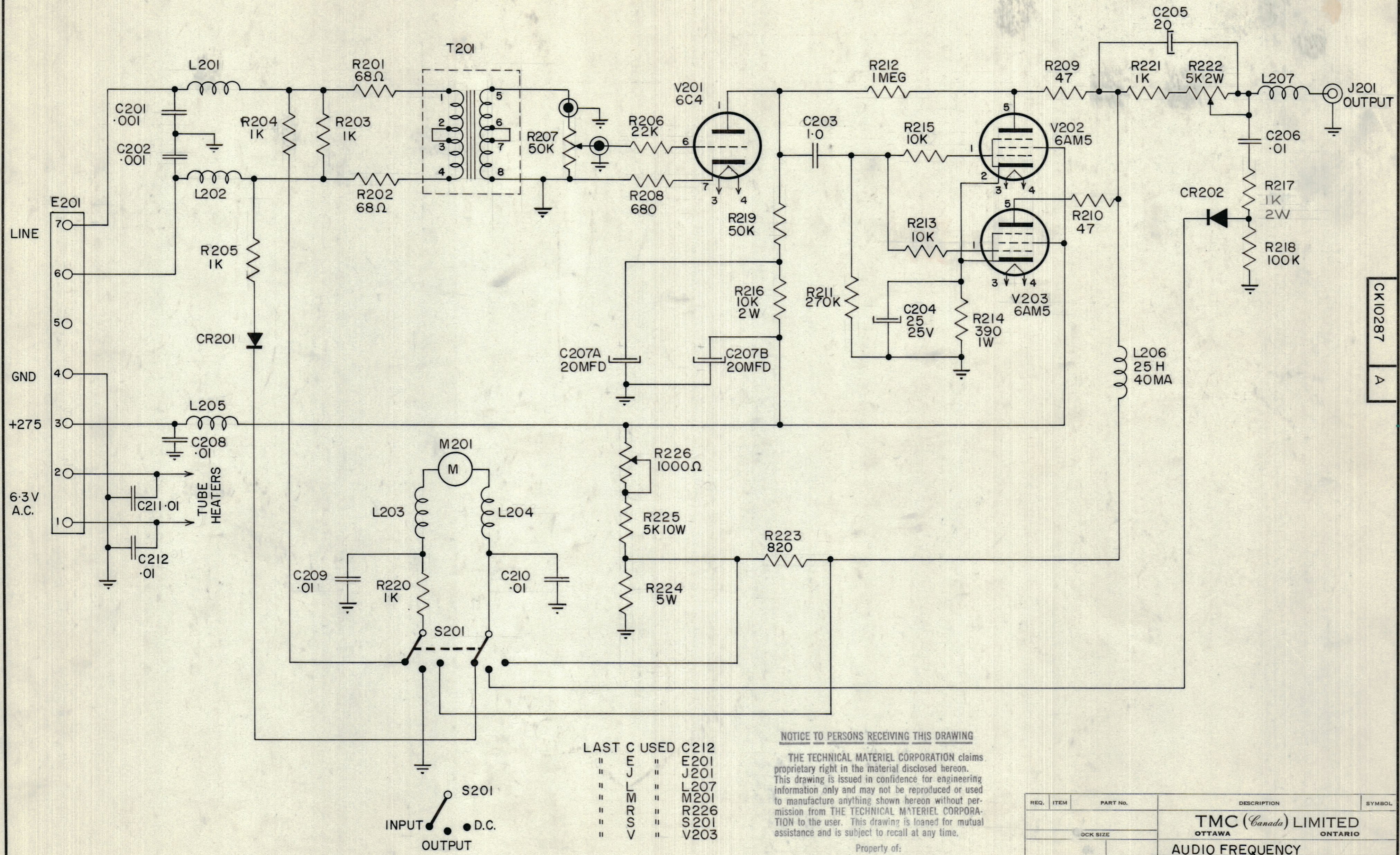


IF IT IS FOUND DESIRABLE TO CHANGE ANY TOLERANCE OR OTHER DETAIL SPECIFIED ON THIS DRAWING NOTIFY THE PURCHASER PROMPTLY.

MAXIMUM ALLOWABLE TOLERANCES HAVE BEEN DETERMINED AND DEVIATIONS WILL BE CAUSE FOR REJECTION. REMOVE ALL BURRS AND SHARP EDGES

ALL CAPACITANCES IN  $\mu\text{f}$  UNLESS OTHERWISE STATED



CK10287  
A

LAST C USED C212  
 " E " E201  
 " J " J201  
 " L " L207  
 " M " M201  
 " R " R226  
 " S " S201  
 " V " V203

NOTICE TO PERSONS RECEIVING THIS DRAWING

THE TECHNICAL MATERIEL CORPORATION claims proprietary right in the material disclosed herein. This drawing is issued in confidence for engineering information only and may not be reproduced or used to manufacture anything shown herein without permission from THE TECHNICAL MATERIEL CORPORATION to the user. This drawing is loaned for mutual assistance and is subject to recall at any time.

Property of:  
 THE TECHNICAL MATERIEL CORPORATION  
 MAMARONECK, NEW YORK

REQ. ITEM	PART NO.	DESCRIPTION	SYMBOL
<b>TMC (Canada) LIMITED</b> OTTAWA ONTARIO			
<b>AUDIO FREQUENCY MODULATOR</b>			
<b>DCM</b>			
DRAWN		ELEC. DES. APP.	MECH. DES. APP.
CHECKED		FINAL APPROVAL	
CK10287			A

ISSUE	ITEM	CHANGED FROM	DATE	CN. NO.	DRAFTS	CHECKER	ENG. APP.
TOLERANCES							
ALL OTHERS				SCALE:			
DEC. DIM. ±				DRILL, PUNCH, COMMERCIAL STOCK			
FRAC. DIM. ±				SIZES AND MANUFACTURERS			
ANGULAR DIM. ±				TOLERANCES ARE NOT INCLUDED.			

CHU

MODEL	PROJECT No.	ASS'Y. No.	DATE
			APR27/59
USED ON			