

IF IT IS FOUND DESIRABLE TO CHANGE ANY TOLERANCE OR OTHER DETAIL SPECIFIED ON THIS DRAWING NOTIFY THE PURCHASER PROMPTLY.

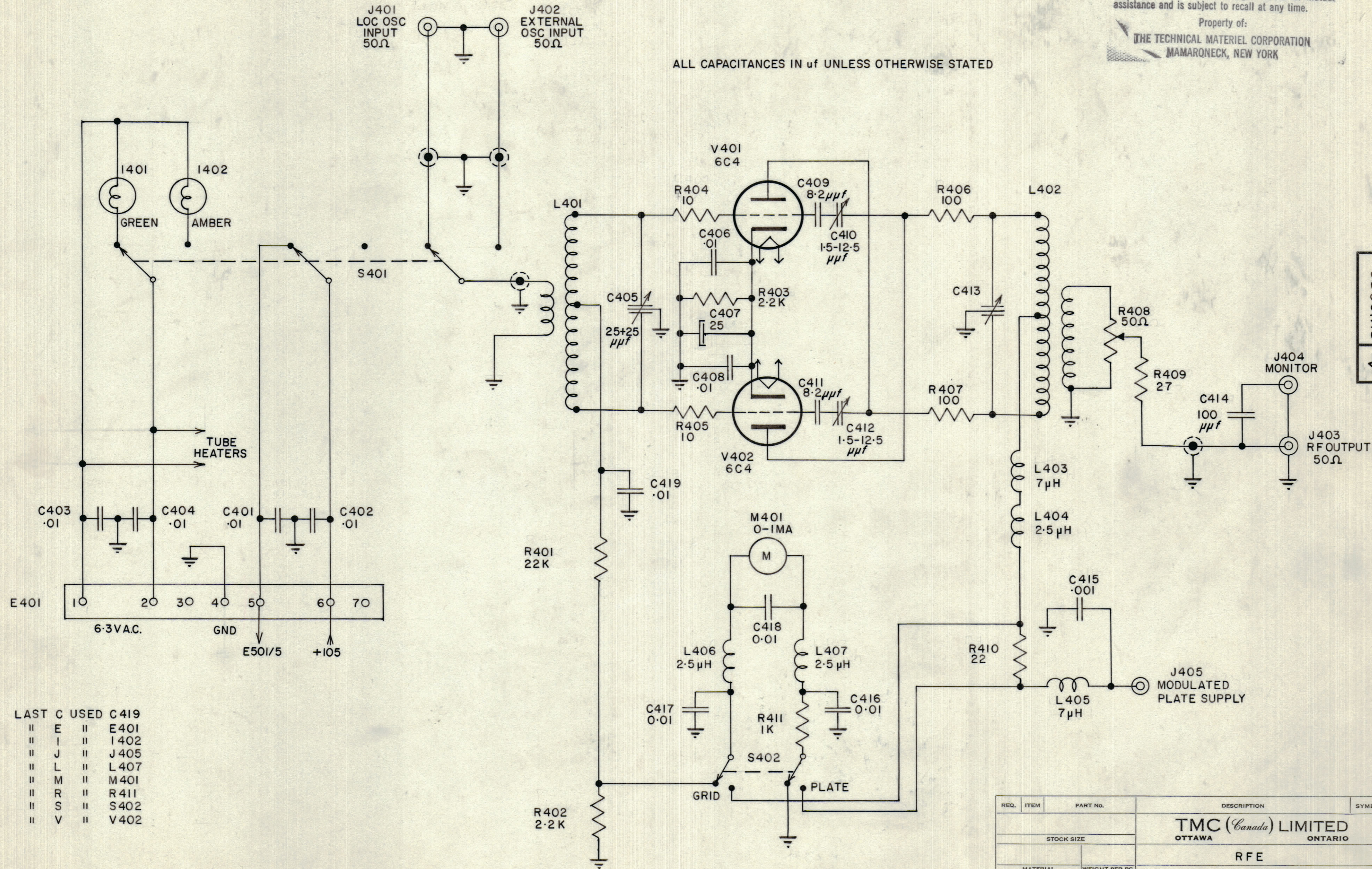
MAXIMUM ALLOWABLE TOLERANCES HAVE BEEN DETERMINED AND DEVIATIONS WILL BE CAUSE FOR REJECTION. REMOVE ALL BURRS AND SHARP EDGES

NOTICE TO PERSONS RECEIVING THIS DRAWING

THE TECHNICAL MATERIEL CORPORATION claims proprietary right in the material disclosed herein. This drawing is issued in confidence for engineering information only and may not be reproduced or used to manufacture anything shown herein without permission from THE TECHNICAL MATERIEL CORPORATION to the user. This drawing is loaned for mutual assistance and is subject to recall at any time.

Property of:
THE TECHNICAL MATERIEL CORPORATION
MAMARONECK, NEW YORK

ALL CAPACITANCES IN μf UNLESS OTHERWISE STATED



A CK10286

- LAST C USED C419
- || E || E401
 - || I || I402
 - || J || J405
 - || L || L407
 - || M || M401
 - || R || R411
 - || S || S402
 - || V || V402

A REDRAWN		APR23		DCM	
ISSUE	ITEM	CHANGED FROM	DATE	CN. NO.	DRAFTS
TOLERANCES			SCALE:		
ALL OTHERS	DEC. DIM. ±	FRAC. DIM. ±	DRILL, PUNCH, COMMERCIAL STOCK SIZES AND MANUFACTURERS TOLERANCES ARE NOT INCLUDED.		

CHU			
MODEL	PROJECT No.	ASS'Y. No.	DATE
			25 MAR./59
USED ON			

REQ.	ITEM	PART NO.	DESCRIPTION	SYMBOL
			TMC (Canada) LIMITED	
			OTTAWA ONTARIO	
			RFE	
			AMPLITUDE MODULATED EXCITER	
			DCM	
			DRAWN	ELEC. DES. APP.
			CHECKED	MECH. DES. APP.
				FINAL APPROVAL
			CK 10286	A