

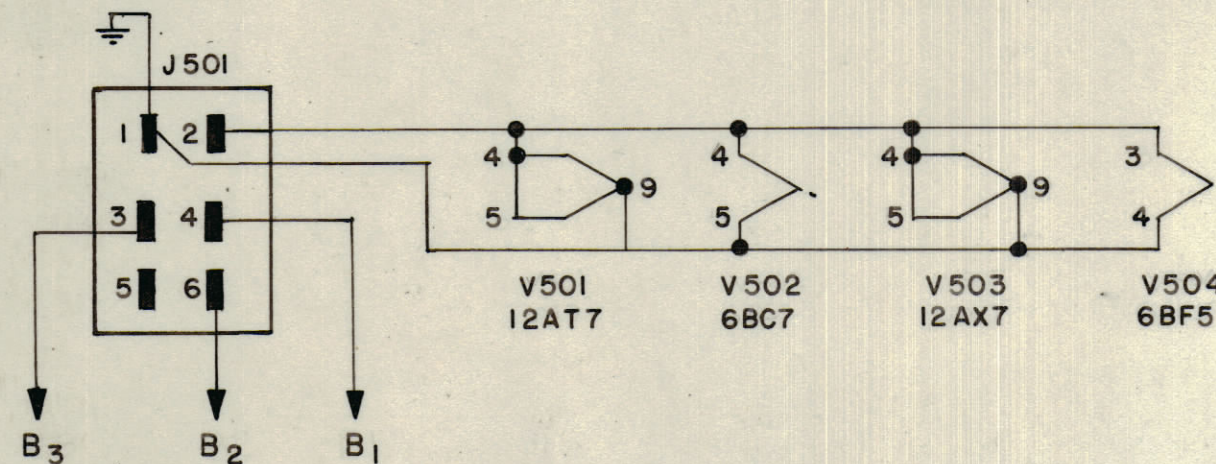
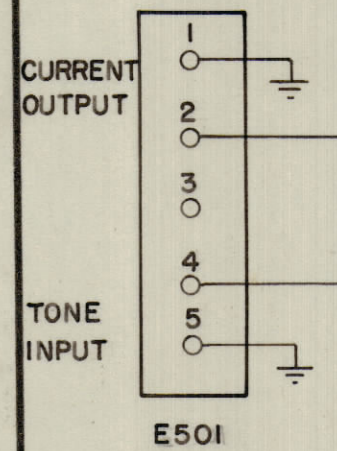
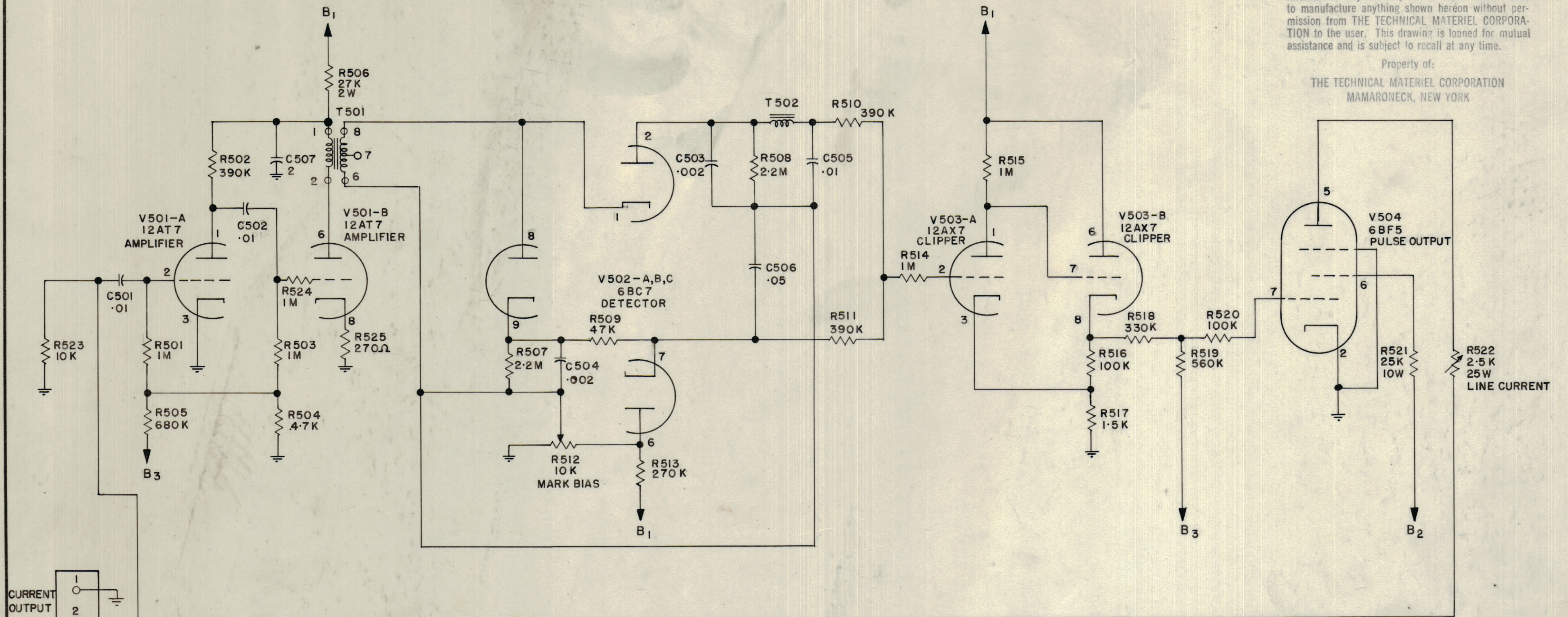
IF IT IS FOUND DESIRABLE TO CHANGE ANY TOLERANCE OR OTHER DETAIL SPECIFIED ON THIS DRAWING NOTIFY THE PURCHASER PROMPTLY.

MAXIMUM ALLOWABLE TOLERANCES HAVE BEEN DETERMINED AND DEVIATIONS WILL BE CAUSE FOR REJECTION. REMOVE ALL BURRS AND SHARP EDGES

NOTICE TO PERSONS RECEIVING THIS DRAWING

THE TECHNICAL MATERIEL CORPORATION claims proprietary right in the material disclosed hereon. This drawing is issued in confidence for engineering information only and may not be reproduced or used to manufacture anything shown hereon without permission from THE TECHNICAL MATERIEL CORPORATION to the user. This drawing is loaned for mutual assistance and is subject to recall at any time.

Property of:
THE TECHNICAL MATERIEL CORPORATION
MAMARONECK, NEW YORK



ALL RESISTORS ARE 1/2 W UNLESS OTHERWISE NOTED
ALL CAPACITORS ARE IN μ f UNLESS OTHERWISE NOTED

D	REDRAWN FR CK 257-C R524, 525 ADDED, VALUE R513 WAS 680K	DEC 22, 58	DCM		
ISSUE	ITEM	CHANGED FROM	DATE	CN. NO.	DRAFTS CHECKER ENG. APP.
TOLERANCES			SCALE: —		
ALL OTHERS	DEC. DIM. \pm FRAC. DIM. \pm ANGULAR DIM. \pm	DRILL, PUNCH, COMMERCIAL STOCK SIZES AND MANUFACTURERS TOLERANCES ARE NOT INCLUDED.			

MODEL	PROJECT No.	ASS'Y. No.	DATE
USED ON			

REQ.	ITEM	PART NO.	DESCRIPTION	SYMBOL
		TMC (Canada) LIMITED OTTAWA ONTARIO		
		SCHEMATIC DIAGRAM		
		MODEL TRU		
		DCM.		
		DRAWN	ELEC. DES. APP.	MECH. DES. APP.
		CHECKED	FINAL APPROVAL	
		CK-10 260		

CK-10 260