

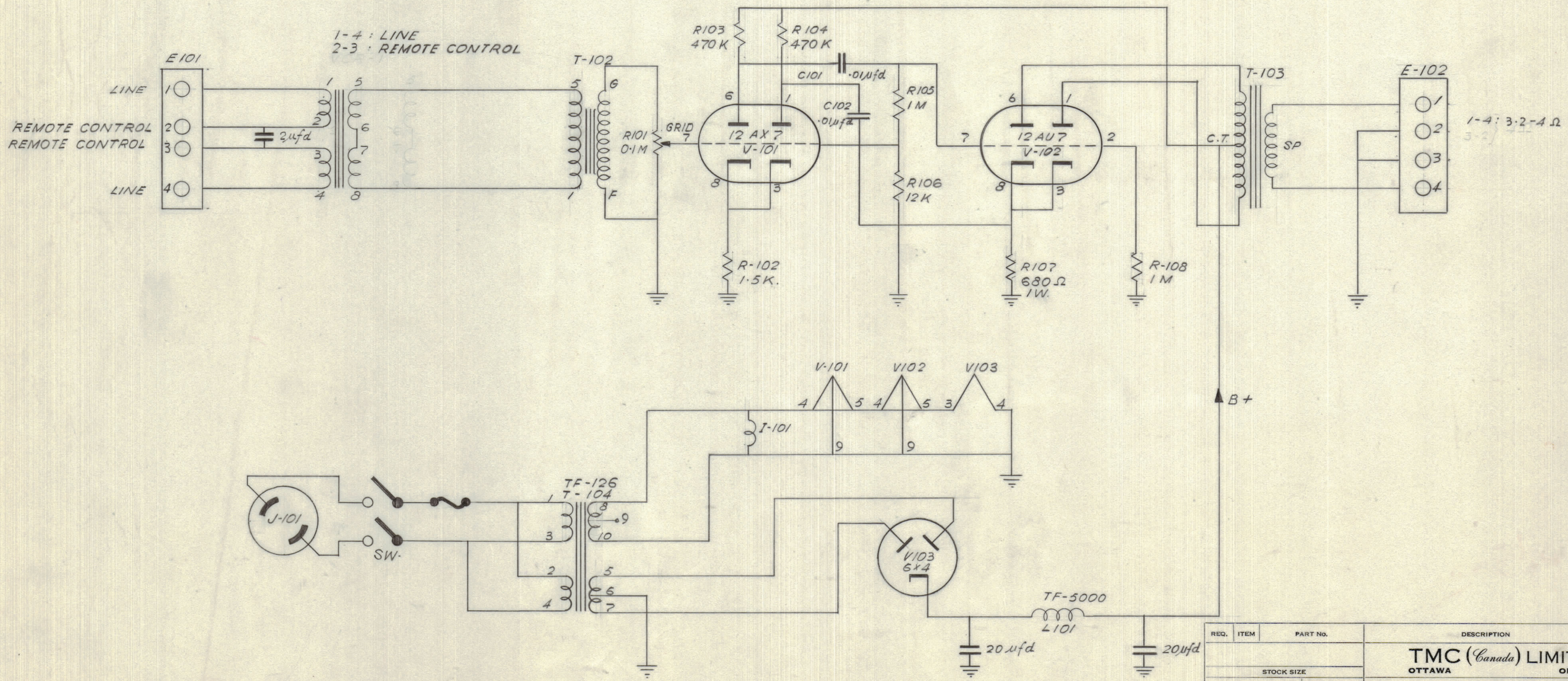
IF IT IS FOUND DESIRABLE TO CHANGE ANY TOLERANCE OR OTHER DETAIL SPECIFIED ON THIS DRAWING NOTIFY THE PURCHASER PROMPTLY.

MAXIMUM ALLOWABLE TOLERANCES HAVE BEEN DETERMINED AND DEVIATIONS WILL BE CAUSE FOR REJECTION. REMOVE ALL BURRS AND SHARP EDGES

**NOTICE TO PERSONS RECEIVING THIS DRAWING**

THE TECHNICAL MATERIEL CORPORATION claims proprietary right in the material disclosed hereon. This drawing is issued in confidence for engineering information only and may not be reproduced or used to manufacture anything shown hereon without permission from THE TECHNICAL MATERIEL CORPORATION to the user. This drawing is loaned for mutual assistance and is subject to recall at any time.

Property of:  
THE TECHNICAL MATERIEL CORPORATION  
MAMARONECK, NEW YORK



CK-10250  
A

ISSUE	ITEM	CHANGED FROM	DATE	CN. NO.	DRAFTS	CHECKER	ENG. APP.
A	1	CK-10250 REDRAWN	20-7-60			W.H.D.	
TOLERANCES							
DEC. DIM. ±				DRILL, PUNCH, COMMERCIAL STOCK			
FRAC. DIM. ±				SIZES AND MANUFACTURERS			
ANGULAR DIM. ±				TOLERANCES ARE NOT INCLUDED.			

VCR-1	PROJECT No.	ASS'Y. No.	DATE
			19 JULY 1960

REQ.	ITEM	PART NO.	DESCRIPTION	SYMBOL
<b>TMC (Canada) LIMITED</b> OTTAWA ONTARIO				
SCHEMATIC DIAGRAM OF VCR-1				
(PART OF TMC SYSTEM)				
TYPE & TEMPER		W.H.DAVISON	M. Br.	
HEAT TREAT. SPEC.		DRAWN	ELEC. DES. APP.	MECH. DES. APP.
FINISH & SPEC. No.		CHECKED	FINAL APPROVAL	
		CK-10250		A