

IF IT IS FOUND DESIRABLE TO CHANGE ANY TOLERANCE OR OTHER DETAIL SPECIFIED ON THIS DRAWING NOTIFY THE PURCHASER PROMPTLY.

MAXIMUM ALLOWABLE TOLERANCES HAVE BEEN DETERMINED AND DEVIATIONS WILL BE CAUSE FOR REJECTION. REMOVE ALL BURRS AND SHARP EDGES

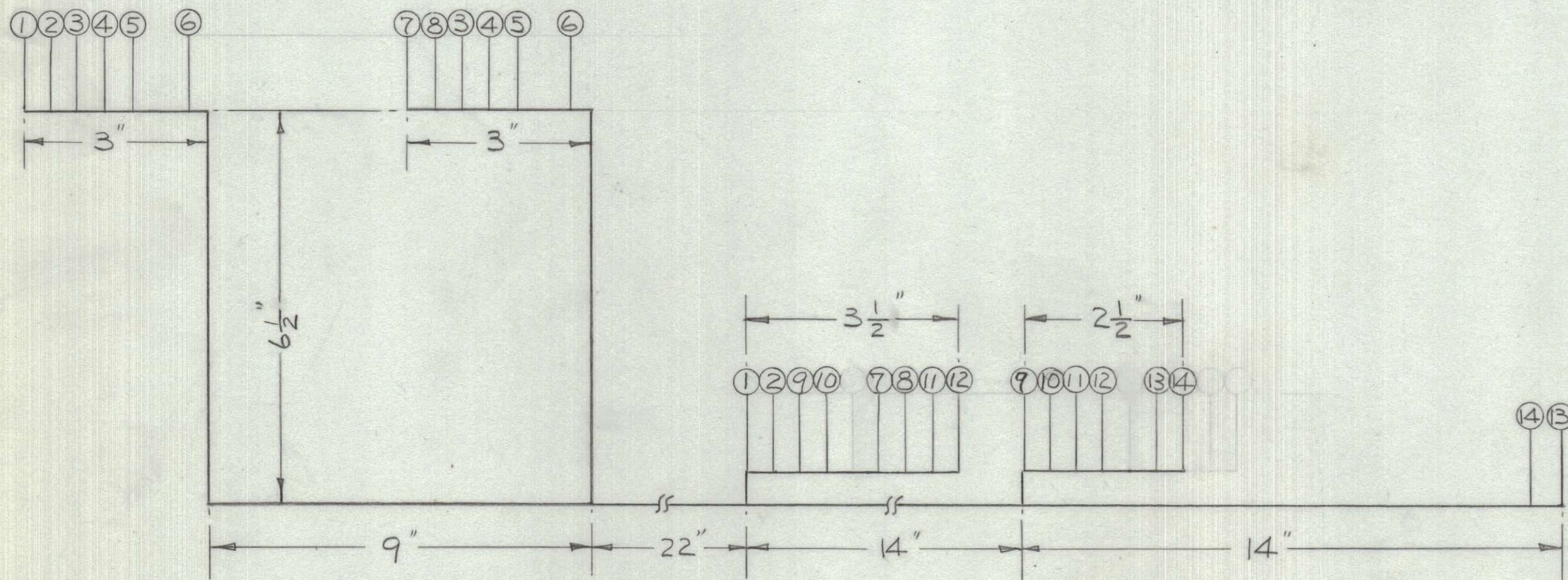
NOTICE TO PERSONS RECEIVING THIS DRAWING

THE TECHNICAL MATERIEL CORPORATION claims proprietary right in the material disclosed hereon. This drawing is issued in confidence for engineering information only and may not be reproduced or used to manufacture anything shown hereon without permission from THE TECHNICAL MATERIEL CORPORATION to the user. This drawing is loaned for mutual assistance and is subject to recall at any time.

Property of:
THE TECHNICAL MATERIEL CORPORATION
MAMARONECK, NEW YORK

NOTE: HARNESSES FOR RACKS A18 + A19
(DRAWING Nos CK-10195, CK-10196, CK-10198)
ARE IDENTICAL TO THIS HARNESS.

CK-10201



2	14		20"	WL - JANC76A -	
2	13		20"	" - " - " -	
2	12		23"	" - " - " - SH.	
2	11		23"	" - " - " - "	
2	10		20"	" - " - " - "	
2	9		20"	" - " - " - "	
2	8		40"	" - " - " - "	
2	7		40"	" - " - " - "	
2	6		30"	" - " - " - "	
2	5		31"	" - " - " - "	
2	4		32"	" - " - " - "	
2	3		32"	" - " - " - "	
2	2		46"	" - " - " - "	
2	1		46"	WL - " - " - SH.	

REQ.	ITEM	PART NO.	DESCRIPTION	SYMBOL
TMC (Canada) LIMITED				
STOCK SIZE		OTTAWA ONTARIO		
HARNESSES FOR RACK B1				
LEFT SIDE				
ECL				
TYPE & TEMPER		DRAWN		
HEAT TREAT. SPEC.		ELEC. DES. APP.		
FINISH & SPEC. NO.		MECH. DES. APP.		
CHECKED		FINAL APPROVAL		
USED ON		CK-10201		

ISSUE	ITEM	CHANGED FROM	DATE	CN. NO.	DRAFTS	CHECKER	ENG. APP.
TOLERANCES							
SCALE:							
ALL OTHERS		DEC. DIM. ± FRAC. DIM. ± ANGULAR DIM. ±		DRILL, PUNCH, COMMERCIAL STOCK SIZES AND MANUFACTURERS TOLERANCES ARE NOT INCLUDED.			

MODEL	PROJECT NO.	ASS'Y. NO.	DATE
			12/12/57