

IF IT IS FOUND DESIRABLE TO CHANGE ANY TOLERANCE OR OTHER DETAIL SPECIFIED ON THIS DRAWING NOTIFY THE PURCHASER PROMPTLY.

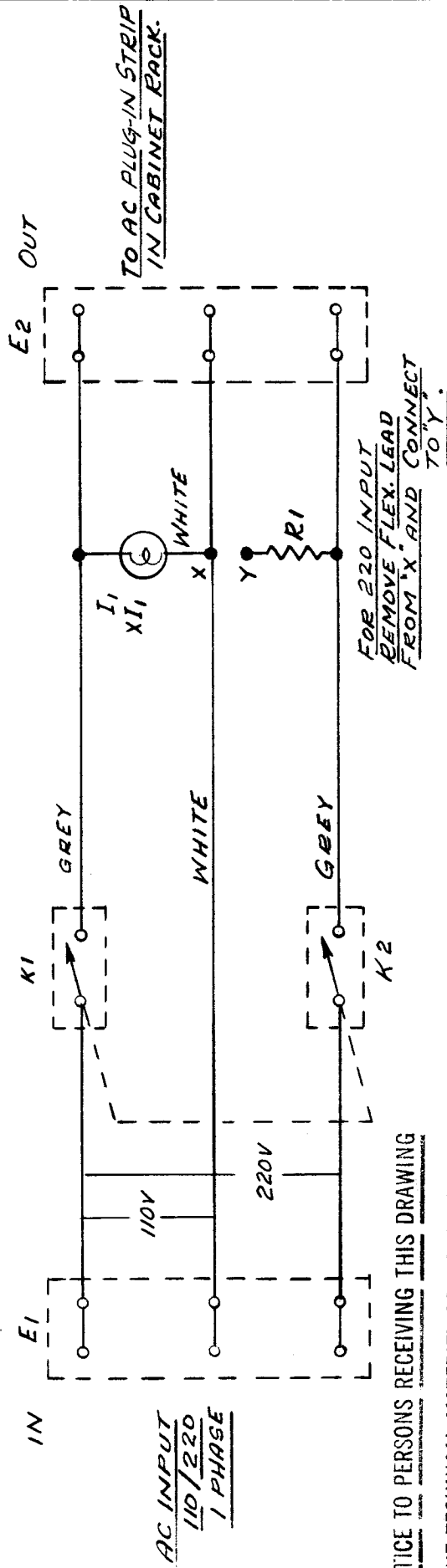
MAXIMUM ALLOWABLE TOLERANCES HAVE BEEN DETERMINED AND DEVIATIONS WILL BE CAUSE FOR REJECTION. REMOVE ALL BURRS AND SHARP EDGES

CK-10117

USED ON

MODEL PROJECT NO. ASSY. NO. DATE

Nov. 22/54



NOTICE TO PERSONS RECEIVING THIS DRAWING

THE TECHNICAL MATERIEL CORPORATION claims proprietary right in the material disclosed hereon. This drawing is issued in confidence for engineering information only and may not be reproduced or used to manufacture anything shown hereon without permission from THE TECHNICAL MATERIEL CORPORATION to the user. This drawing is loaned for mutual assistance and is subject to recall at any time.

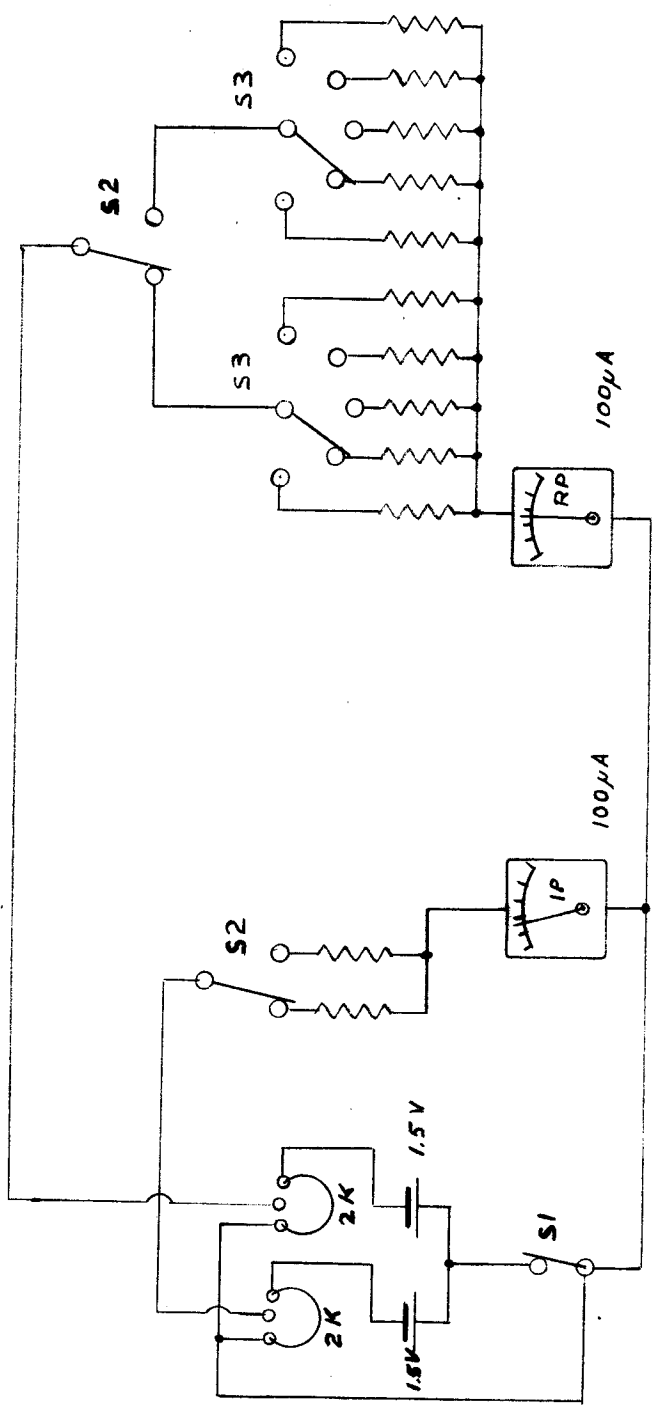
Property of:

THE TECHNICAL MATERIEL CORPORATION
MAMARONECK, NEW YORK

REQ. ITEM	PART NO.	DESCRIPTION	SYMBOL
		TMC (Canada) LIMITED OTTAWA ONTARIO	
		SCHEMATIC DIAGRAM	
		POWER CONTROL PANEL DCP-2	
		L. MARION	
		DRAWN	ELEC. DES. APP.
			MECH. DES. APP.
			FINAL APPROVAL
			CK-10117

ISSUE ITEM	CHANGED FROM	DATE	CN. NO.	DRAFTS	CHECKER	ENG. APP.
TOLERANCES						
DEC. DIM. ±						
FRAC. DIM. ±						
ANGULAR DIM. ±						
DRILL, PUNCH, COMMERCIAL STOCK SIZES AND MANUFACTURERS TOLERANCES ARE NOT INCLUDED.						

CK-10131



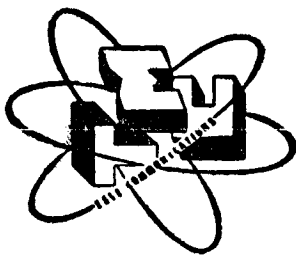
REFLECTOMETER
DISPLAY PANEL

MARCH 15/1957

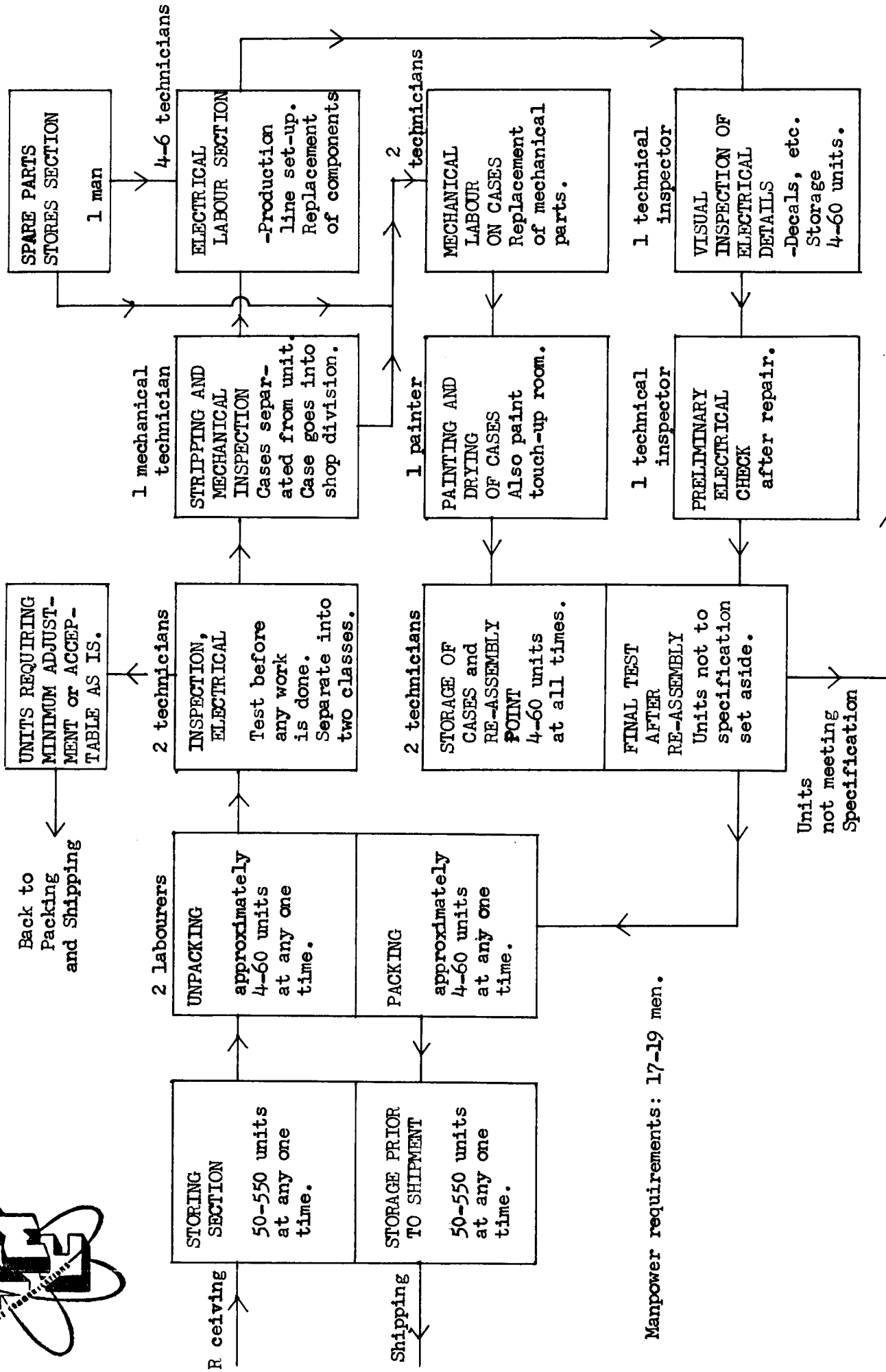
YWA

CK-10131

PROPOSED FLOW CHART for REPAIR AND OVERHAUL of TYPE 58 SETS



CK- 10132



Manpower requirements: 17-19 men.

To appropriate department for re-work.

June 17, 1957

CK- 10132

T.M.C. (Canada) LIMITED
 P.O. BOX 1006, BILLINGS BRIDGE, CITTAWA, ONTARIO

CK - 10183

USED ON

DATE

ASSY. NO.

PROJECT NO.

MODEL

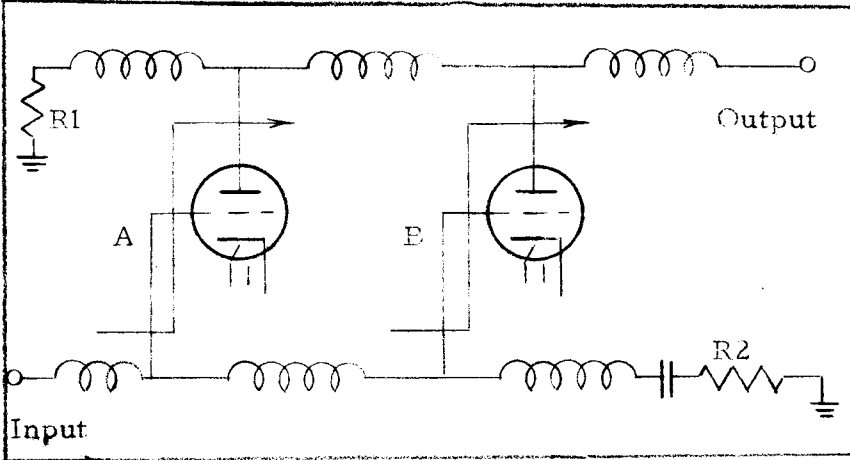


Figure 2-1

Basic Distributed Amplifier Circuit

IF IT IS FOUND DESIRABLE TO CHANGE ANY TOLERANCE OR OTHER DETAIL SPECIFIED ON THIS DRAWING NOTIFY THE PURCHASER PROMPTLY.

MAXIMUM ALLOWABLE TOLERANCES HAVE BEEN DETERMINED AND DEVIATIONS WILL BE CAUSE FOR REJECTION. REMOVE ALL BURRS AND SHARP EDGES

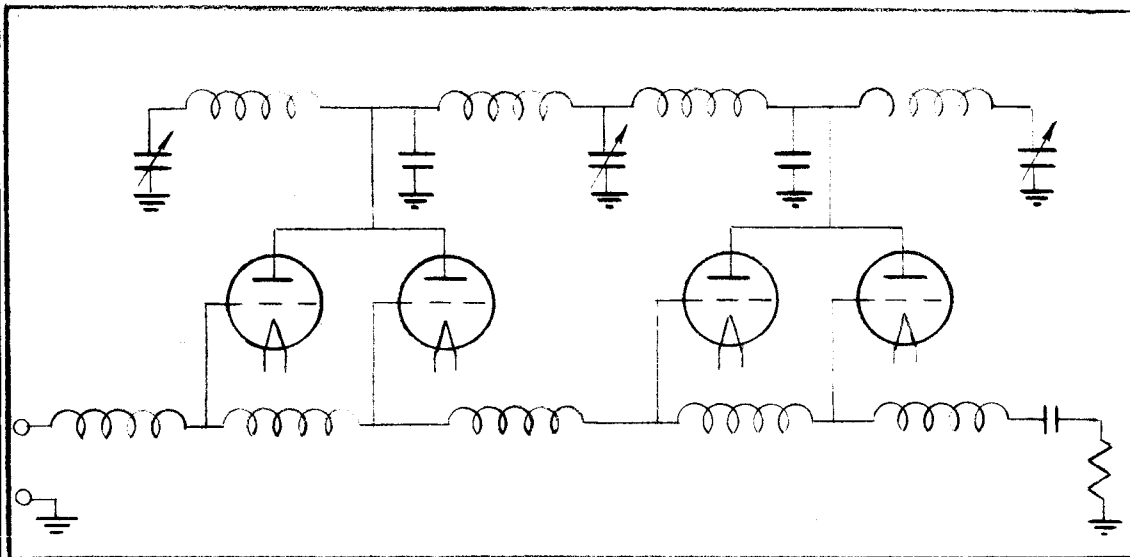


Figure 2-2

Paired Plate Connection In Distributed Amplifier

REQ. ITEM	PART NO.	DESCRIPTION	SYMBOL
		TMC(Canada)LIMITED OTTAWA ONTARIO	
		Fig. 2-1 Basic Distributed Amplifier Circuit	
		Fig. 2-2 Paired Plate Connection In Distributed Amplifier	
		DRAWN	ELEC. DES. APP. MECH. DES. APP.
		CHECKED	
		used in IN-10007	FINAL APPROVAL
			CK-10183

ISSUE ITEM	CHANGED FROM	DATE	CN. NO.	DRAFTS	CHECKER	ENG. APP.
SCALE						
DIMENSIONS IN INCHES UNLESS OTHERWISE SPECIFIED						
DRILL, PUNCH, COMMERCIAL STOCK SIZES AND MANUFACTURERS TOLERANCES ARE NOT INCLUDED.						
TOLERANCES						
ALL	DEC. DIM. ±					
OTHERS	FRAC. DIM. ±					
	ANGULAR DIM. ±					

