

IF IT IS FOUND DESIRABLE TO CHANGE ANY TOLERANCE OR OTHER DETAIL SPECIFIED ON THIS DRAWING NOTIFY THE PURCHASER PROMPTLY.

MAXIMUM ALLOWABLE TOLERANCES HAVE BEEN DETERMINED AND DEVIATIONS WILL BE CAUSE FOR REJECTION. REMOVE ALL BURRS AND SHARP EDGES

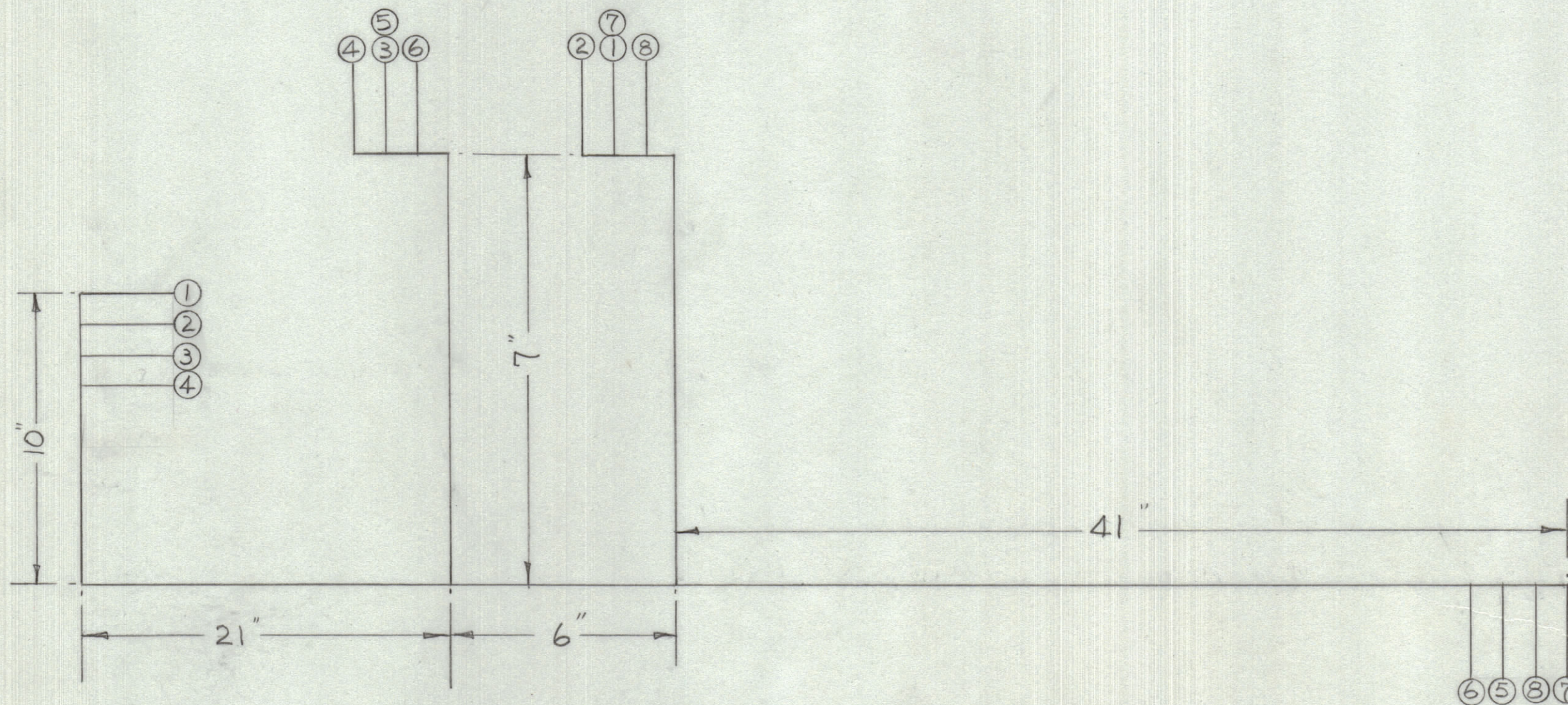
NOTICE TO PERSONS RECEIVING THIS DRAWING

THE TECHNICAL MATERIEL CORPORATION claims proprietary right in the material disclosed hereon. This drawing is issued in confidence for engineering information only and may not be reproduced or used to manufacture anything shown hereon without permission from THE TECHNICAL MATERIEL CORPORATION to the user. This drawing is loaned for mutual assistance and is subject to recall at any time.

Property of:

THE TECHNICAL MATERIEL CORPORATION
MAMARONECK, NEW YORK

CK-10186



1	8	51"	"	-	"	-	"	
1	7	51"	"	-	"	-	"	
1	6	56"	"	-	"	-	"	
1	5	56"	"	-	"	-	"	
1	4	42"	"	-	"	-	"	
1	3	42"	"	-	"	-	"	
1	2	48"	"	-	"	-	"	
1	1	48"	WL	-	JANCT6A	-	SH.	

REQ.	ITEM	PART NO.	DESCRIPTION	SYMBOL						
TMC (Canada) LIMITED OTTAWA ONTARIO										
LEFT HARNESS FOR RACK A-13										
<table border="0" style="width: 100%;"> <tr> <td style="width: 30%;">DRAWN</td> <td style="width: 30%;">ELEC. DES. APP.</td> <td style="width: 30%;">MECH. DES. APP.</td> </tr> <tr> <td>CHECKED</td> <td colspan="2">FINAL APPROVAL</td> </tr> </table>					DRAWN	ELEC. DES. APP.	MECH. DES. APP.	CHECKED	FINAL APPROVAL	
DRAWN	ELEC. DES. APP.	MECH. DES. APP.								
CHECKED	FINAL APPROVAL									
CK-10186										

ISSUE	ITEM	CHANGED FROM	DATE	CN. NO.	DRAFTS	CHECKER	ENG. APP.
TOLERANCES							
ALL OTHERS				DEC. DIM. ± FRAC. DIM. ± ANGULAR DIM. ±			
SCALE:				DRILL, PUNCH, COMMERCIAL STOCK SIZES AND MANUFACTURERS TOLERANCES ARE NOT INCLUDED.			

MODEL	PROJECT NO.	ASS'Y. NO.	DATE
			9/12/57
USED ON			