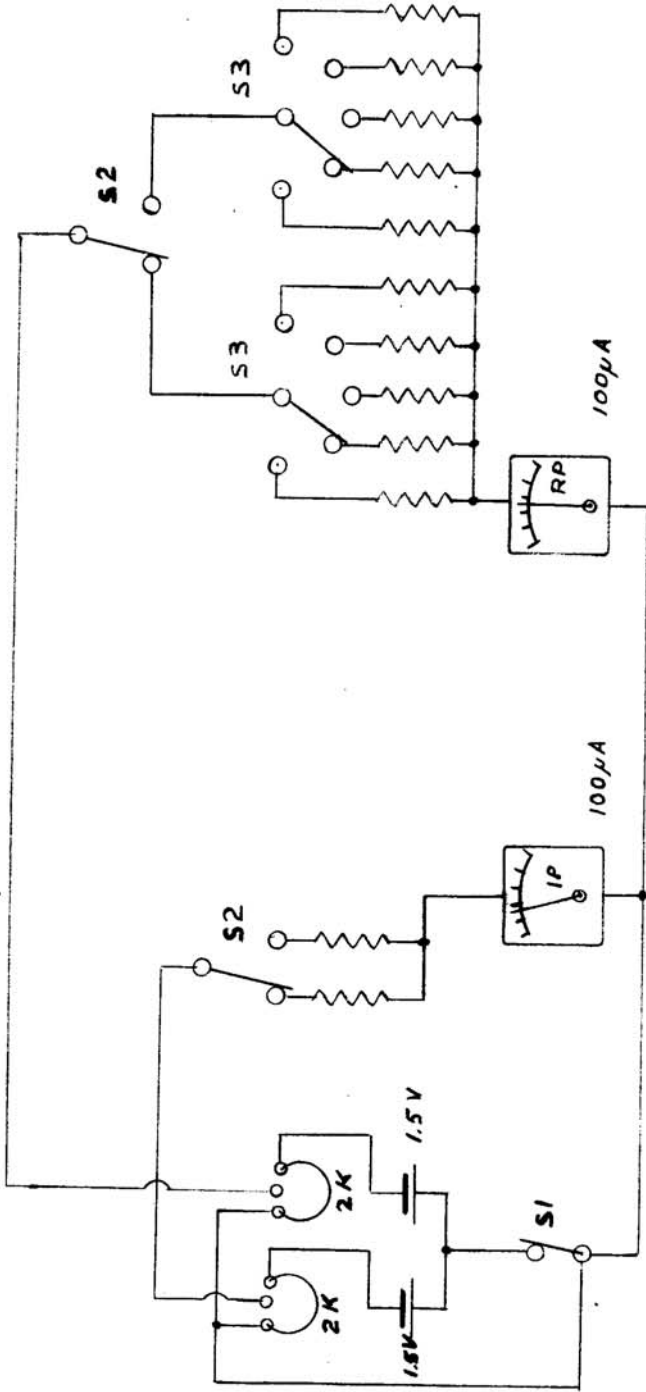


CK-10131



REFLECTOMETER  
DISPLAY PANEL

MARCH 15, 1957

*YWA*

CK-10131