

IF IT IS FOUND DESIRABLE TO CHANGE ANY TOLERANCE OR OTHER DETAIL SPECIFIED ON THIS DRAWING NOTIFY THE PURCHASER PROMPTLY.

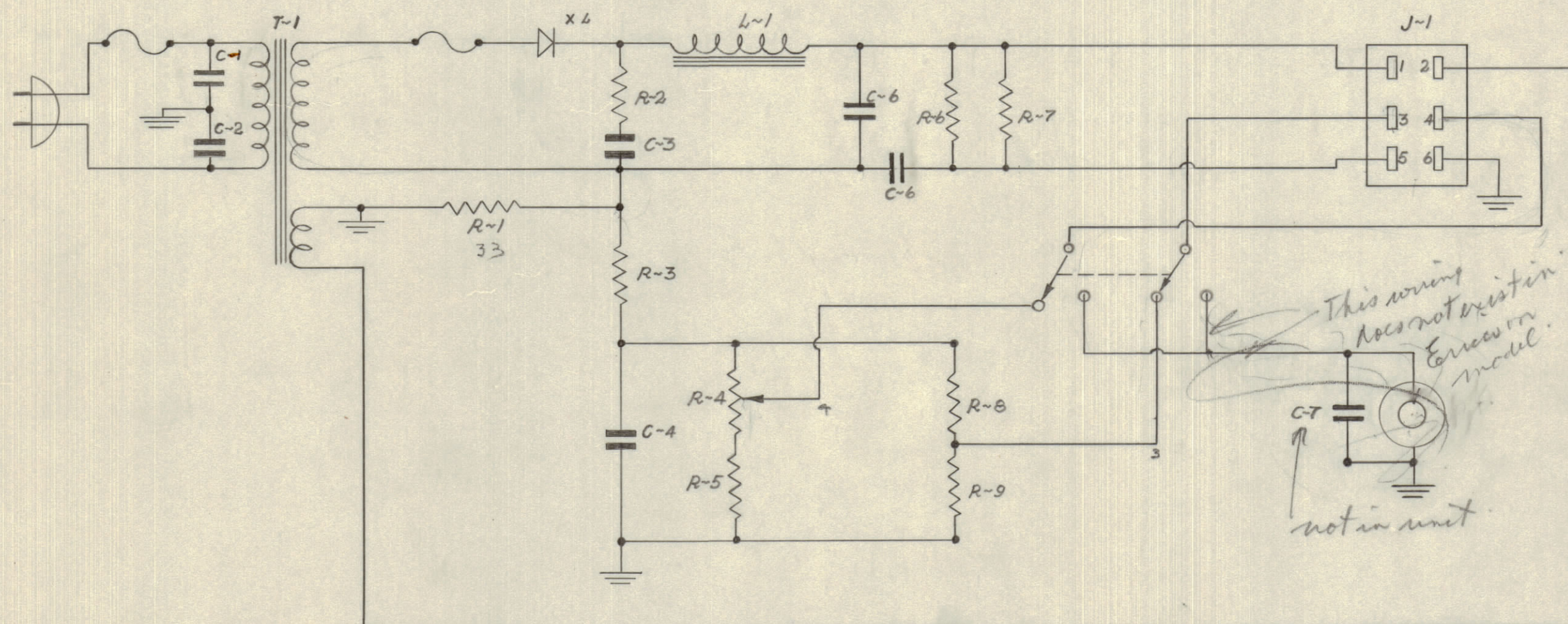
MAXIMUM ALLOWABLE TOLERANCES HAVE BEEN DETERMINED AND DEVIATIONS WILL BE CAUSE FOR REJECTION. REMOVE ALL BURRS AND SHARP EDGES

NOTICE TO PERSONS RECEIVING THIS DRAWING

THE TECHNICAL MATERIEL CORPORATION claims proprietary right in the material disclosed hereon. This drawing is issued in confidence for engineering information only and may not be reproduced or used to manufacture anything shown hereon without permission from THE TECHNICAL MATERIEL CORPORATION to the user. This drawing is loaned for mutual assistance and is subject to recall at any time.

Property of:

THE TECHNICAL MATERIEL CORPORATION  
MAMARONECK, NEW YORK



CK 10102

✓	1	L-1	CHOKE HAMMOND TYPE XC-3
✓		T-1	TRANSFORMER HAM. TYPE XR6A
✓	1	J-1	CONNECTOR FEM: 6 PRONG
	1	R-9	RESISTOR FIXED: 61800 OHMS .5W
	1	R-8	" " 6800 OHMS .5W
	1	R-7	" " 360 OHMS .2W
	1	R-6	" " 360 OHMS .2W
	1	R-5	" " 1500 OHMS .5W
	1	R-4	" " 5000 OHMS .5W
	1	R-3	" " 1000 OHMS .5W
	1	R-2	" " 12 OHMS .2W
	1	R-1	" " 33 OHMS .2W
	1	X-1	GE 1N158
	1	C-7	CAPACITOR FIXED: 0.005 MF
	1	C-6	CAPACITOR FIXED: 80MMF 150V
	1	C-5	CAPACITOR FIXED: 80MMF 150V
	1	C-4	CAPACITOR FIXED: 50MMF 12V
	1	C-3	CAPACITOR FIXED: 80MMF 150V
	1	C-2	CAPACITOR FIXED: 0.005 MF
	1	C-1	CAPACITOR FIXED: 0.005 MF

deal unit single case from 50

TRACED  
3.9.1956

ISSUE	ITEM	CHANGED FROM	DATE	CN. NO.	DRAFTS	CHECKER	ENG. APP.
TOLERANCES		SCALE: _____					
ALL OTHERS	DEC. DIM. ± FRAC. DIM. ± ANGULAR DIM. ±	DRILL, PUNCH, COMMERCIAL STOCK SIZES AND MANUFACTURERS TOLERANCES ARE NOT INCLUDED.					

MODEL	PROJECT NO.	ASSY. NO.	DATE
USED ON			

REQ. ITEM	PART NO.	DESCRIPTION	SYMBOL
STOCK SIZE		TMC (Canada) LIMITED OTTAWA ONTARIO	
MATERIAL		AMPLIFIER POWER SUPPLY	
WEIGHT PER PC.		DICK W. HOL.	
TYPE & TEMPER		DRAWN	ELEC. DES. APP. MECH. DES. APP.
HEAT TREAT. SPEC.		CHECKED	FINAL APPROVAL
FINISH & SPEC. NO.		CK 10102	