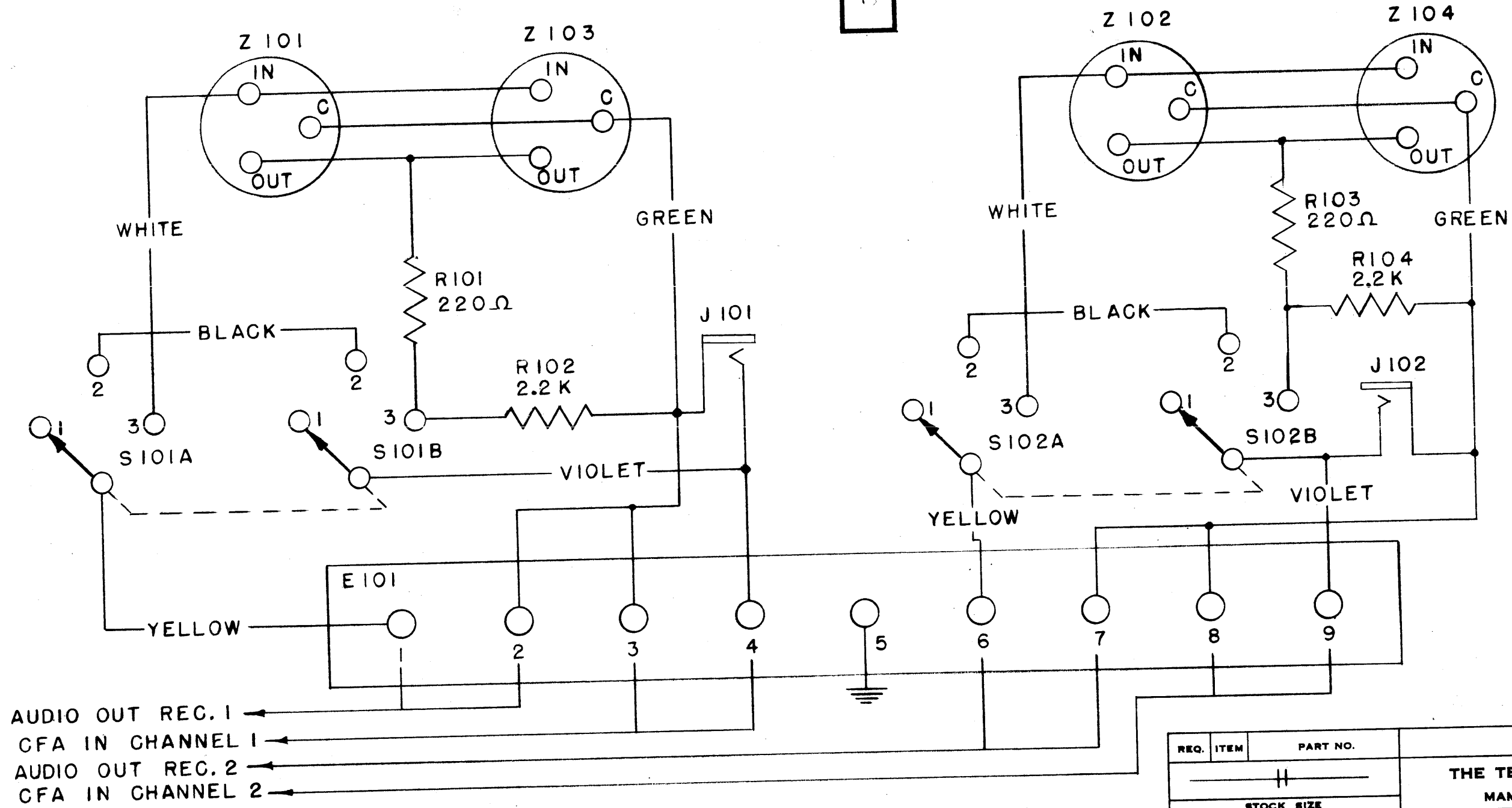


IF IT IS FOUND DESIRABLE TO CHANGE ANY TOLERANCE OR OTHER DETAIL SPECIFIED ON THIS DRAWING NOTIFY THE PURCHASER PROMPTLY.

MAXIMUM ALLOWABLE TOLERANCES HAVE BEEN DETERMINED AND DEVIATIONS WILL BE CAUSE FOR REJECTION. REMOVE ALL BURRS AND SHARP EDGES

CKKI 65

SWITCH POSITIONS
 1 PANEL OUT
 2 FILTER OUT
 3 FILTER IN



AUDIO OUT REC. 1
 CFA IN CHANNEL 1
 AUDIO OUT REC. 2
 CFA IN CHANNEL 2

THIS DIAGRAM FOR SERIAL NO'S 5 AND UP

REQ.	ITEM	PART NO.	DESCRIPTION	SYMBOL
			THE TECHNICAL MATERIEL CORP.	
			MAMARONECK. NEW YORK	
			WIRING DIAGRAM	
			CDD	A.J.J.
			DRAWN	ELEC. APP.
			M.H.S.	FINAL APPROV.
			CHECKED	
				CKI65
				B

ISSUE	ITEM	CHANGED FROM	DATE	CN. NO.	DRAFTS	CHECKER	ENG. APP.
B		ADD 'SFP-3 IN' MODEL	1-25-67	CC	RME		
A	1	J101 CONTACT FROM Z103 REWIRED AS J102 FROM Z104	3-8-63	8476			

MODEL	PROJECT NO.	ASS'Y. NO.	DATE
SFP-3	121	A449-2	1/25/67
SFP-2		A449	4-16-53

ALL OTHERS DEC. DIM. ±
 FRAC. DIM. ±
 AN ULAR DIM. ±

DRILL, PUNCH, COMMERCIAL STOCK
 SIZES AND MANUFACTURERS
 TOLERANCES ARE NOT INCLUDED.