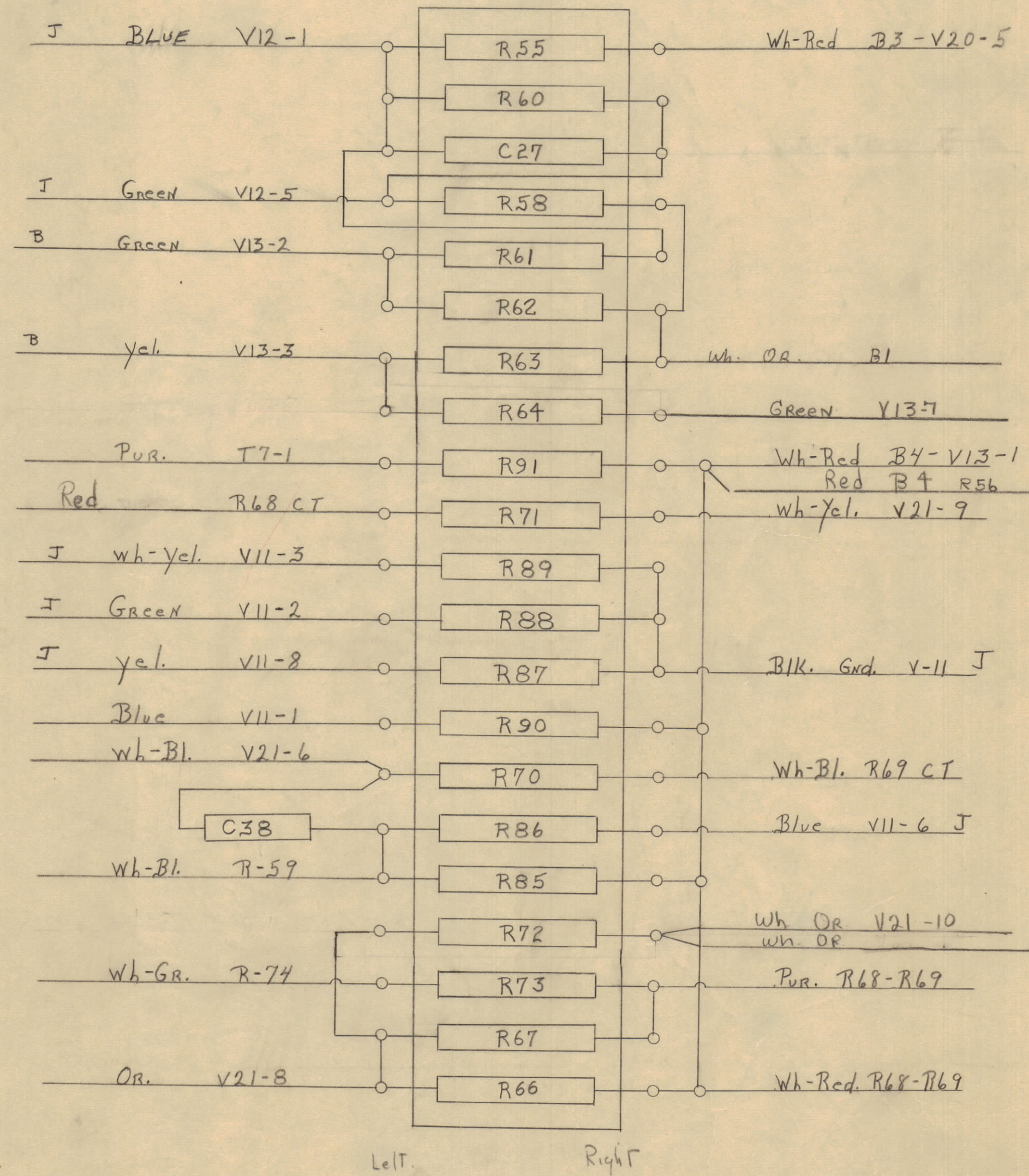


NOTICE TO PERSONS RECEIVING THIS DRAWING

THE TECHNICAL MATERIEL CORPORATION claims proprietary right in the material disclosed hereon. This drawing is issued in confidence for engineering information only and may not be reproduced or used to manufacture anything shown hereon without permission from THE TECHNICAL MATERIEL CORPORATION to the user. This drawing is loaned for mutual assistance and is subject to recall at any time.

Property of:
THE TECHNICAL MATERIEL CORPORATION
MAMARONECK, NEW YORK



Left Right

Top View

NO	FROM	TO	COLOR	LENGTH	STRIP
32	L-R-55	V12-1	BLUE	3 1/2	1/2
33	L-R-58	V12-5	GREEN	3	1/2
36	L-R-89	V11-3	YELLOW	4 1/2	1/2
37	L-R-88	V11-2	WH-GR.	4 1/2	1/2
38	L-R-87	V11-8	YELLOW	4	1/2
45	L-R-63	V13-7	YELLOW		
39	R-R-87	V11-GND	BLACK	3 3/4	1/2
40	R-R-86	V11-6	BLUE	3 3/4	1/2

SUPERCEDES BEH 005 A

A	REDRAWN	7/15/52	PK
SYM	DESCRIPTION	DATE	APP
Wiring Diagram T.B.B C.F.A.			
THE TECHNICAL MATERIEL CORPORATION MAMARONECK, NEW YORK			
DATE	2-5-52	C.D.B.	2/18/52
DRAWN	M. L. S.	APPD.	R.S.B.
SHEET	OF	NO	CK-1541A

803