

IF IT IS FOUND DESIRABLE TO CHANGE ANY TOLERANCE OR OTHER DETAIL SPECIFIED ON THIS DRAWING NOTIFY THE PURCHASER PROMPTLY.

MAXIMUM ALLOWABLE TOLERANCES HAVE BEEN DETERMINED AND DEVIATIONS WILL BE CAUSE FOR REJECTION. REMOVE ALL BURRS AND SHARP EDGES

CK-146

USED ON

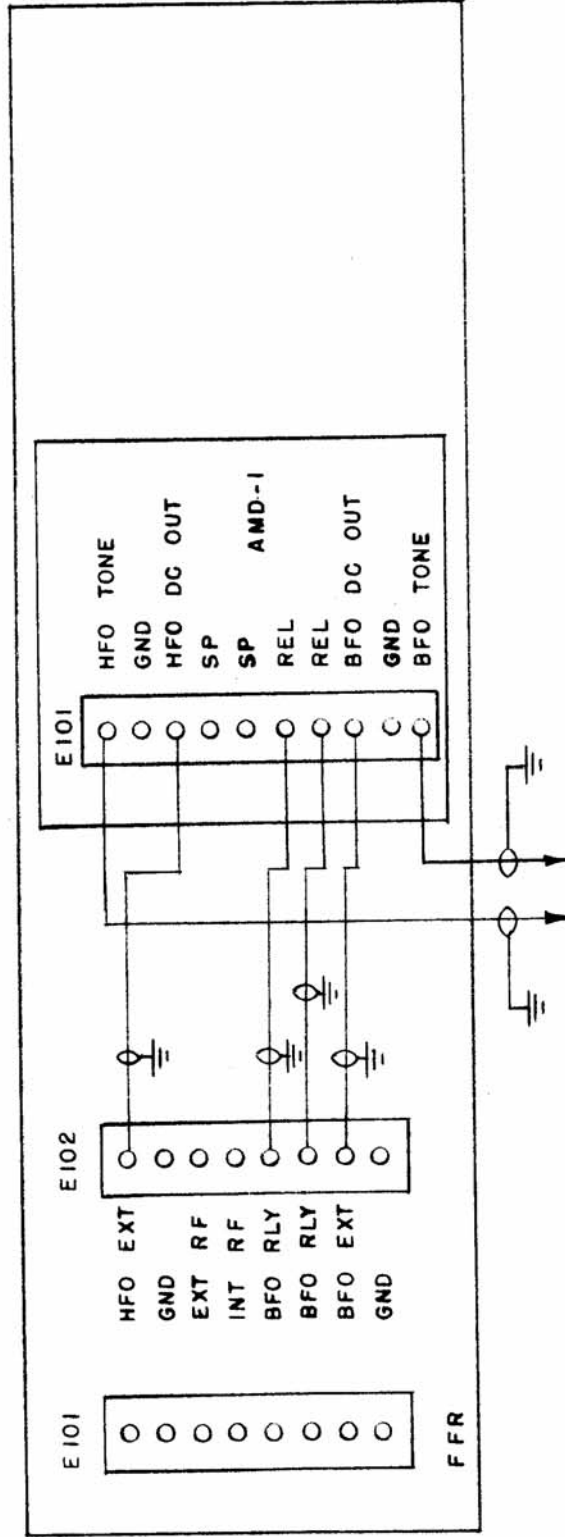
DATE

ASS'Y. NO.

PROJECT NO.

MODEL

4



HFO SIGNAL TONE BFO SIGNAL TONE

REQ. ITEM	PART NO.	DESCRIPTION	SYMBOL
		THE TECHNICAL MATERIEL CORP. MAMARONECK, NEW YORK	
		FIGURE A-1 CONNECTIONS FOR	
		REMOTE CONTROL OPERATION	
		<i>JAW</i> 2-6-53 DRAWN	ELEC. DES. APP.
		<i>ARB</i>	MECH. DES. APP.
		<i>ARB</i>	FINAL APPROVAL
		CHECKED	
		CK-146	

STOCK SIZE	WEIGHT PER PC.

MATERIAL	TYPE & TEMPER

HEAT TREAT. SPEC.	FINISH & SPEC. NO.

ISSUE ITEM	CHANGED FROM	DATE	CN. NO.	DRAFTS	CHECKER	ENG. APP.

TOLERANCES
SCALE

DEC. DIM. ±	FRAC. DIM. ±	ANGULAR DIM. ±

DRILL, PUNCH, COMMERCIAL STOCK SIZES AND MANUFACTURERS TOLERANCES ARE NOT INCLUDED.