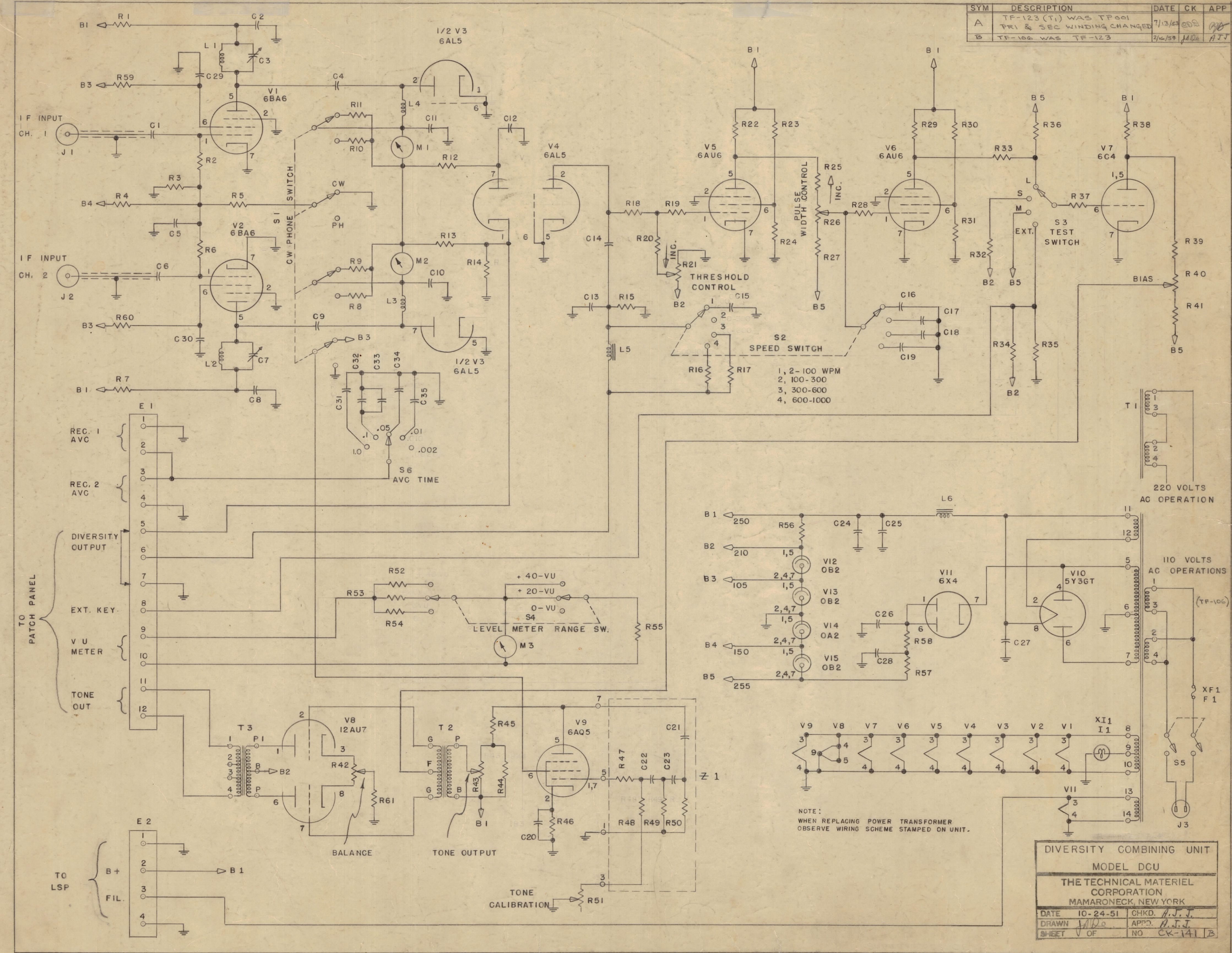


SYM	DESCRIPTION	DATE	CK	APP
A	TF-123 (T) WAS TPOOI PRI & SEC WINDING CHANGED	7/13/53	ES	HJJ
B	TF-106 WAS TF-123	2/16/54	MJD	HJJ



NOTE:
WHEN REPLACING POWER TRANSFORMER
OBSERVE WIRING SCHEME STAMPED ON UNIT.

DIVERSITY COMBINING UNIT			
MODEL DCU			
THE TECHNICAL MATERIEL CORPORATION			
MAMARONECK, NEW YORK			
DATE	10-24-51	CHKD.	H.J.J.
DRAWN	MJD	APPD.	H.J.J.
SHEET	1 OF	NO	CK-141 B

8 SIZE