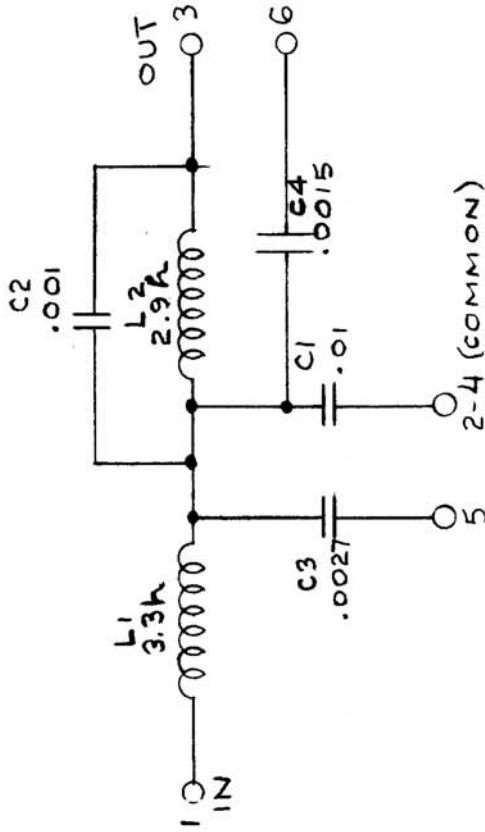


IF IT IS FOUND DESIRABLE TO CHANGE ANY TOLERANCE OR OTHER DETAIL SPECIFIED ON THIS DRAWING NOTIFY THE PURCHASER PROMPTLY.

MAXIMUM ALLOWABLE TOLERANCES HAVE BEEN DETERMINED AND DEVIATIONS WILL BE CAUSE FOR REJECTION. REMOVE ALL BURRS AND SHARP EDGES



ELECTRICAL SPECIFICATIONS:

1. 1800 CYCLE CARRIER
INPUT 1-2 OUTPUT 3-4
2. 1500 CYCLE CARRIER
A- PLACE JUMPER BETWEEN 2-5
B- PLACE JUMPER BETWEEN 3-6
INPUT 1-2 OUTPUT 3-4

CK-129

USED ON

MODEL	PROJECT NO.	ASSY. NO.	DATE
FX-100	160	A-279	12-17-52

REQ. ITEM	PART NO.	DESCRIPTION	SYMBOL
	ff	THE TECHNICAL MATERIEL CORP. MAMARONECK, NEW YORK	
	ff	SCHEMATIC DIAGRAM	
	ff	FX-100	
	ff	16 12-17-52	
	ff	C.D.D.	
	ff	CHECKED	
	ff	FINAL APPROVAL	
	ff	CK-129	

ISSUE ITEM	CHANGED FROM	DATE	CN. NO.	DRAFTS CHECKER	ENG. APP.
SCALE					
TOLERANCES					
DEC. DIM. ±					
FRAC. DIM. ±					
ANGULAR DIM. ±					
DRILL, PUNCH, COMMERCIAL STOCK SIZES AND MANUFACTURERS TOLERANCES ARE NOT INCLUDED.					