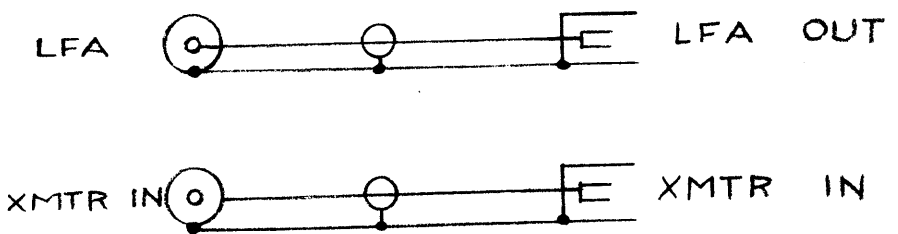
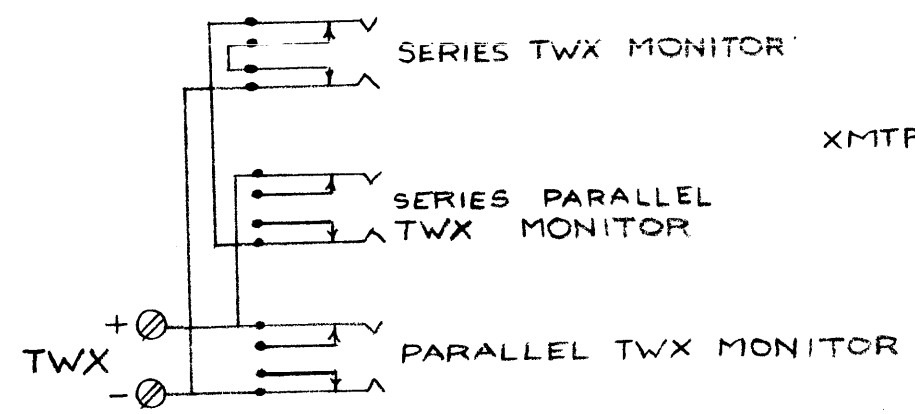
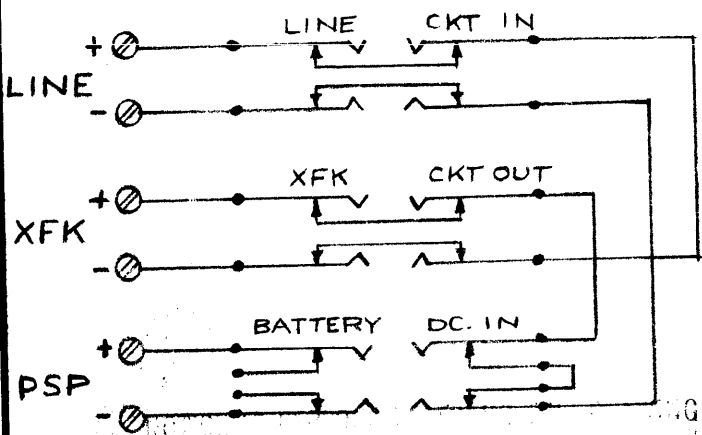
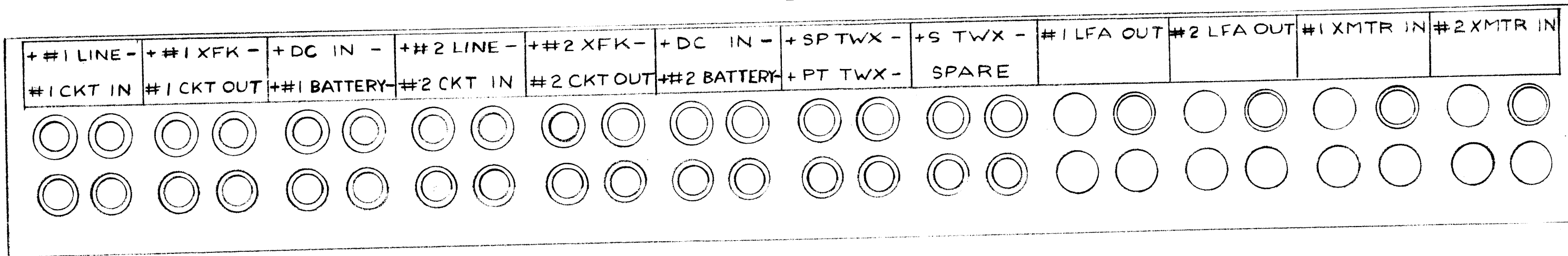


IF IT IS FOUND DESIRABLE TO CHANGE ANY TOLERANCE OR OTHER DETAIL SPECIFIED ON THIS DRAWING NOTIFY THE PURCHASER PROMPTLY.

MAXIMUM ALLOWABLE TOLERANCES HAVE BEEN DETERMINED AND DEVIATIONS WILL BE CAUSE FOR REJECTION. REMOVE ALL BURRS AND SHARP EDGES

RELEASED

CK-118



TWX MONITOR PATCH
 SERIES TWX: PATCH "LINE" TO "S TWX" AND "CKT IN" TO "S-P TWX."
 PARALLEL TWX: PATCH "LINE" TO "PTWX" AND "CKT.IN" TO "S-P TWX."

This drawing is the property of THE TECHNICAL MATERIEL CORPORATION and is loaned to you for your use only. It is not to be used for manufacturing or other purposes without the written permission of THE TECHNICAL MATERIEL CORPORATION. This drawing is to be returned to THE TECHNICAL MATERIEL CORPORATION for mutual assistance and is subject to recall at any time.

Property of:
 THE TECHNICAL MATERIEL CORPORATION
 MAMARONECK, NEW YORK

| REQ. | ITEM | PART NO. | DESCRIPTION | SYMBOL |
|--------------------|------|----------------|--|---------------------------------|
| | | | THE TECHNICAL MATERIEL CORP. MAMARONECK, NEW YORK | |
| STOCK SIZE | | | JACK PANEL CIRCUIT | |
| MATERIAL | | WEIGHT PER PC. | | |
| TYPE & TEMPER | | | 16 11-13-52 | <i>[Signature]</i> |
| | | | DRAWN | ELEC. DES. APP. MECH. DES. APP. |
| HEAT TREAT. SPEC. | | | 11/13/52 | <i>[Signature]</i> |
| | | | CHECKED | FINAL APPROVAL |
| FINISH & SPEC. NO. | | | CK-118 | |

| ISSUE | ITEM | CHANGED FROM | DATE | CN. NO. | DRAFTS | CHECKER | ENG. APP. |
|------------|------|--------------|------|------------|--------|----------|-----------|
| TOLERANCES | | | | | | | |
| SCALE: | | | | | | | |
| EPP | | 162 | | A-253 | | 10-29-52 | |
| MODEL | | PROJECT NO. | | ASS'Y. NO. | | DATE | |
| USED ON | | | | | | | |

ALL OTHERS DEC. DIM. ±
 FRAC. DIM. ±
 ANGULAR DIM. ±

DRILL, PUNCH, COMMERCIAL STOCK SIZES AND MANUFACTURERS TOLERANCES ARE NOT INCLUDED.