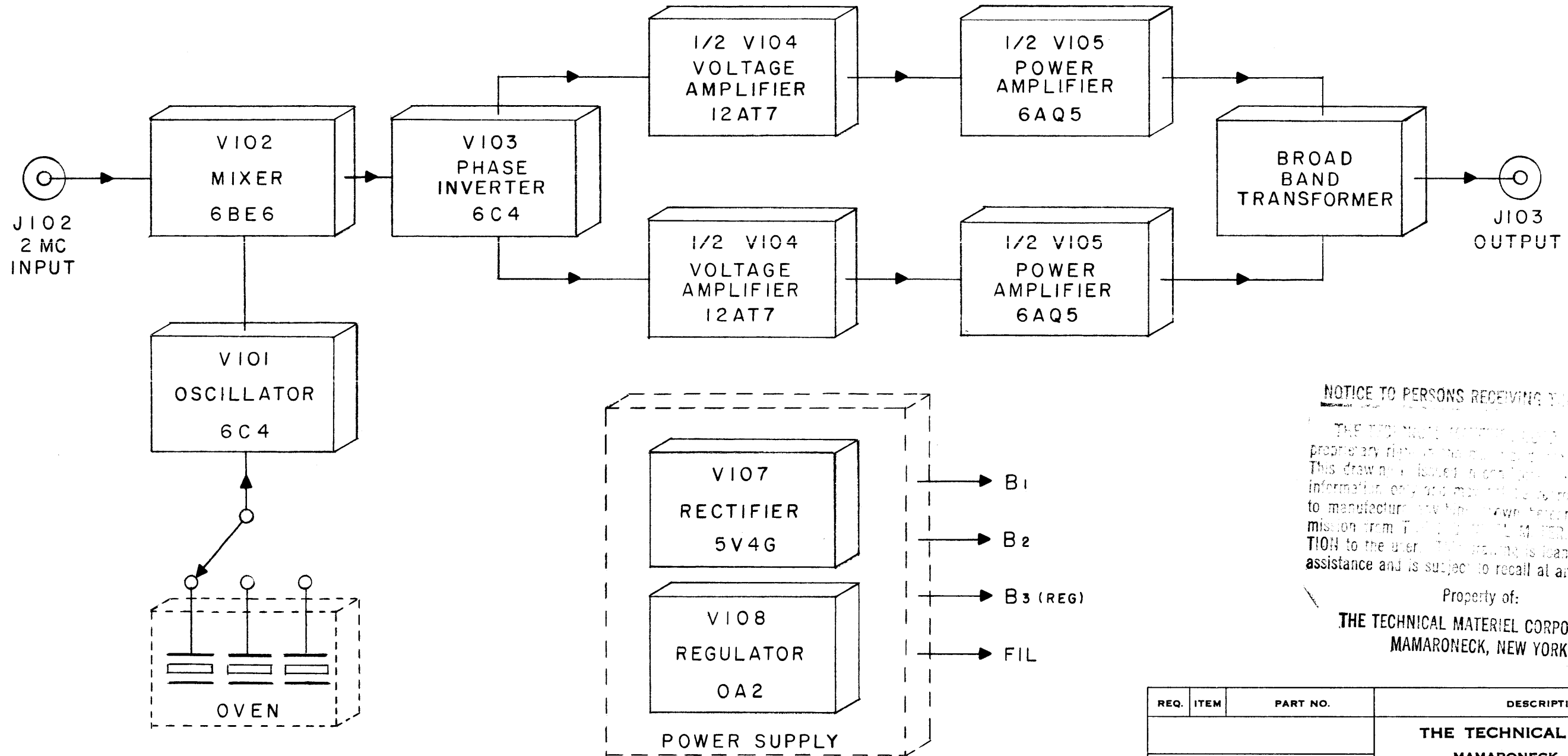


IF IT IS FOUND DESIRABLE TO CHANGE ANY TOLERANCE OR OTHER DETAIL SPECIFIED ON THIS DRAWING NOTIFY THE PURCHASER PROMPTLY.

MAXIMUM ALLOWABLE TOLERANCES HAVE BEEN DETERMINED AND DEVIATIONS WILL BE CAUSE FOR REJECTION. REMOVE ALL BURRS AND SHARP EDGES

CK-116  
A



**NOTICE TO PERSONS RECEIVING THIS DRAWING**

THE TECHNICAL MATERIEL CORP. claims proprietary right in the design of this drawing. This drawing is loaned to you for your use only and may not be reproduced or used to manufacture any hardware without permission from THE TECHNICAL MATERIEL CORPORATION to the user. This drawing is loaned for mutual assistance and is subject to recall at any time.

Property of:  
**THE TECHNICAL MATERIEL CORPORATION**  
MAMARONECK, NEW YORK

REQ.	ITEM	PART NO.	DESCRIPTION	SYMBOL
			<b>THE TECHNICAL MATERIEL CORP.</b> MAMARONECK, NEW YORK	
STOCK SIZE			FUNCTIONAL BLOCK DIAGRAM	
MATERIAL			MODEL LFA	
WEIGHT PER PC.				
TYPE & TEMPER			CDD 4-14-55	M.H.S. <i>WSP</i>
HEAT TREAT. SPEC.			<i>FAID</i>	A.J.J.
FINISH & SPEC. NO.			CHECKED	FINAL APPROVAL
			CK-116    A	

A	1	REDRAWN W/CHANGES	4-14-55	1	CDD	<i>JAG</i>	<i>A.J.J.</i>
ISSUE	ITEM	CHANGED FROM	DATE	CN. NO.	DRAFTS	CHECKER	ENG. APP.
TOLERANCES		SCALE:					
ALL OTHERS	DEC. DIM. ±	DRILL, PUNCH, COMMERCIAL STOCK					
	FRAC. DIM. ±	SIZES AND MANUFACTURERS					
	ANGULAR DIM. ±	TOLERANCES ARE NOT INCLUDED.					
REQ. PER UNIT	LFA	PROJECT NO.	ASS'Y. NO.	DATE	USED ON		