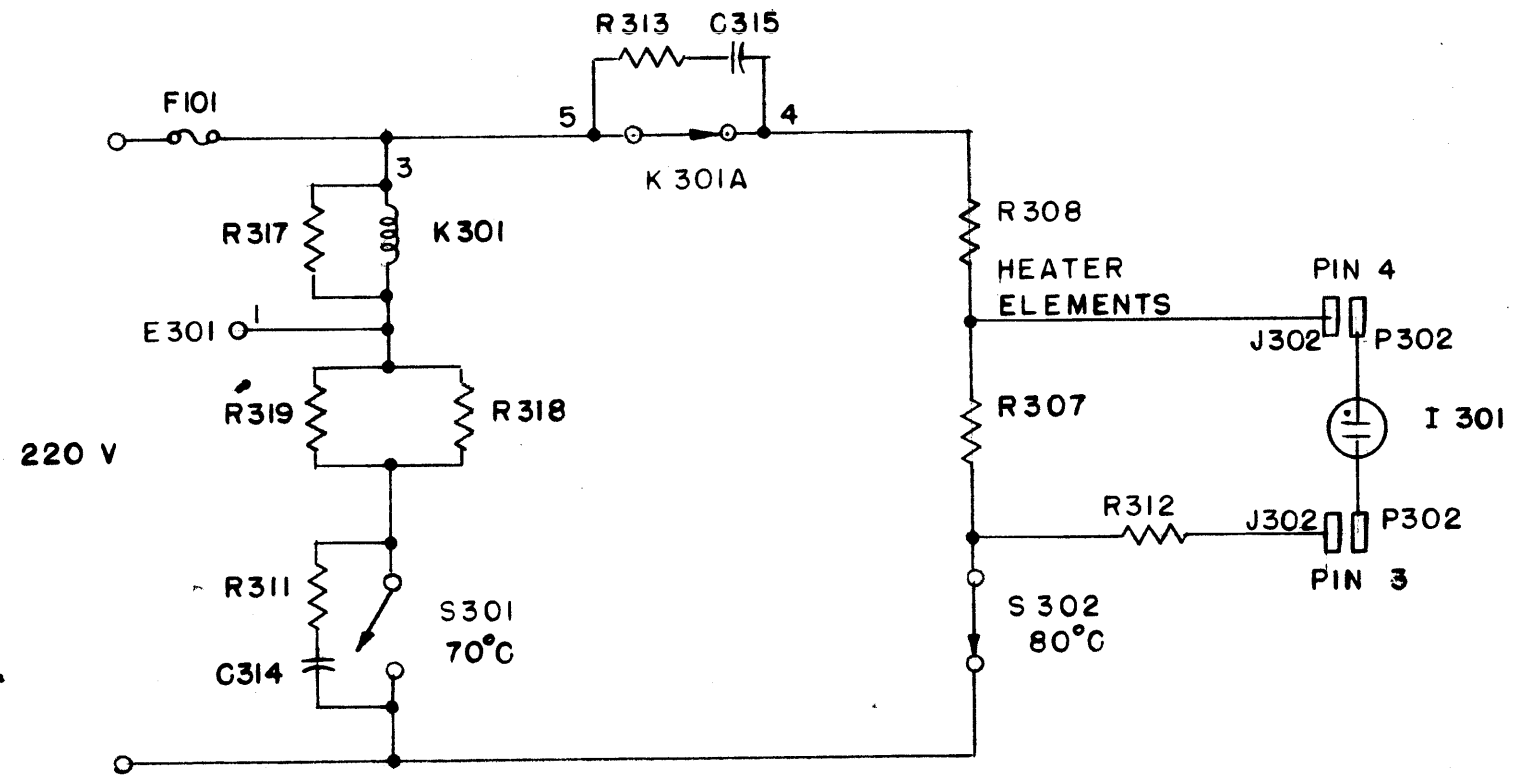
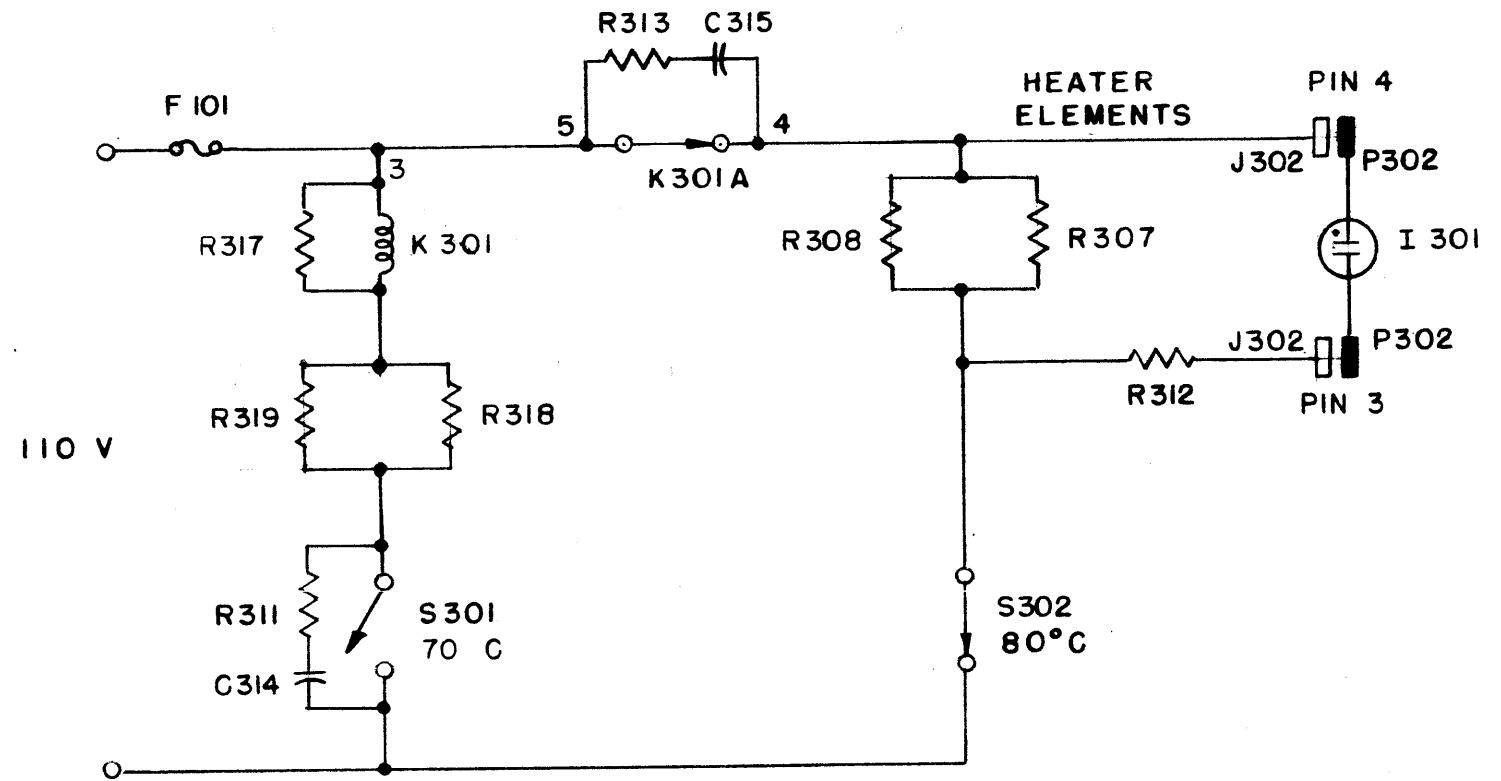


IF IT IS FOUND DESIRABLE TO CHANGE ANY TOLERANCE OR OTHER DETAIL SPECIFIED ON THIS DRAWING NOTIFY THE PURCHASER PROMPTLY.

MAXIMUM ALLOWABLE TOLERANCES HAVE BEEN DETERMINED AND DEVIATIONS WILL BE CAUSE FOR REJECTION. REMOVE ALL BURRS AND SHARP EDGES

CK-110



NOTICE TO PERSONS RECEIVING THIS DRAWING

THE TECHNICAL MATERIEL CORPORATION claims proprietary right in the material disclosed herein. This drawing is issued in confidence for conveying information only and may not be reproduced or used to manufacture anything shown herein without permission from THE TECHNICAL MATERIEL CORPORATION to the user. This drawing is loaned for mutual assistance and is subject to recall at any time.

Property of:
THE TECHNICAL MATERIEL CORPORATION
MAMARONECK, NEW YORK

REQ. ITEM	PART NO.	DESCRIPTION	SYMBOL
		THE TECHNICAL MATERIEL CORP. MAMARONECK. NEW YORK	
STOCK SIZE		THERMOSTAT SWITCH	
MATERIAL		CIRCUIT	
TYPE & TEMPER		<i>JAD</i> 9-17-52 DRAWN ELEC. DES. APP. MECH. DES. APP.	
HEAT TREAT. SPEC.		<i>DRD</i> 9-25-52 CHECKED FINAL APPROVAL	
FINISH & PEC. NO.		CK-110	

ISSUE	ITEM	CHANGED FROM	DATE	CN. NO.	DRAFTS	CHECKER	ENG. APP.	MODEL	PROJECT NO.	ASS'Y. NO.	DATE
								VOX-2			4-25-55
								VOX-1			4-25-55
								VOX	101		9-17-52
USED ON											

TOLERANCES: DEC. DIM. ±, FRAC. DIM. ±, ANGULAR DIM. ±
SCALE: DRILL, PUNCH, COMMERCIAL STOCK SIZES AND MANUFACTURERS TOLERANCES ARE NOT INCLUDED.