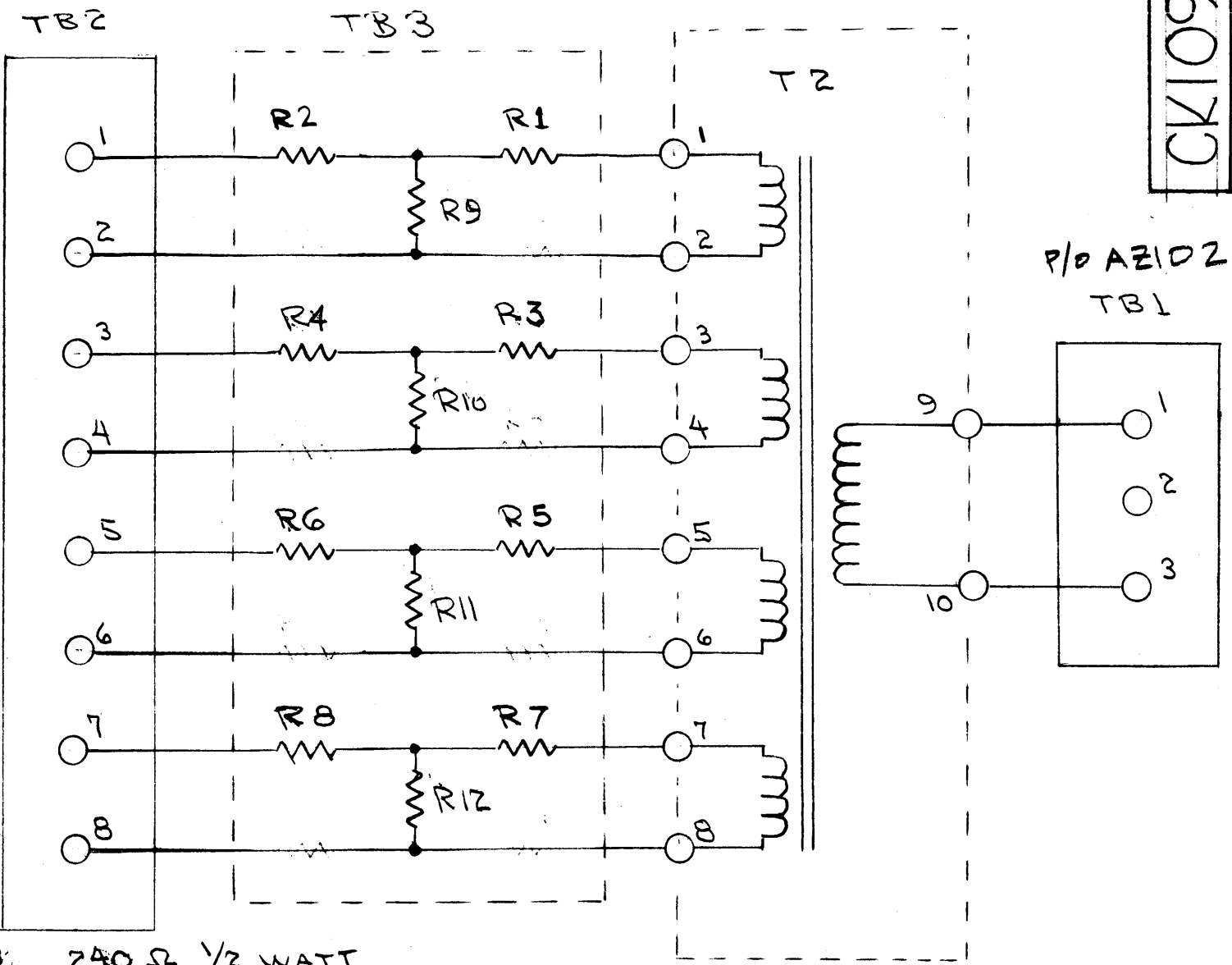


CK1099 A

REVISIONS					
SYM	DESCRIPTION	DATE	E.M.N. NO.	DRAFT	CHKD
Ø	ORIGINAL RELEASE FOR PRODUCTION	2-23-66	-A	Jc	JCB
A	ON TB-3, Relocated Symbols R1 THRU R8	3-7-66	15935	NLA	JCB



R1 - R8: 240 Ω 1/2 WATT  
 R9 - R12: 330 Ω 1/2 WATT

TB-1 P/O BSP AMP.

P/O AZ102 AMPL

REQ'D.	ITEM	PART NUMBER	DESCRIPTION	SYMBOL
N. CARTER LIST OF MATERIAL				
MATERIAL			THE TECHNICAL MATERIEL CORP. MAMARONECK, NEW YORK	
FINISH			TITLE	
			SCHEMATIC, DIAGRAM	
UNLESS OTHERWISE SPECIFIED DIMENSIONS ARE IN INCHES AND INCLUDE CHEMICALLY APPLIED OR PLATED FINISHES			DRAWN	DATE
			CHECKED <i>JCB</i>	DATE 2-23-66
DECIMALS .X ± .05 .XX ± .01 .XXX ± .005			ELECT. DES.	DATE
TOLERANCES			MECH. DES.	DATE
FRACTI NS ± 1/64 ANGLES ± 0° 30'			CK1099 A	
			SHEET	REV. LTR.
			M/L ZB	2/23

**NOTES**

THE CONTENTS OF THIS DRAWING ARE THE EXCLUSIVE PROPERTY OF THE TECHNICAL MATERIEL CORP. ITS UNAUTHORIZED USE OR REPRODUCTION IN WHOLE OR IN PART IS STRICTLY FORBIDDEN.