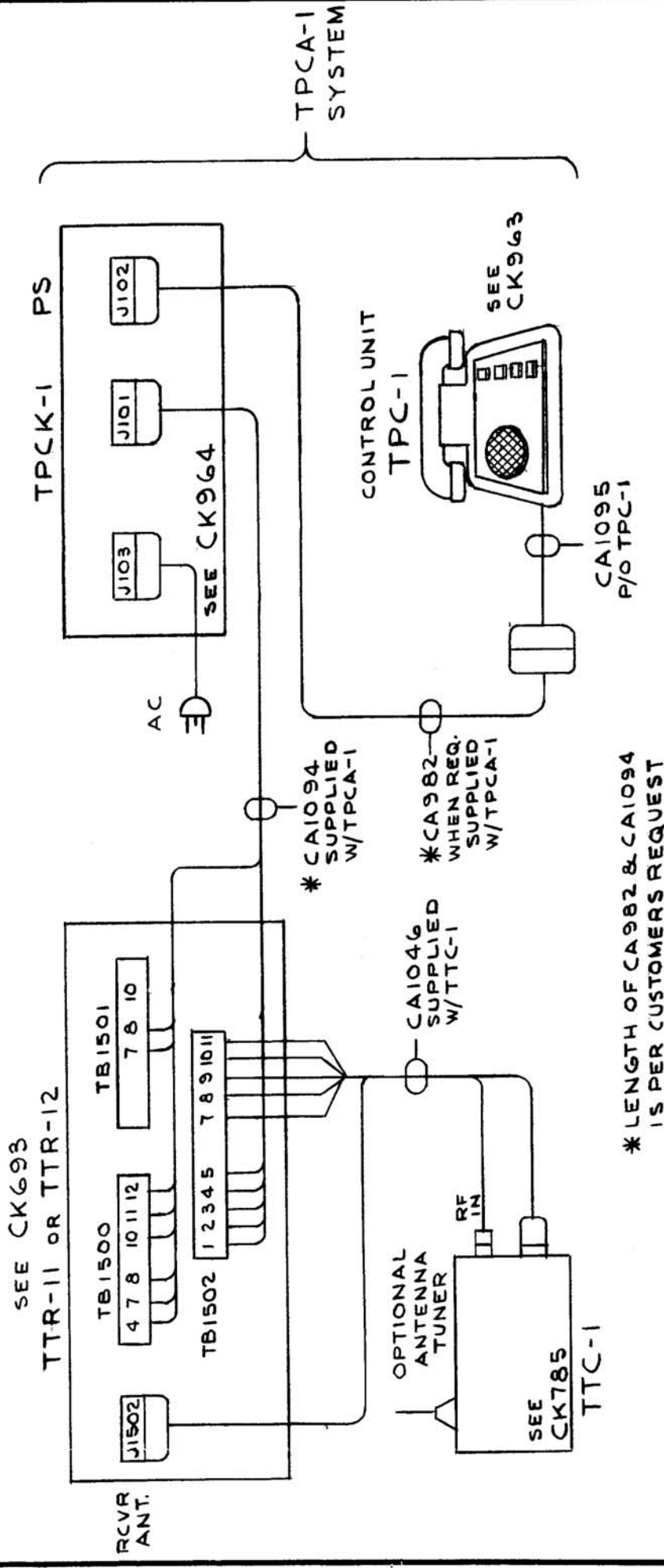


CK1079 B

REQ. PER UNIT	MODEL	USED ON
1	TTC-1	DATE
1	TPCA-1	
1	KIT-252	
1	KIT-278	



REQ. ITEM	PART NO.	DESCRIPTION	SYMBOL
B	15718	PICTORIAL TPC-1 CLARIFIED CONN. FROM J101 TO TTR-11 TB1502 DEL. REVISED CONNECTIONS FR. J101 & J102; ADD #NOTED REF.	THE TECHNICAL MATERIEL CORP. MAMARONECK, NEW YORK
A	15621	DATE 2-9-66	DIAGRAM, INTERCONNECT
SYM	17/29/65	DATE 1/20/66	
UNLESS OTHERWISE SPECIFIED DIMENSIONS ARE IN INCHES AND INCLUDE CHEMICALLY APPLIED OR PLATED FINISHES		SCALE	
TOLERANCES		FRACTIONS	
.X ± .05	± 1/64	ANGLES	
.XX ± .01	± 0° 30'		
.XXX ± .005			
TYPE & TEMPER. HEAT TREAT. SPEC.		MATERIAL	
FINISH & SPEC. NO.		DRAWN	
		CHECKED	
		FINAL APPROVAL	
		J.L.	
		12/29/65	
		ML 29	
		CK1079 B	