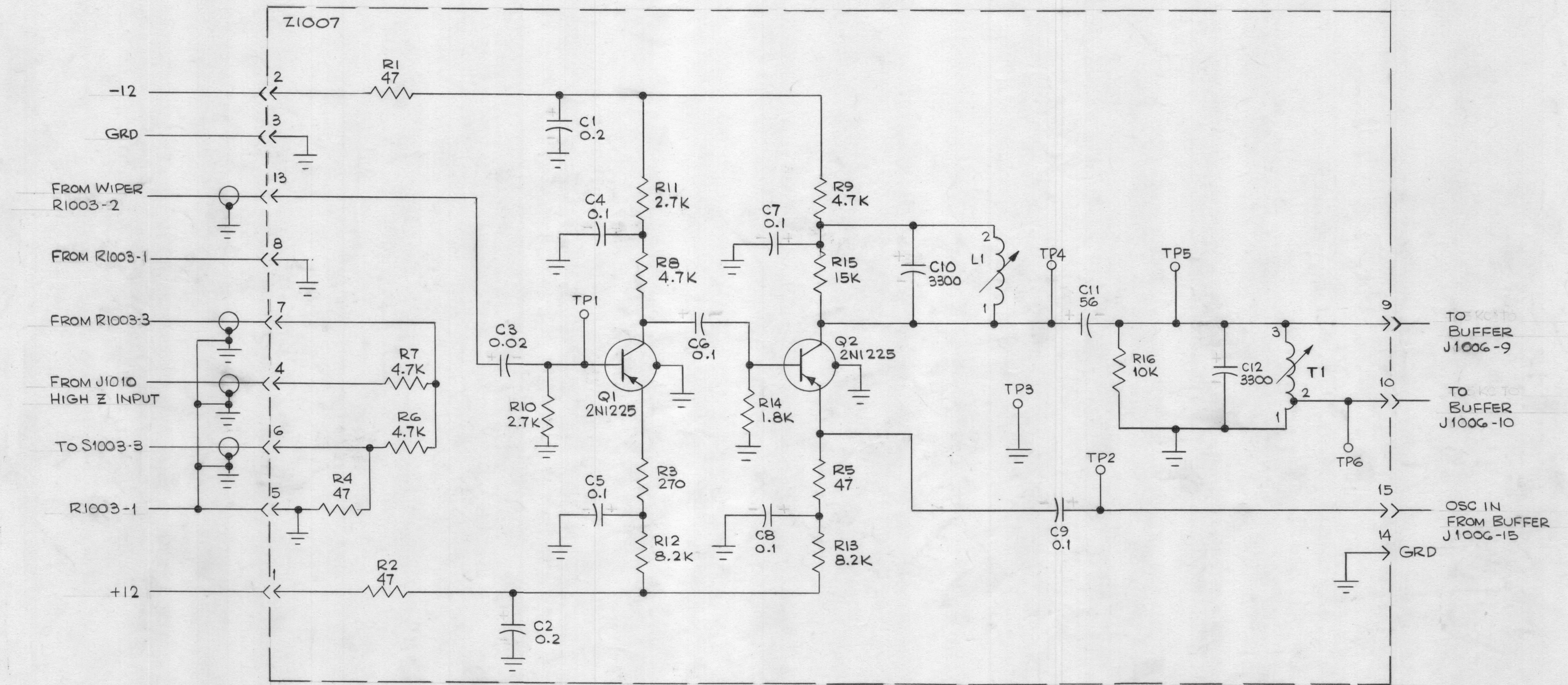


REVISIONS						
ZONE	SYM	DESCRIPTION	DATE	E.M.N. NO.	DRAFT	APPD
	X1	CONN. SYMBOLS WERE "800" SERIES; DELETED POLARITY SYMBOLS, Z1007 SYM. ADDED	1/12/66		HCA	
	Ø	ORIGINAL RELEASE FOR PRODUCTION	2/3/66			JLD



LAST SYMBOLS
C12
L1
Q2
R16
T1
TP6

NOTE:
UNLESS OTHERWISE SPECIFIED

1. ALL WHOLE NUMBER CAPACITOR VALUES ARE IN pf.
2. ALL DECIMAL NUMBER CAPACITOR VALUES ARE IN mf
3. ALL RESISTOR VALUES ARE IN OHMS, 1/2 W.
4. CIRCUIT SYMBOLS - "700" SERIES.

NOTES

QTY/UNIT	MODEL USED ON	ASS'Y. NO.
	CDN-3	A4351
SCALE	CODE	

THE CONTENTS OF THIS DRAWING ARE THE EXCLUSIVE PROPERTY OF THE TECHNICAL MATERIEL CORP. ITS UNAUTHORIZED USE OR REPRODUCTION IN WHOLE OR IN PART IS STRICTLY FORBIDDEN.

REQ'D.	ITEM	PART NUMBER	DESCRIPTION	SYMBOL
POSE LIST OF MATERIAL 5015-109 (PC 241)				
MATERIAL		THE TECHNICAL MATERIEL CORP. MAMARONECK, NEW YORK		
FINISH		TITLE DIAGRAM, SCHEMATIC IN & OUT		
UNLESS OTHERWISE SPECIFIED DIMENSIONS ARE IN INCHES AND INCLUDE CHEMICALLY APPLIED OR PLATED FINISHES		DRAWN H. AUSTIN	DATE 12-1-65	FINAL APPROVAL [Signature]
DECIMALS .X ± .05 .XX ± .01 .XXX ± .005		CHECKED [Signature]	DATE 1-18-66	DATE 2/4/66
TOLERANCES		ELECT. DES. [Signature]	DATE 2-3-66	CK1075
FRACTIONS ± 1/64 ANGLES ± 0° 30'		MECH. DES.	DATE	REV. LTR.
		SHEET		21539

CK1075

H
G
F
E
D
C
B
A

H
G
F
E
D
C
B
A