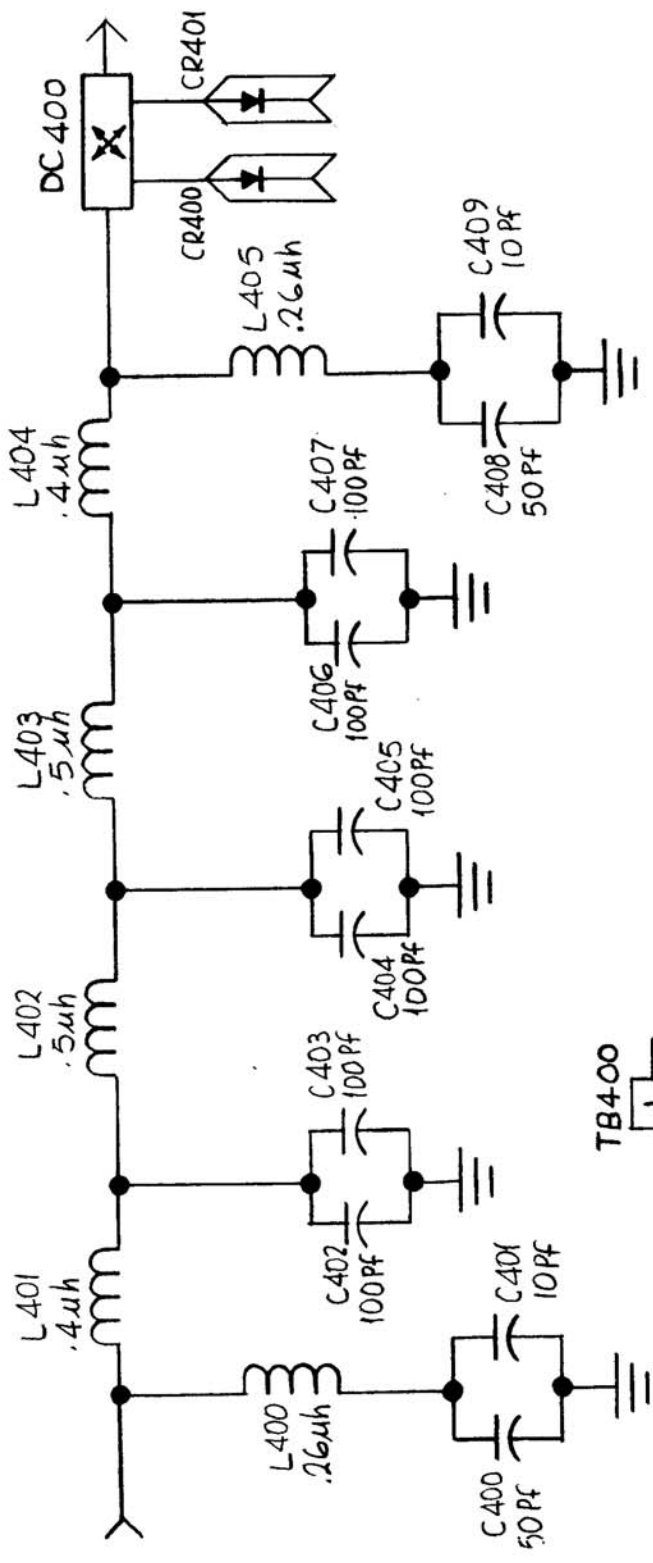


REQ. UNIT	MODEL	USED ON	DATE
1	TST-10K (AF104)	ASSY. NO.	10-6-65
		CK1050	A



REQ. ITEM	PART NO.	F. BUDETTI	DESCRIPTION	SYMBOL
			THE TECHNICAL MATERIEL CORP. MAMARONECK, N.Y.	
	STOCK SIZE		DIAGRAM, SCHEMATIC	
	MATERIAL		LOW PASS FILTER, FIXED	
TYPE & TEMPER	HEAT TREAT. SPEC.	DRAWN	CHECKED	FINAL APPROVAL
				MA
FINISH & SPEC. NO.	ELEC. DES. APP.	MECH. DES. APP.		
				CK1050
				A

DATE	6-29-67	18340	L.A.K.	FB
DATE	8-25-66		RME	
DATE	11-23-65	X1		DA
DESCRIPTION	ADDED TB400 & B400			
DESCRIPTION	ORIGINAL RELEASE FOR PRODUCTION			
DESCRIPTION	CR.400, CR.401 ADDED, DC.400 CH.			
UNLESS OTHERWISE SPECIFIED DIMENSIONS ARE IN INCHES AND INCLUDE CHEMICALLY APPLIED OR PLATED FINISHES				
TOLERANCES				
DECIMALS				
X ± .05				
XX ± .01				
.XXX ± .005				
FRACTIONS				
± 1/64				
ANGLES				
± 0° 30'				