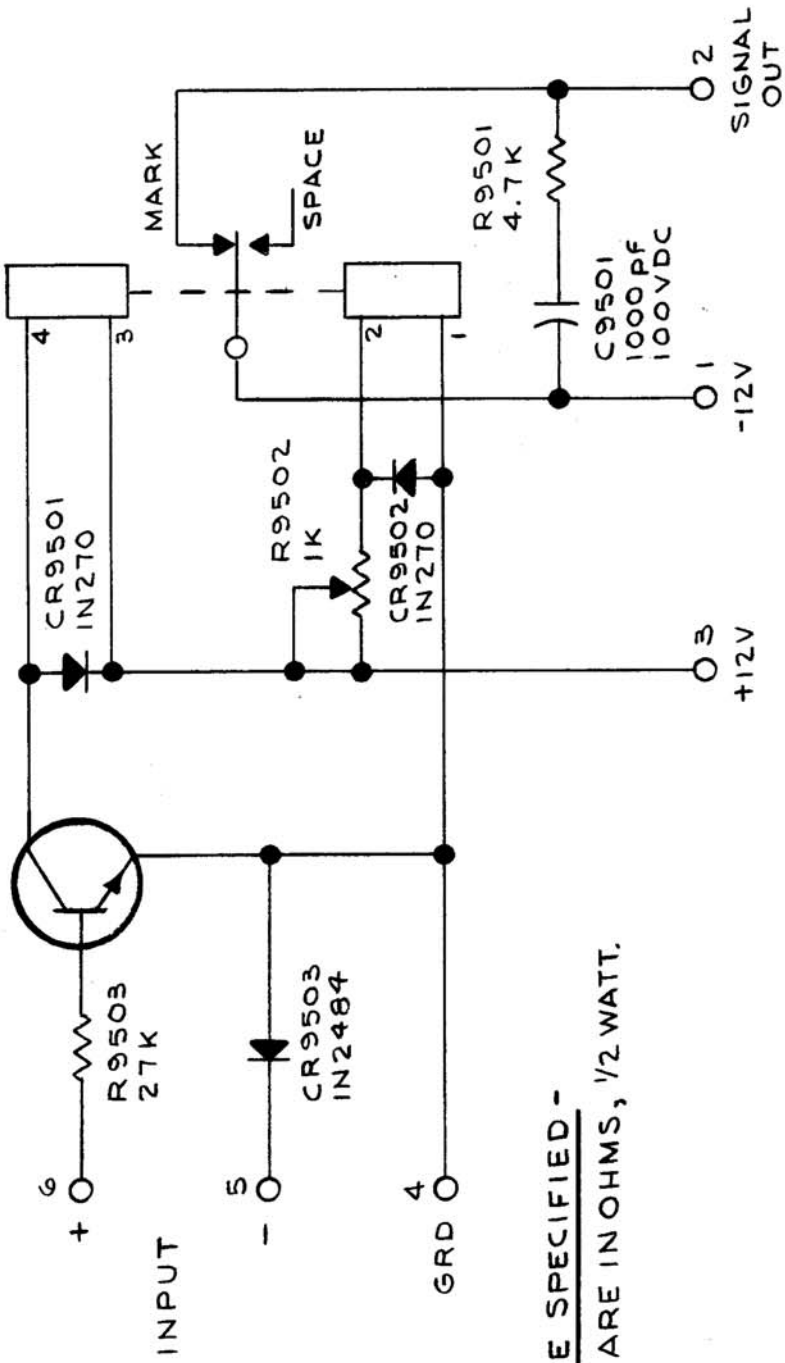


REQ. PER UNIT	USED ON	CK1042	A
MODEL	ASSY. NO.	AK101	
	DATE	9-14-65	

Q9501  
2N3646



- UNLESS OTHERWISE SPECIFIED -  
I- ALL RESISTOR VALUES ARE IN OHMS, 1/2 WATT.

SYMBOLS	
LAST	MISSING
R9503	
C9501	
Q9503	
Q9501	

REQ. ITEM	PART NO.	DESCRIPTION	SYMBOL
		THE TECHNICAL MATERIEL CORP. MAMARONECK, NEW YORK	
		DIAGRAM, SCHEMATIC (KEYER)	
		J. LESHINSKI DRAWN	
		N. LaBate ELEC. DES. APP.	
		12/16/65 CHECKED	
		FINAL APPROVAL	
		CK1042	A