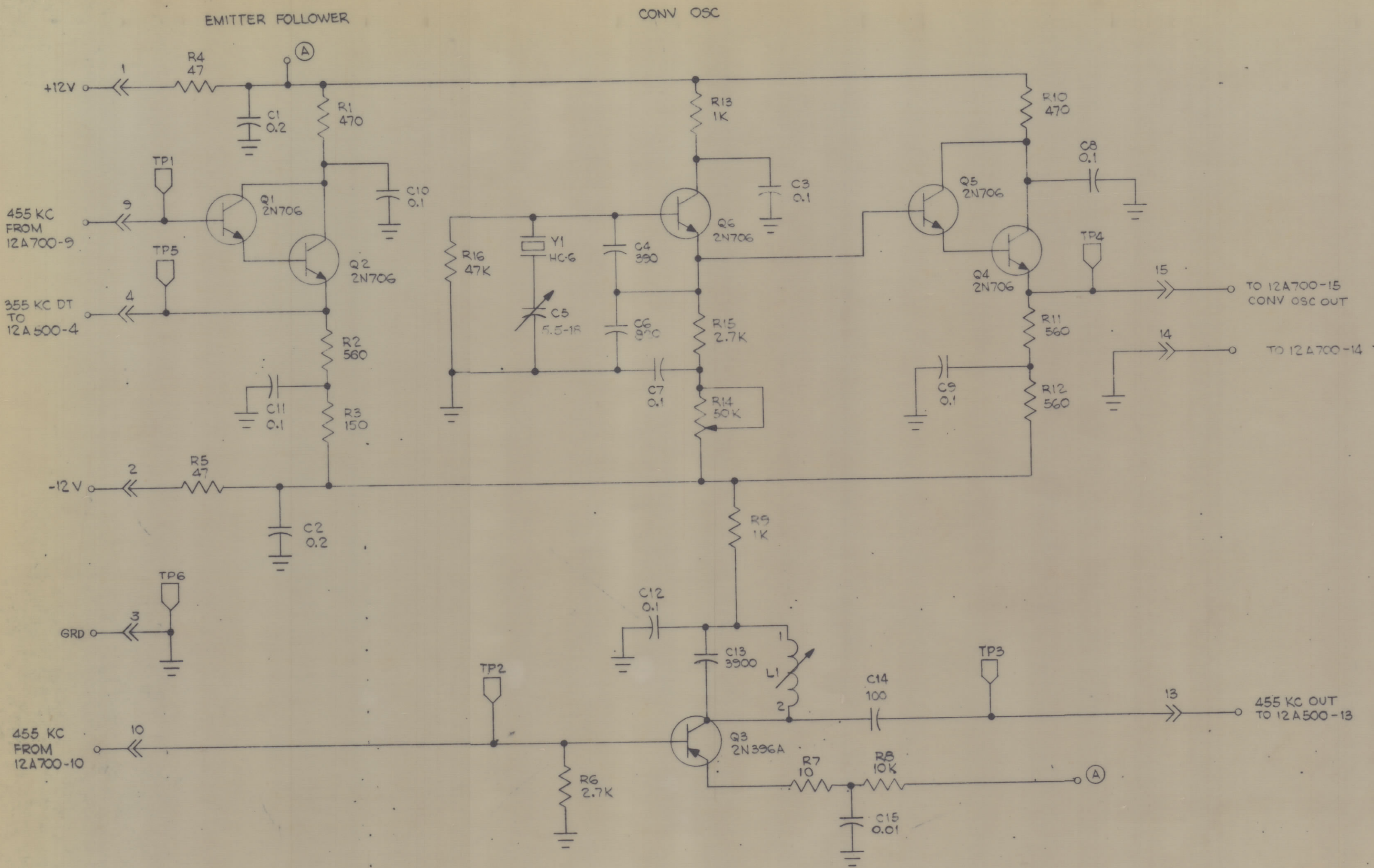


| REVISIONS | | | | | | | |
|-----------|-----|---------------------------------|--------|------------|--------|------|------|
| ZONE | SYM | DESCRIPTION | DATE | E.M.N. NO. | DRAFT | CHKD | APPO |
| | Ø | ORIGINAL RELEASE FOR PRODUCTION | 4-5-66 | Ø | G.D.L. | | |



NOTE:
 UNLESS OTHERWISE SPECIFIED -
 1. ALL Whole Number Capacitor Values Are in pf.
 2. ALL Decimal Number Capacitor Values Are in .uf.
 3. ALL Resistor Values Are in Ohms.

CK1036 Ø

| REQ'D. | ITEM | PART NUMBER | DESCRIPTION | SYMBOL |
|---------------------------------------|------|----------------|--------------------|--------|
| LIST OF MATERIAL 5015-108 | | | | |
| THE TECHNICAL MATERIEL CORP. | | | | |
| MAMARONECK, NEW YORK | | | | |
| MATERIAL | | | TITLE | |
| | | | DIAGRAM, SCHEMATIC | |
| FINISH | | | BUFF 100 | |
| | | | 12A600 | |
| UNLESS OTHERWISE SPECIFIED | | DRAWN | | |
| DIMENSIONS ARE IN INCHES AND INCLUDE | | DATE 11/3/66 | | |
| CHEMICALLY APPLIED OR PLATED FINISHES | | FINAL APPROVAL | | |
| DECIMALS | | DATE 4/5/66 | | |
| ± .05 | | CK1036 Ø | | |
| ± .01 | | SHEET | | |
| ± .005 | | REV. LTR. | | |
| FRACTIONS | | DATE | | |
| ± 1/64 | | SHEET | | |
| ANGLES | | DATE | | |
| ± 0° 30' | | SHEET | | |

| CDN-2 | | ASSY. NO. |
|----------|---------------|-----------|
| QTY/UNIT | MODEL USED ON | |
| SCALE | CODE | |
| | | |

NOTES

THE CONTENTS OF THIS DRAWING ARE THE EXCLUSIVE PROPERTY OF THE TECHNICAL MATERIEL CORP. ITS UNAUTHORIZED USE OR REPRODUCTION IN WHOLE OR IN PART IS STRICTLY FORBIDDEN.

2 ML 28 4/5/66