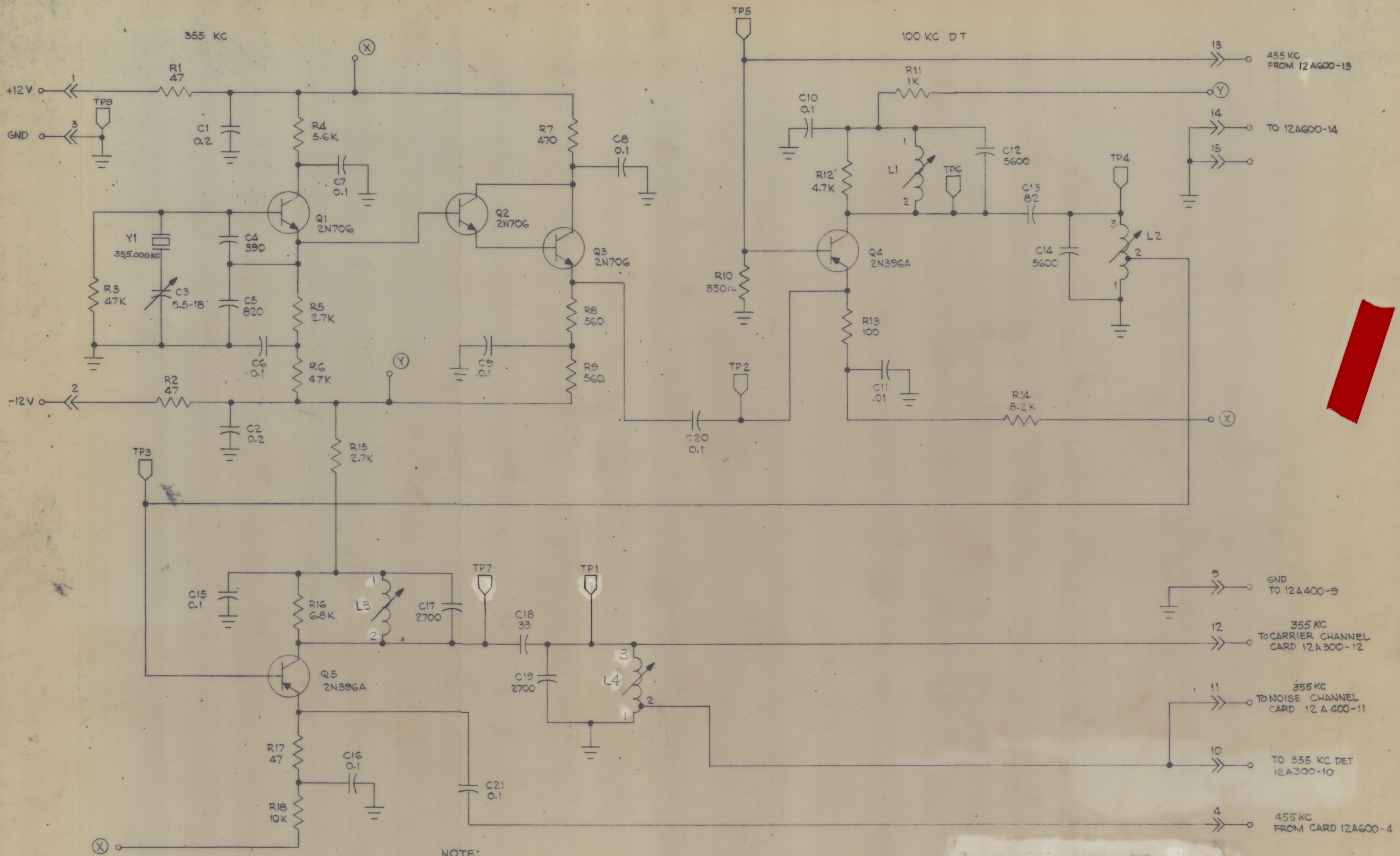


REVISIONS					
ZONE	SYM	DESCRIPTION	DATE	E.M.N. NO.	DRAFT
		ORIGINAL RELEASE FOR PRODUCTION	4-5-66		G.D.L.



NOTE:
 UNLESS OTHERWISE SPECIFIED -
 1. All Whole Number Capacitor Values Are in pf.
 2. All Decimal Number Capacitor Values Are in uf.
 3. All Resistor Values Are in Ohms.

REQ'D.	ITEM	PART NUMBER	DESCRIPTION	SYMBOL
LIST OF MATERIAL 5015-107				
THE TECHNICAL MATERIEL CORP. MAMARONECK, NEW YORK				
TITLE DIAGRAM, SCHEMATIC MA 100-1 12A 500				
DRAWN <i>[Signature]</i>		DATE 11/13/64	FINAL APPROVAL <i>[Signature]</i>	
CHECKED <i>[Signature]</i>		DATE 12-8-64	DATE 4/5/66	
ELECT. DES. <i>[Signature]</i>		DATE 12-8-64	DATE 12-8-64	
MECH. DES.		DATE	DATE	
DECIMALS .X ± .05		TOLERANCES ± 1/64 ANGLES ± 0° 30'		REV. LTR.
SCALE		THE CONTENTS OF THIS DRAWING ARE THE EXCLUSIVE PROPERTY OF THE TECHNICAL MATERIEL CORP. ITS UNAUTHORIZED USE OR REPRODUCTION IN WHOLE OR IN PART IS STRICTLY FORBIDDEN.		REV. LTR.

CK1035

