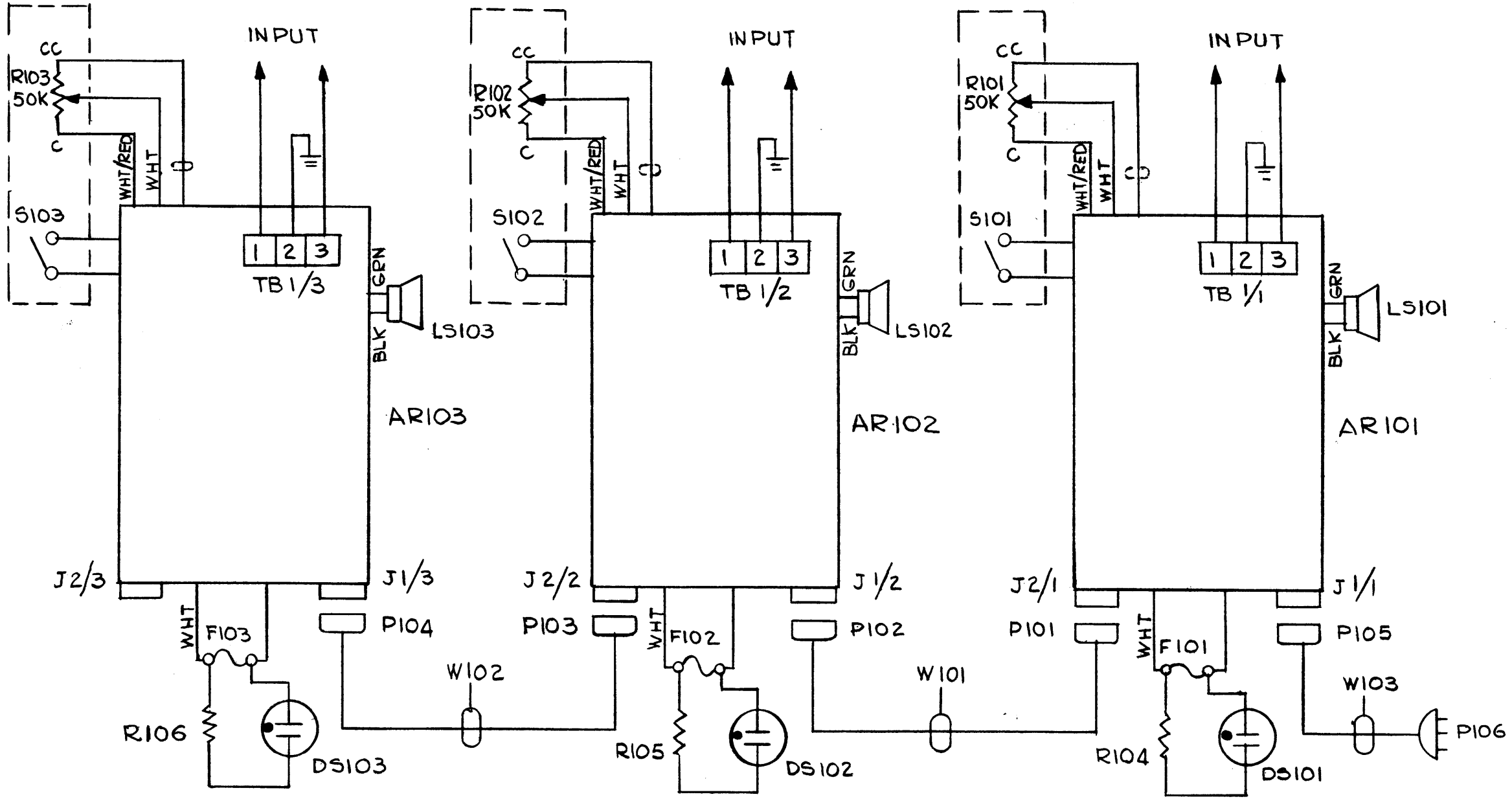


REVISIONS					
SYM	DESCRIPTION	DATE	E.M.N. NO.	DRAFT	CHKD APPD
Ø	ORIGINAL RELEASE FOR PRODUCTION	8/23/65	Ø	AVV	
A	.062A WAS 1/10A; .032A WAS 1/16A	1/31/66	15627	NLA	JCB MM
B	F101,102,103: .1A WAS .062A, .062A WAS .032A	3-16-66	15964	MM	JCB MM



- LAST SYMBOL Nos.
- AR 103
 - DS 103
 - F 103
 - J 1/3
 - J 2/3
 - LS 103
 - P 106
 - R 106
 - TB 1/3
 - W 103

— AUDIO AMPLIFIERS —
(SEE NOTE 1)

- 1- FOR SCHEMATIC DIAGRAM OF AUDIO AMPLIFIERS (TMC No. AZ102) SEE CK 751.
- 2- FUSE F101, F102 AND F103 ARE .1A FOR 115V AC OPERATION .062A FOR 230V AC.

NOTES

1	BSP-3D	
Q'TY./UNIT	MODEL USED ON	ASS'Y. NO.
SCALE	CODE	

THE CONTENTS OF THIS DRAWING ARE THE EXCLUSIVE PROPERTY OF THE TECHNICAL MATERIEL CORP. ITS UNAUTHORIZED USE OR REPRODUCTION IN WHOLE OR IN PART IS STRICTLY FORBIDDEN.

REQ'D.	ITEM	PART NUMBER	DESCRIPTION	SYMBOL
O. POSE LIST OF MATERIAL				
MATERIAL		THE TECHNICAL MATERIEL CORP. MAMARONECK, NEW YORK		
FINISH		TITLE DIAGRAM, SCHEMATIC		
UNLESS OTHERWISE SPECIFIED DIMENSIONS ARE IN INCHES AND INCLUDE CHEMICALLY APPLIED OR PLATED FINISHES				
DRAWN G.D.L		DATE 8-23-65	FINAL APPROVAL	
CHECKED		DATE 8/23/65	DATE	
ELECT. DES.		DATE	CK1027	
MECH. DES.		DATE	B	
DECIMALS .X ± .05 .XX ± .01 .XXX ± .005			FRACTI NS ± 1/64 ANGLES ± 0° 30'	
TOLERANCES			SHEET	
			REV. LTR.	