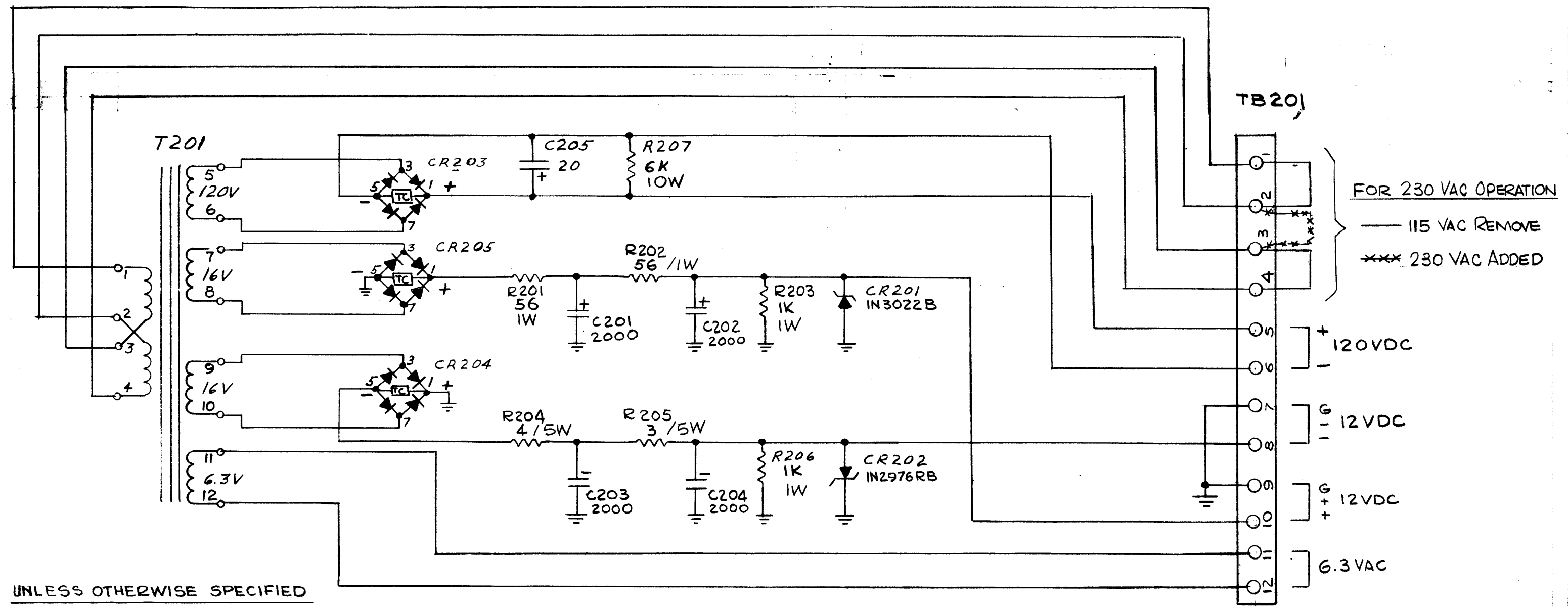


CK1026

REVISIONS

SYM	DESCRIPTION	DATE	E.M.N. NO.	DRAFT	CHKD	APPD
X1	SYMBOLIZED CR203, CR204, CR205	19 AUG 65	X1	Bm		
X2	Added Notes	24 AUG 65	X2	Bm		
X3	PICTORIAL CLARIFIED, WATT VALUES ADDED TO ALL RESISTORS	9-9-65	X3	C.D.L		
	ORIGINAL RELEASE FOR PRODUCTION	10/28/65				



UNLESS OTHERWISE SPECIFIED
 ALL CAPACITORS ARE IN MFD
 ALL RESISTORS ARE IN OHMS

LAST SYMBOLS

- C205
- CR205
- R207
- T201
- TB201

NOTES

1	RARB-1	A5129
1	RA9B-1	A5129
Q'TY./UNIT	MODEL USED ON	ASSY. NO.
SCALE	CODE	

THE CONTENTS OF THIS DRAWING ARE THE EXCLUSIVE PROPERTY OF THE TECHNICAL MATERIEL CORP. ITS UNAUTHORIZED USE OR REPRODUCTION IN WHOLE OR IN PART IS STRICTLY FORBIDDEN.

REQ'D.	ITEM	PART NUMBER	DESCRIPTION	SYMBOL
LANGER LIST OF MATERIAL				
MATERIAL			THE TECHNICAL MATERIEL CORP. MAMARONECK, NEW YORK	
FINISH			TITLE DIAGRAM, SCHEMATIC POWER SUPPLY	
UNLESS OTHERWISE SPECIFIED DIMENSIONS ARE IN INCHES AND INCLUDE CHEMICALLY APPLIED OR PLATED FINISHES			DRAWN Bm	DATE 12 AUG 65
DECIMALS .X ± .05 .XX ± .01 .XXX ± .005			CHECKED JCB	DATE 9/29/65
FRACTIONS ± 1/64 ANGLES ± 0° 30'			ELECT. DES. Bm	DATE
TOLERANCES			MECH. DES.	DATE
			FINAL APPROVAL [Signature]	DATE 10/28/65
			CK1026	
			SHEET	REV. LTR.