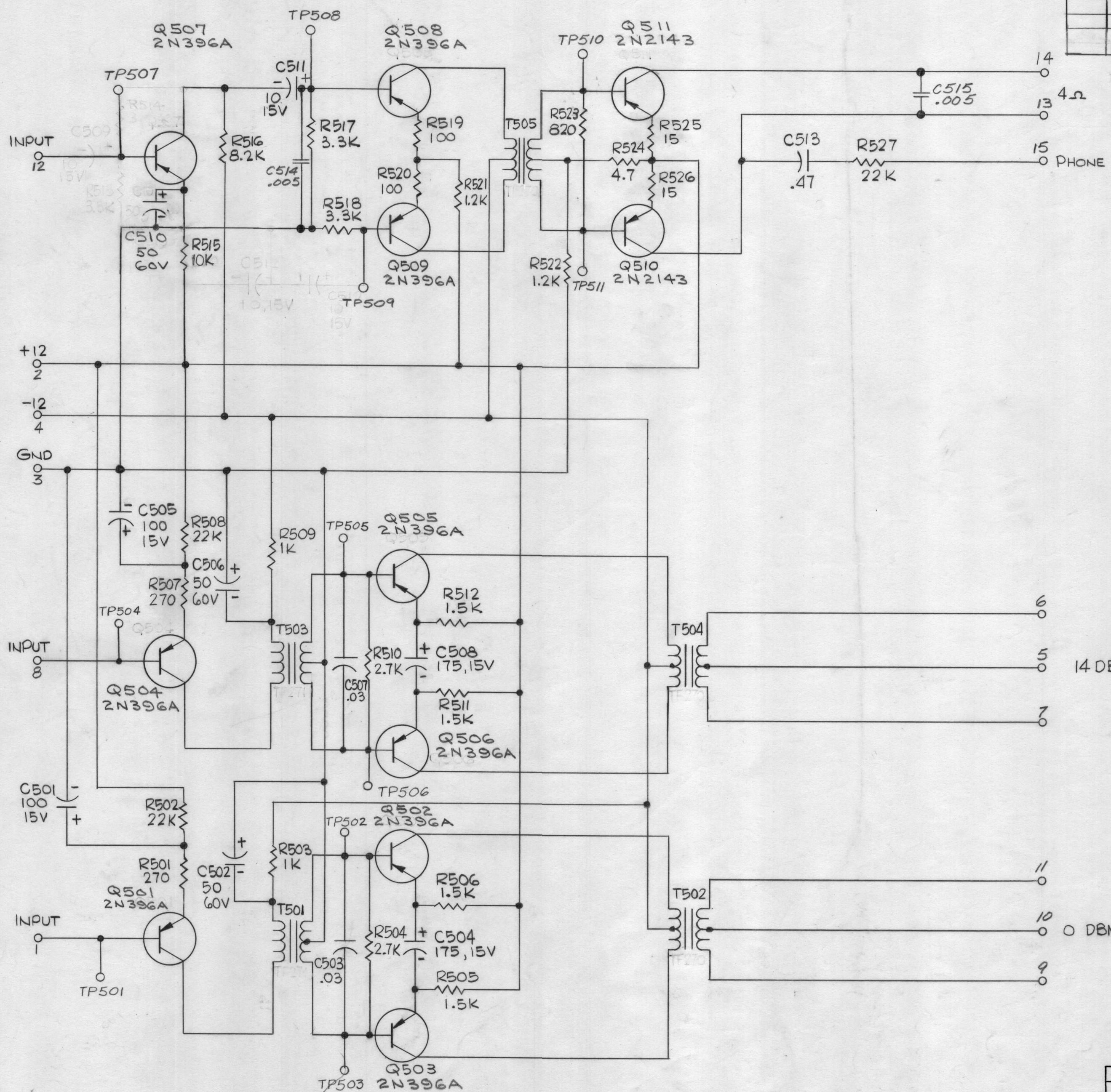


REVISIONS						
ZONE	SYM	DESCRIPTION	DATE	E.M.N. NO.	DRAFT	CHKD
	X1	REDRAWN FOR CLARIFICATION (W/OUT CHANGES)	10-7-65		HGA	
	X2	R515 RELOCATED, R509, 1K ADDED (ERROR)	11/13/65	M	Jc	
	Ø	ORIGINAL RELEASE FOR PROD	11/13/65			
	A	TP501 THRU TP5011 TERM. NO. 1 THRU 15 ADDED C509, C512, C513, C514 DELETED	11/13/65	15417	H.V.	JCB/MLB



UNLESS OTHERWISE SPECIFIED
ALL RESISTORS TO BE IN OHMS, 1/2W
ALL CAPACITORS TO BE IN MICROFARADS

LAST SYMBOLS	MISSING SYMBOLS
C515	C509
Q511	C512
R527	R513
T505	R514
TP511	

CR1017 A

VLRE-1		
QTY./UNIT	MODEL USED ON	ASS'Y. NO.
SCALE	CODE	

REQ'D.	ITEM	PART NUMBER	DESCRIPTION	SYMBOL
POSE LIST OF MATERIAL				
MATERIAL		THE TECHNICAL MATERIEL CORP. MAMARONECK, NEW YORK		
FINISH		TITLE DIAGRAM, SCHEMATIC AUDIO BOARD		
UNLESS OTHERWISE SPECIFIED DIMENSIONS ARE IN INCHES AND INCLUDE CHEMICALLY APPLIED OR PLATED FINISHES		DRAWN H. AUSTIN CHECKED MAB	DATE 10-7-65 DATE 11-13-65	FINAL APPROVAL [Signature] DATE 11-13-65
DECIMALS .X ± .05 .XX ± .01 .XXX ± .005		FRACTIONS ± 1/64 ANGLES ± 0° 30'		ELECT. DES. MAB MECH. DES. DATE SHEET REV. LTR.
THE CONTENTS OF THIS DRAWING ARE THE EXCLUSIVE PROPERTY OF THE TECHNICAL MATERIEL CORP. ITS UNAUTHORIZED USE OR REPRODUCTION IN WHOLE OR IN PART IS STRICTLY FORBIDDEN.		CK1017 A		

NOTES