

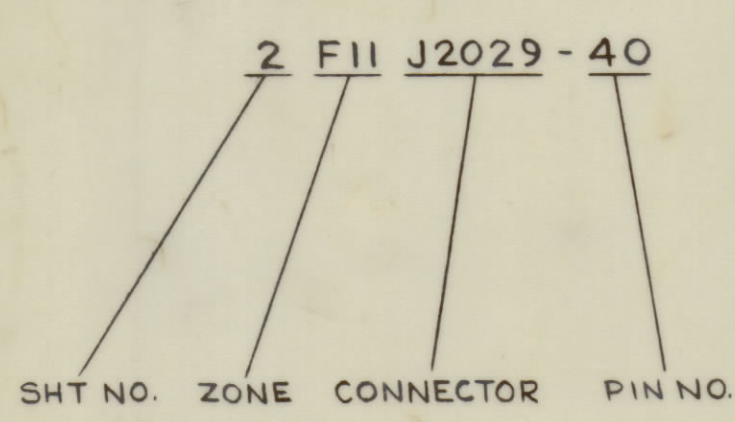
REVISIONS						
BYM	DESCRIPTION	DATE	BY	CHKD	APPD	
	ORIGINAL RELEASE	7/4/65	H	E		
A	COMPLETELY REVISED	11/16/65	15598	WLL		

CARDS USED

PART NO.	DESCRIPTION	CONNECTOR NO.	LOCATION	B+ INPUT	B- INPUT
PC144/A3761	RESET CKT FOR MEMORY FF'S	J2001	SHT 3	PIN 5	PIN 37
PC141/A3758	SHIFT REGISTER FOR MEMORY FF'S	J2002	SHT 6	" 5	" 37
PC121/A3688	READOUT MEMORY FF'S	J2003	SHT 6	" 5	" 37
"	"	J2004	" 6	" 5	" 37
PC124/A3691	READOUT CKT FOR KC NIXIE DRIVERS	J2005	" 6	"	" 37
PC141/A3758	SHIFT REGISTER FOR MEMORY FF'S	J2009	" 7	" 5	" 37
PC121/A3688	SHIFT REGISTER MEMORY FF'S	J2012	" 7	" 5	" 37
PC123/A3690	READOUT DRIVE CKT	J2013	" 7	"	" 39
PC124/A3691	R'OUT DRIVE CKT FOR NIXIE DRIVERS	J2016	" 5	"	" 37
PC121/A3688	READOUT MEMORY FF'S	J2017	" 5	" 5	" 37
"	"	J2018	" 5	" 5	" 37
PC138/A3755	AND-OR LOGIC FOR MC R'OUTS	J2019	" 4	" 5	" 37
PC145/A3754	NOR LOGIC FOR MC I0'S, 20'S, 30'S	J2020	" 4	" 5	" 37
PC140/A3757	NOR LOGIC FOR MC I'S	J2021	" 4	" 5	" 37
"	"	J2022	" 4	" 5	" 37
PC143/A3760	FIRST LOGIC STAGE-MC R'OUTS	J2023	" 3	"	" 37
PC121/A3688	READOUT MEMORY FF'S	J2024	" 3	" 5	" 37
PC142/A3759	MC SHIFT REGISTER	J2025	" 3	" 5	" 37
PC160/A3794	TIMING & RESET CKT	J2026	" 2	" 5	" 37
PC139/A3756	CODE STORAGE - INPUT SH. REG.	J2027	" 2	" 5	" 37
PC127/A3694	INITIAL RESET CKT	J2028	" 1	" 5	" 37
PC221/A 4294	SERIAL TO PARALLEL SH. REG.	J2029	" 2	" 5	" 37
PC220/A4295	SER. TO PAR. CLOCK CKT	J2030	" 1	" 5	" 37

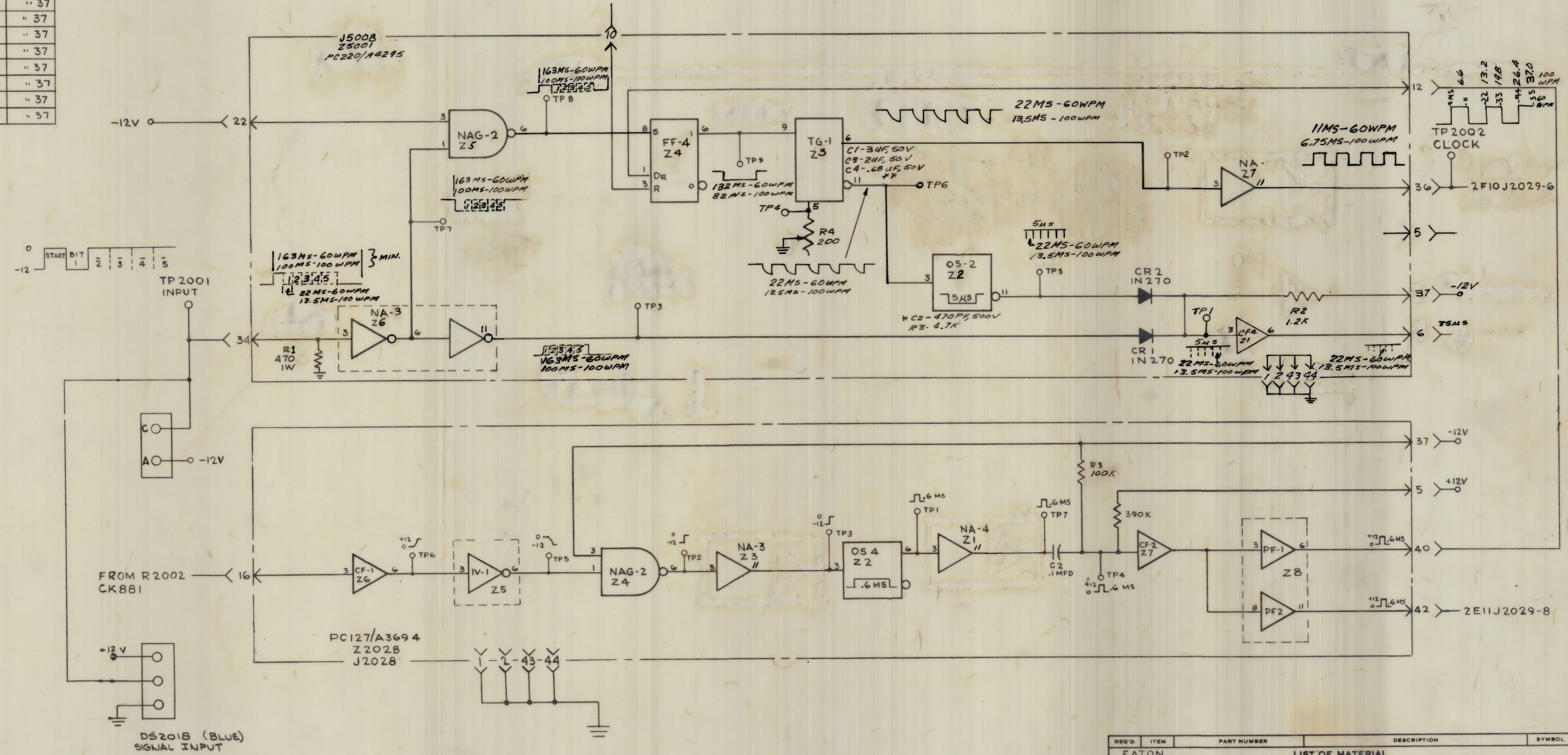
NOTES:
 1 - GROUND CONNECTION THRU PINS 1, 2, 43 & 44 FOR ALL CARDS.

DWG DESTINATION



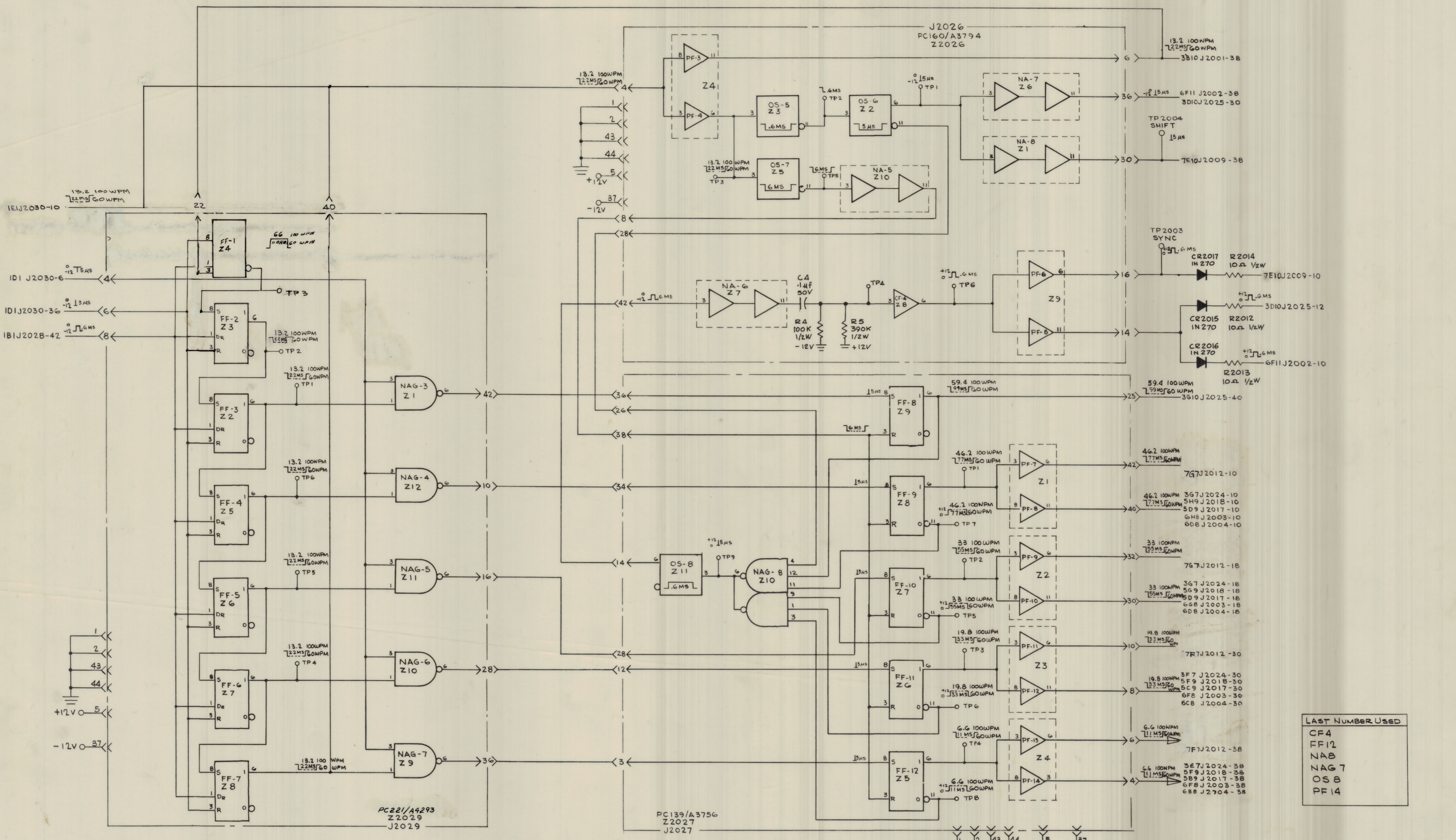
LAST NUMBER USED

CF2
FF1
IV1
NA4
NAG2
OS4
PF2
TG1



REQ'D	ITEM	PART NUMBER	DESCRIPTION	SYMBOL
EATON LIST OF MATERIAL				
MATERIAL THE TECHNICAL MATERIEL CORP. MAMARONECK, NEW YORK				
FINISH TITLE DIAGRAM LOGIC DETAILED (RT1E-1)				
UNLESS OTHERWISE SPECIFIED DIMENSIONS ARE IN INCHES AND INCLUDE CHEMICALLY APPLIED OR PLATED FINISHES				
DECIMALS	1/2 = .50	FRACTIONS	3/16	DATE
1/16 = .0625	1/8 = .125	1/4 = .25	1/2 = .50	DATE
1/32 = .03125	3/32 = .09375	1/2 = .50	1 = 1.00	DATE
1/64 = .015625	5/16 = .3125	1 = 1.00	2 = 2.00	DATE
1/128 = .0078125	3/8 = .375	1 = 1.00	3 = 3.00	DATE
1/256 = .00390625	1/2 = .50	1 = 1.00	4 = 4.00	DATE
1/512 = .001953125	3/4 = .75	1 = 1.00	5 = 5.00	DATE
1/1024 = .0009765625	1 = 1.00	1 = 1.00	6 = 6.00	DATE
1/2048 = .00048828125	1 = 1.00	1 = 1.00	7 = 7.00	DATE
1/4096 = .000244140625	1 = 1.00	1 = 1.00	8 = 8.00	DATE
1/8192 = .0001220703125	1 = 1.00	1 = 1.00	9 = 9.00	DATE
1/16384 = .00006103515625	1 = 1.00	1 = 1.00	10 = 10.00	DATE
1/32768 = .000030517578125	1 = 1.00	1 = 1.00	11 = 11.00	DATE
1/65536 = .0000152587890625	1 = 1.00	1 = 1.00	12 = 12.00	DATE
1/131072 = .00000762939453125	1 = 1.00	1 = 1.00	13 = 13.00	DATE
1/262144 = .000003814697265625	1 = 1.00	1 = 1.00	14 = 14.00	DATE
1/524288 = .0000019073486328125	1 = 1.00	1 = 1.00	15 = 15.00	DATE
1/1048576 = .00000095367431640625	1 = 1.00	1 = 1.00	16 = 16.00	DATE
1/2097152 = .000000476837158203125	1 = 1.00	1 = 1.00	17 = 17.00	DATE
1/4194304 = .0000002384185791015625	1 = 1.00	1 = 1.00	18 = 18.00	DATE
1/8388608 = .00000011920928955078125	1 = 1.00	1 = 1.00	19 = 19.00	DATE
1/16777216 = .000000059604644775390625	1 = 1.00	1 = 1.00	20 = 20.00	DATE
1/33554432 = .0000000298023223876953125	1 = 1.00	1 = 1.00	21 = 21.00	DATE
1/67108864 = .00000001490116119384765625	1 = 1.00	1 = 1.00	22 = 22.00	DATE
1/134217728 = .000000007450580596923828125	1 = 1.00	1 = 1.00	23 = 23.00	DATE
1/268435456 = .0000000037252902984619140625	1 = 1.00	1 = 1.00	24 = 24.00	DATE
1/536870912 = .00000000186264514923095703125	1 = 1.00	1 = 1.00	25 = 25.00	DATE
1/1073741824 = .000000000931322574615478515625	1 = 1.00	1 = 1.00	26 = 26.00	DATE
1/2147483648 = .00000000046566128730773928125	1 = 1.00	1 = 1.00	27 = 27.00	DATE
1/4294967296 = .000000000232830643653869640625	1 = 1.00	1 = 1.00	28 = 28.00	DATE
1/8589934592 = .0000000001164153218269348203125	1 = 1.00	1 = 1.00	29 = 29.00	DATE
1/17179869184 = .00000000005820766091346741015625	1 = 1.00	1 = 1.00	30 = 30.00	DATE
1/34359738368 = .000000000029103830456733705078125	1 = 1.00	1 = 1.00	31 = 31.00	DATE
1/68719476736 = .0000000000145519152283668525390625	1 = 1.00	1 = 1.00	32 = 32.00	DATE
1/137438953472 = .00000000000727595761418342626953125	1 = 1.00	1 = 1.00	33 = 33.00	DATE
1/274877906944 = .000000000003637978807091713131928125	1 = 1.00	1 = 1.00	34 = 34.00	DATE
1/549755813888 = .0000000000018189894035458565659640625	1 = 1.00	1 = 1.00	35 = 35.00	DATE
1/1099511627776 = .00000000000090949470177292828298203125	1 = 1.00	1 = 1.00	36 = 36.00	DATE
1/2199023255552 = .000000000000454747350886464141491015625	1 = 1.00	1 = 1.00	37 = 37.00	DATE
1/4398046511104 = .000000000000227373675443232070745578125	1 = 1.00	1 = 1.00	38 = 38.00	DATE
1/8796093022208 = .0000000000001136868377216160353727890625	1 = 1.00	1 = 1.00	39 = 39.00	DATE
1/17592186044416 = .00000000000005684341886080176868639453125	1 = 1.00	1 = 1.00	40 = 40.00	DATE
1/35184372088832 = .000000000000028421709430400884343197265625	1 = 1.00	1 = 1.00	41 = 41.00	DATE
1/70368744177664 = .000000000000014210854715200442171593828125	1 = 1.00	1 = 1.00	42 = 42.00	DATE
1/140737488355328 = .0000000000000071054273576002210857969140625	1 = 1.00	1 = 1.00	43 = 43.00	DATE
1/281474976710656 = .00000000000000355271367880011054289846928125	1 = 1.00	1 = 1.00	44 = 44.00	DATE
1/562949953421312 = .000000000000001776356839400055271449472640625	1 = 1.00	1 = 1.00	45 = 45.00	DATE
1/1125899906842624 = .000000000000000888178419700027635722247131928125	1 = 1.00	1 = 1.00	46 = 46.00	DATE
1/2251799813685248 = .000000000000000444089209850013817861113569640625	1 = 1.00	1 = 1.00	47 = 47.00	DATE
1/4503599627370496 = .0000000000000002220446049250069089305678298203125	1 = 1.00	1 = 1.00	48 = 48.00	DATE
1/9007199254740992 = .00000000000000011102230246250345446528391491015625	1 = 1.00	1 = 1.00	49 = 49.00	DATE
1/18014398509481984 = .00000000000000005551115123125172723264195745578125	1 = 1.00	1 = 1.00	50 = 50.00	DATE

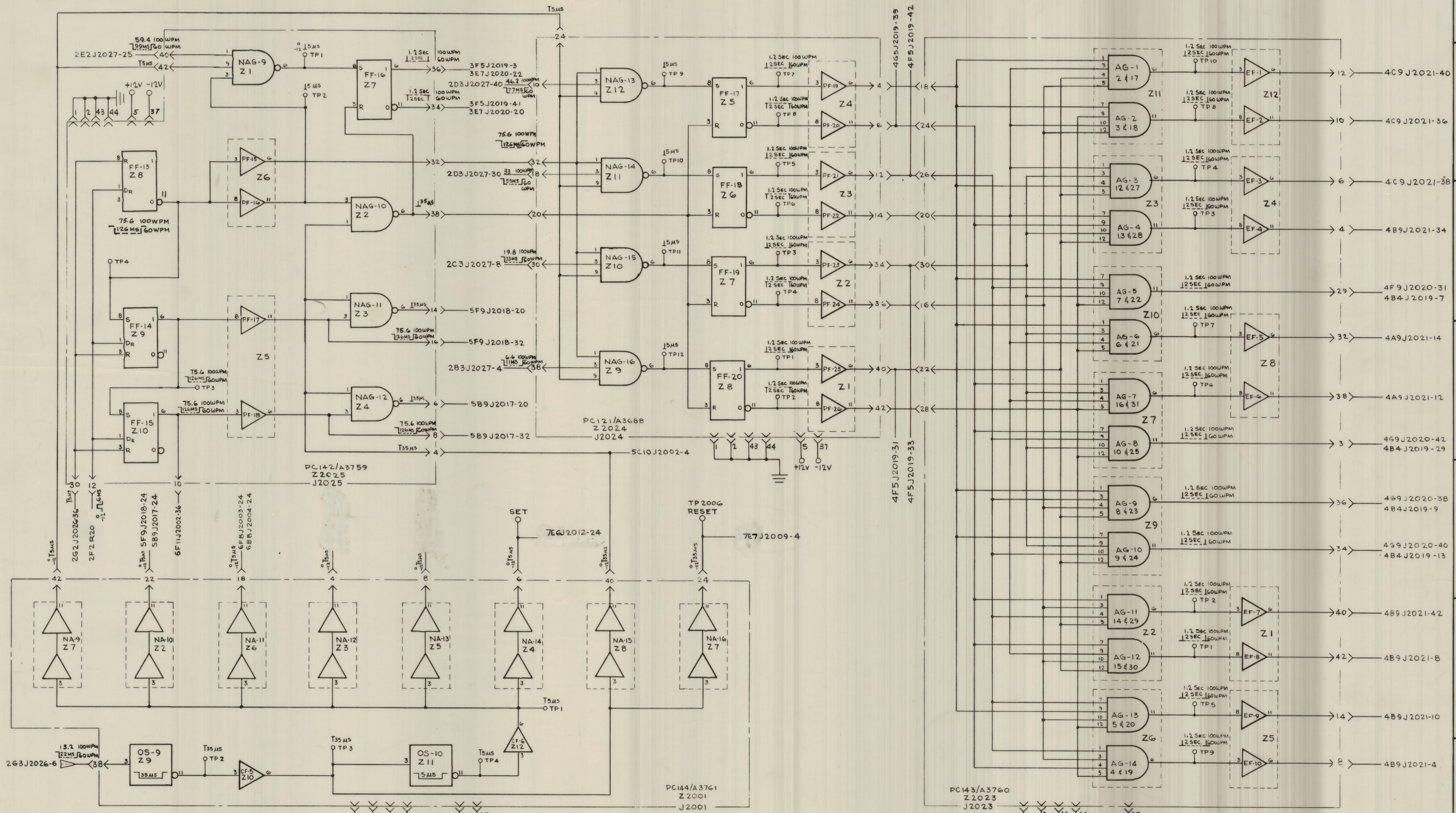
A



LAST NUMBER USED	
CF4	
FF12	
NAB	
NAG 7	
OS 8	
PF 14	

REVISIONS						
SYM	DESCRIPTION	DATE	E.M.N. NO.	DRAFT	CHKD	APPD
1	ORIGINAL RELEASE					
2	(SEE SHEET 10FF)					

REVISION	ITEM	PART NUMBER	DESCRIPTION	SYMBOL
EATON LIST OF MATERIAL				
MATERIAL				
THE TECHNICAL MATERIEL CORP. MAMARONECK, NEW YORK				
FINISH				
TITLE: DIAGRAM, LOGIC, DETAILED (RT1F-1)				
UNLESS OTHERWISE SPECIFIED DIMENSIONS ARE IN INCHES AND INCLUDE CHEMICALLY APPLIED OR PLATED FINISHES				
DECIMALS	FRACTIONS	CHECKED	DATE	FINAL APPROVAL
3 ± .005	1/16	DATE	DATE	DATE
1/2 ± .01	3/16	DATE	DATE	DATE
1 ± .008	1/2	DATE	DATE	DATE
TOLERANCES		DATE		
± .004		DATE		
± .005		DATE		
± .008		DATE		
± .010		DATE		
± .015		DATE		
± .020		DATE		
± .030		DATE		
± .040		DATE		
± .050		DATE		
± .060		DATE		
± .070		DATE		
± .080		DATE		
± .090		DATE		
± .100		DATE		
± .125		DATE		
± .150		DATE		
± .175		DATE		
± .200		DATE		
± .250		DATE		
± .300		DATE		
± .375		DATE		
± .450		DATE		
± .500		DATE		
± .625		DATE		
± .750		DATE		
± .875		DATE		
± 1.000		DATE		
± 1.250		DATE		
± 1.500		DATE		
± 1.750		DATE		
± 2.000		DATE		
± 2.500		DATE		
± 3.000		DATE		
± 3.750		DATE		
± 4.500		DATE		
± 5.000		DATE		
± 6.000		DATE		
± 7.000		DATE		
± 8.000		DATE		
± 9.000		DATE		
± 10.000		DATE		
± 12.500		DATE		
± 15.000		DATE		
± 17.500		DATE		
± 20.000		DATE		
± 25.000		DATE		
± 30.000		DATE		
± 37.500		DATE		
± 45.000		DATE		
± 50.000		DATE		
± 60.000		DATE		
± 70.000		DATE		
± 80.000		DATE		
± 90.000		DATE		
± 100.000		DATE		
± 125.000		DATE		
± 150.000		DATE		
± 175.000		DATE		
± 200.000		DATE		
± 250.000		DATE		
± 300.000		DATE		
± 375.000		DATE		
± 450.000		DATE		
± 500.000		DATE		
± 600.000		DATE		
± 700.000		DATE		
± 800.000		DATE		
± 900.000		DATE		
± 1000.000		DATE		
± 1250.000		DATE		
± 1500.000		DATE		
± 1750.000		DATE		
± 2000.000		DATE		
± 2500.000		DATE		
± 3000.000		DATE		
± 3750.000		DATE		
± 4500.000		DATE		
± 5000.000		DATE		
± 6000.000		DATE		
± 7000.000		DATE		
± 8000.000		DATE		
± 9000.000		DATE		
± 10000.000		DATE		
± 12500.000		DATE		
± 15000.000		DATE		
± 17500.000		DATE		
± 20000.000		DATE		
± 25000.000		DATE		
± 30000.000		DATE		
± 37500.000		DATE		
± 45000.000		DATE		
± 50000.000		DATE		
± 60000.000		DATE		
± 70000.000		DATE		
± 80000.000		DATE		
± 90000.000		DATE		
± 100000.000		DATE		
± 125000.000		DATE		
± 150000.000		DATE		
± 175000.000		DATE		
± 200000.000		DATE		
± 250000.000		DATE		
± 300000.000		DATE		
± 375000.000		DATE		
± 450000.000		DATE		
± 500000.000		DATE		
± 600000.000		DATE		
± 700000.000		DATE		
± 800000.000		DATE		
± 900000.000		DATE		
± 1000000.000		DATE		
± 1250000.000		DATE		
± 1500000.000		DATE		
± 1750000.000		DATE		
± 2000000.000		DATE		
± 2500000.000		DATE		
± 3000000.000		DATE		
± 3750000.000		DATE		
± 4500000.000		DATE		
± 5000000.000		DATE		
± 6000000.000		DATE		
± 7000000.000		DATE		
± 8000000.000		DATE		
± 9000000.000		DATE		
± 10000000.000		DATE		
± 12500000.000		DATE		
± 15000000.000		DATE		
± 17500000.000		DATE		
± 20000000.000		DATE		
± 25000000.000		DATE		
± 30000000.000		DATE		
± 37500000.000		DATE		
± 45000000.000		DATE		
± 50000000.000		DATE		
± 60000000.000		DATE		
± 70000000.000		DATE		
± 80000000.000		DATE		
± 90000000.000		DATE		
± 100000000.000		DATE		
± 125000000.000		DATE		
± 150000000.000		DATE		
± 175000000.000		DATE		
± 200000000.000		DATE		
± 250000000.000		DATE		
± 300000000.000		DATE		
± 375000000.000		DATE		
± 450000000.000		DATE		
± 500000000.000		DATE		
± 600000000.000		DATE		
± 700000000.000		DATE		
± 800000000.000		DATE		
± 900000000.000		DATE		
± 1000000000.000		DATE		
± 1250000000.000		DATE		
± 1500000000.000		DATE		
± 1750000000.000		DATE		
± 2000000000.000		DATE		
± 2500000000.000		DATE		
± 3000000000.000		DATE		
± 3750000000.000		DATE		
± 4500000000.000		DATE		
± 5000000000.000		DATE		
± 6000000000.000		DATE		
± 7000000000.000		DATE		
± 8000000000.000		DATE		
± 9000000000.000		DATE		
± 10000000000.000		DATE		
± 12500000000.000		DATE		
± 15000000000.000		DATE		
± 17500000000.000		DATE		
± 20000000000.000		DATE		
± 25000000000.000		DATE		
± 30000000000.000		DATE		
± 37500000000.000		DATE		
± 45000000000.000		DATE		
± 50000000000.000		DATE		
± 60000000000.000		DATE		
± 70000000000.000		DATE		
± 80000000000.000		DATE		
± 90000000000.000		DATE		
± 100000000000.000		DATE		
± 125000000000.000		DATE		
± 150000000000.000		DATE		
± 175000000000.000		DATE		
± 200000000000.000		DATE		
± 250000000000.000		DATE		
± 300000000000.000		DATE		
± 375000000000.000		DATE		
± 450000000000.000		DATE		
± 500000000000.000		DATE		
± 600000000000.000		DATE		
± 700000000000.000		DATE		
± 800000000000.000		DATE		
± 900000000000.000		DATE		
± 1000000000000.000		DATE		
± 1250000000000.000		DATE		
± 1500000000000.000		DATE		
± 1750000000000.000		DATE		
± 2000000000000.000		DATE		
± 2500000000000.000		DATE		
± 3000000000000.000		DATE		
± 3750000000000.000		DATE		
± 4500000000000.000		DATE		
± 5000000000000.000		DATE		
± 6000000000000.000		DATE		
± 7000000000000.000		DATE		
± 8000000000000.000		DATE		
± 9000000000000.000		DATE		
± 10000000000000.000		DATE		
± 12500000000000.000		DATE		
± 15000000000000.000		DATE		
± 17500000000000.000		DATE		
± 20000000000000.000		DATE		
± 25000000000000.000		DATE		
± 30000000000000.000		DATE		
± 37500000000000.000		DATE		
± 45000000000000.000		DATE		
± 50000000000000.000		DATE		
± 60000000000000.000		DATE		
± 70000000000000.000		DATE		
± 80000000000000.000		DATE		
± 90000000000000.000		DATE		
± 100000000000000.000		DATE		
± 125000000000000.000		DATE		
± 150000000000000.000		DATE		
± 175000000000000.000		DATE		
± 200000000000000.000		DATE		
± 250000000000000.000		DATE		
± 300000000000000.000		DATE		
± 375000000000000.000		DATE		
± 450000000000000.000		DATE		
± 500000000000000.000		DATE		
± 600000000000000.000		DATE		
± 700000000000000.000		DATE		
± 800000000000000.000		DATE		
± 900000000000000.000		DATE		
± 1000000000000000.000		DATE		
± 1250000000000000.000		DATE		
± 1500000000000000.000		DATE		
± 1750000000000000.000		DATE		
± 2000000000000000.000		DATE		
± 2500000000000000.000		DATE		
± 3000000000000000.000		DATE		
± 3750000000000000.000		DATE		
± 4500000000000000.000		DATE		
± 5000000000000000.000		DATE		
± 6000000000000000.000		DATE		
± 7000000000000000.000		DATE		
± 8000000000000000.000		DATE		
± 9000000000000000.000		DATE		
± 10000000000000000.000		DATE		
± 12500000000000000.000		DATE		
± 15000000000000000.000		DATE		
± 17500000000000000.000		DATE		
± 20000000000000000.000		DATE		
± 25000000000000000.000		DATE		
± 30000000000000000.000		DATE		
± 37500000000000000.000		DATE		
± 45000000000000000.000		DATE		
± 50000000000000000.000		DATE		
± 60000000000000000.000		DATE		
± 70000000000000000.000		DATE		
± 80000000000000000.000		DATE		
± 90000000000000000.000		DATE		
± 100000000000000000.000		DATE		
± 125000000000000000.000				

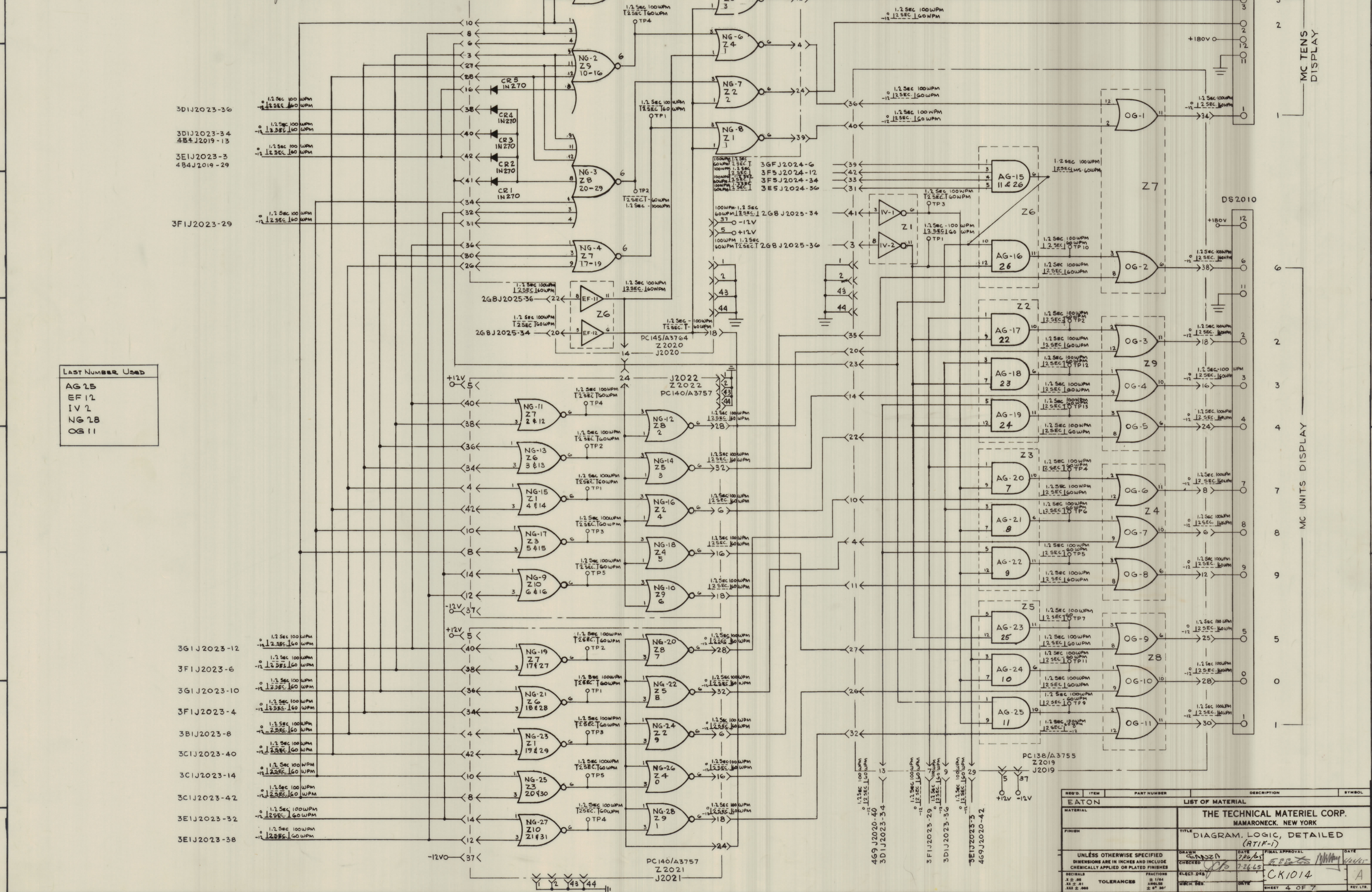


REVISIONS					
BY	DESCRIPTION	DATE	REV. NO.	DRAFT	CHKD
BY	ORIGINAL RELEASE	7/6/64	H		
A	(SEE SHEET 10F7)	1/16/65	15838	2V	(Signature)

- LAST NUMBER USED
- AG 14
 - CF 6
 - EF 10
 - FF 20
 - NA 16
 - NAG 16
 - OS 10
 - PF 26

REQD	ITEM	PART NUMBER	DESCRIPTION	SYMBOL
EATON LIST OF MATERIAL				
MATERIAL				
THE TECHNICAL MATERIEL CORP. MAMARONECK, NEW YORK				
FINISH				
TITLE DIAGRAM, LOGIC, DETAILED (RTIF-1)				
UNLESS OTHERWISE SPECIFIED DIMENSIONS ARE IN INCHES AND INCLUDE CHEMICALLY APPLIED OR PLATED FINISHES				
DECIMALS	FRACTIONS	DATE	FINAL APPROVAL	DATE
X ± .05	1/16	7/6/64	(Signature)	7/6/64
XX ± .01	1/32	DATE	DATE	DATE
XXX ± .005	1/64	DATE	DATE	DATE
TOLERANCES ± 0° 30'				
DRAWN: EAU2A CHECKED: (Signature) ELECT. DES: (Signature) MECH. DES: (Signature)				
CK 1014				
SHEET 3 OF 7				
REV. LTR.				

REVISIONS						
REV	DESCRIPTION	DATE	E.M.N. NO.	DRAFT	CHKD	APPD
0	ORIGINAL RELEASE	7/16/61	11			
1	(SEE SHEET 1 OF 7)	7/16/61	15538			



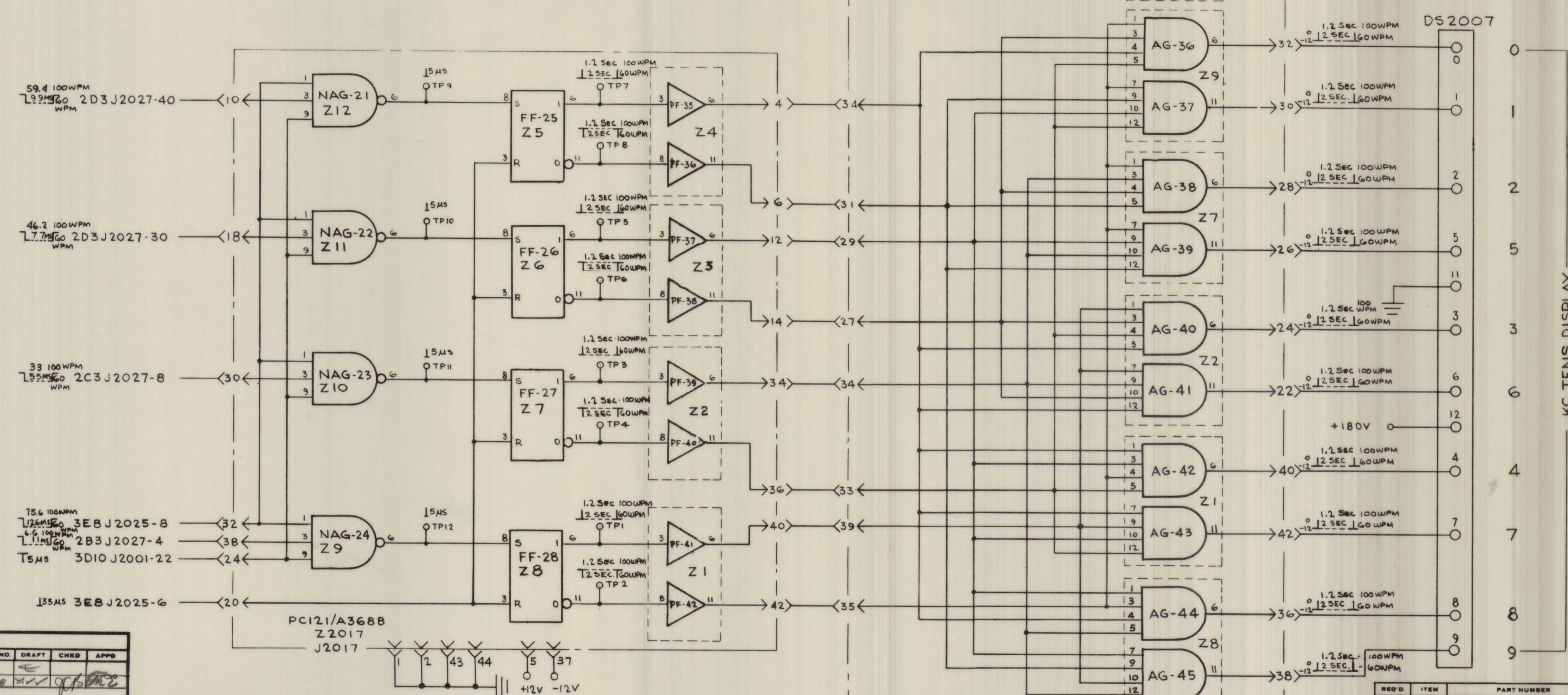
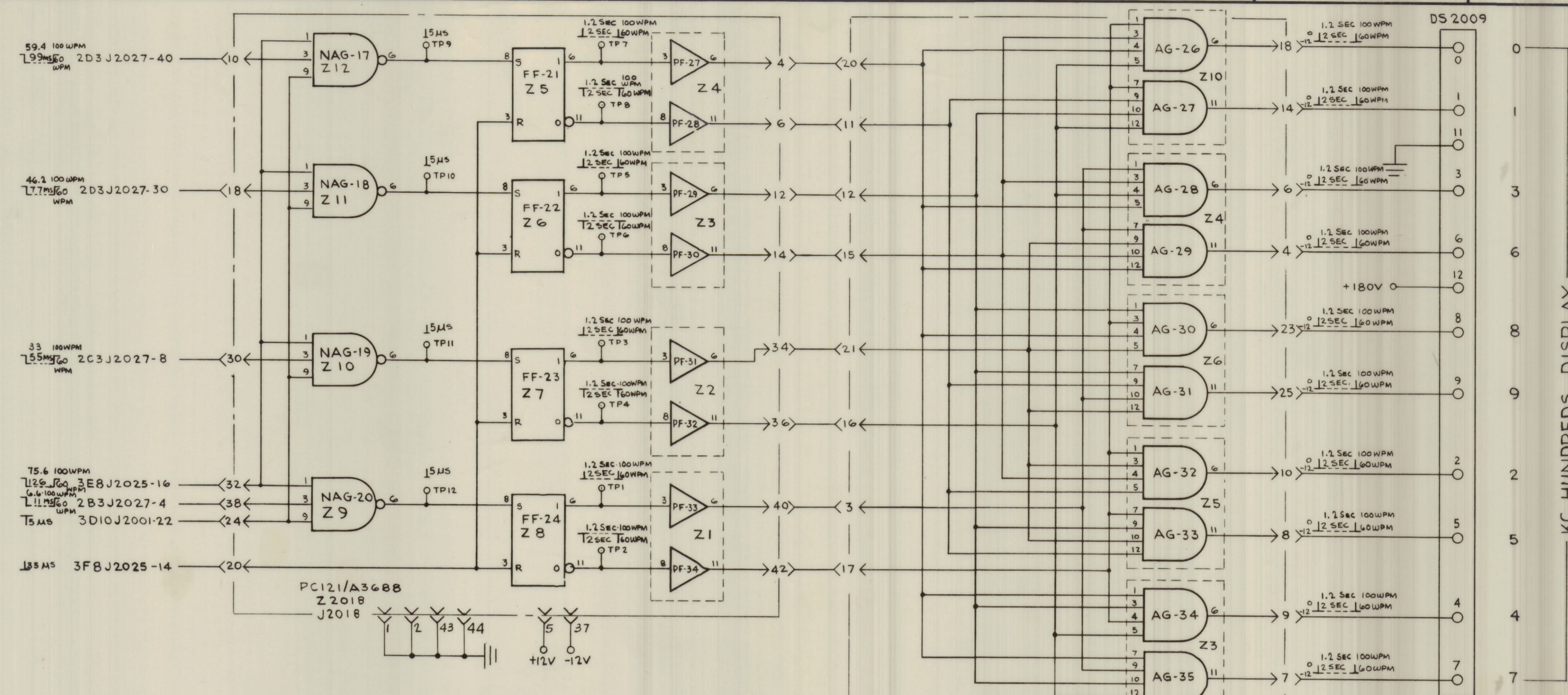
LAST NUMBER USED	
AG 15	
EF 12	
IV 2	
NG 28	
OG 11	

- 3DIJ2023-36
- 3DIJ2023-34
- 4B4J2019-13
- 3EIJ2023-3
- 4B4J2019-29
- 3FIJ2023-29
- 3GIJ2023-12
- 3FIJ2023-6
- 3GIJ2023-10
- 3FIJ2023-4
- 3BIJ2023-8
- 3CIJ2023-40
- 3CIJ2023-14
- 3CIJ2023-42
- 3EIJ2023-32
- 3EIJ2023-38

REQD.	ITEM	PART NUMBER	DESCRIPTION	SYMBOL
EATON LIST OF MATERIAL				
THE TECHNICAL MATERIEL CORP. MAMARONECK, NEW YORK				
TITLE DIAGRAM, LOGIC, DETAILED (RTK-1)				
UNLESS OTHERWISE SPECIFIED DIMENSIONS ARE IN INCHES AND INCLUDE CHEMICALLY APPLIED OR PLATED FINISHES		DRAWN CS/NDZ	DATE 7/26/61	FINAL APPROVAL [Signature]
TOLERANCES		ELECT. P.C.B. [Signature]	DATE 7/26/61	DATE [Signature]
FRACTIONS ± 1/64 ± 1/32 ± 1/16 ± 3/32 ± 1/8 ± 1/4 ± 1/2 ± 3/4 ± 1		SHEET 4 OF 7		

MC TENS DISPLAY

MC UNITS DISPLAY



KC HUNDREDS DISPLAY

KC TENS DISPLAY

LAST NUMBER USED	
AG	45
FF	28
NAG	24
PF	42

REVISIONS					
BY	DESCRIPTION	DATE	E.N. NO.	DRAFT	APPD.
BY	ORIGINAL RELEASE	7/26/57			
A	(SEE SHEET 1077)	11/16/55	15538	141	[Signature]

REQD. ITEM	PART NUMBER	DESCRIPTION	SYMBOL
EATON LIST OF MATERIAL			
MATERIAL			
FINISH			
UNLESS OTHERWISE SPECIFIED DIMENSIONS ARE IN INCHES AND INCLUDE CHEMICALLY APPLIED OR PLATED FINISHES			
DRAMA	DATE	FIGS. APPROVAL	DATE
CHECKED	DATE	DATE	DATE
DECIMALS	FRACTIONS	ELECT. DIM.	DATE
± .08	± 1/64	MECH. DIM.	DATE
± .001	± .001		
± .005	± .005		

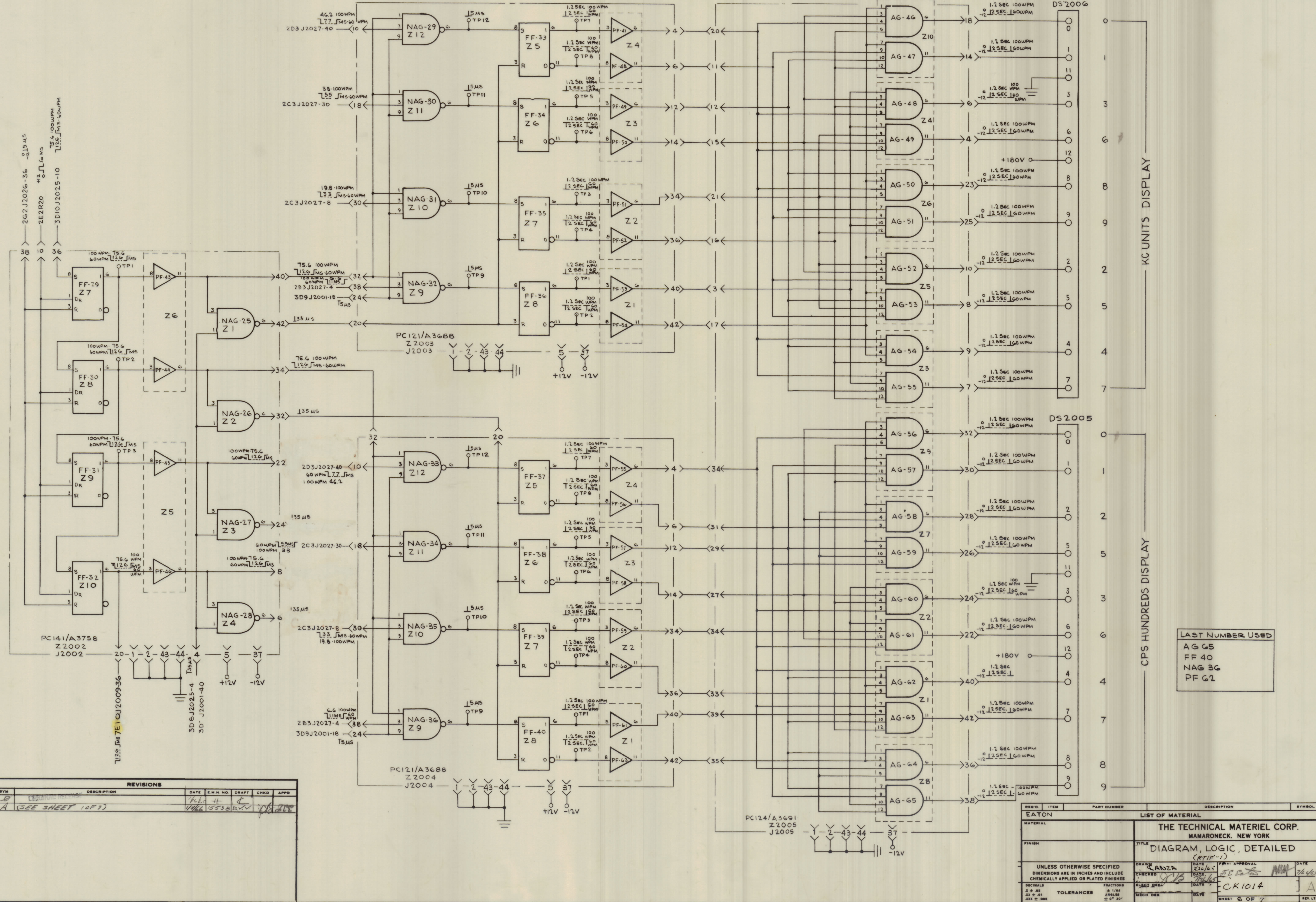
THE TECHNICAL MATERIEL CORP.
MAMARONECK, NEW YORK

TITLE
DIAGRAM, LOGIC DETAILED
(RTIF-1)

CK1014

SHEET 5 OF 7

11 10 9 8 7 6 5 4 3 2 1



KC UNITS DISPLAY
CPS HUNDREDS DISPLAY

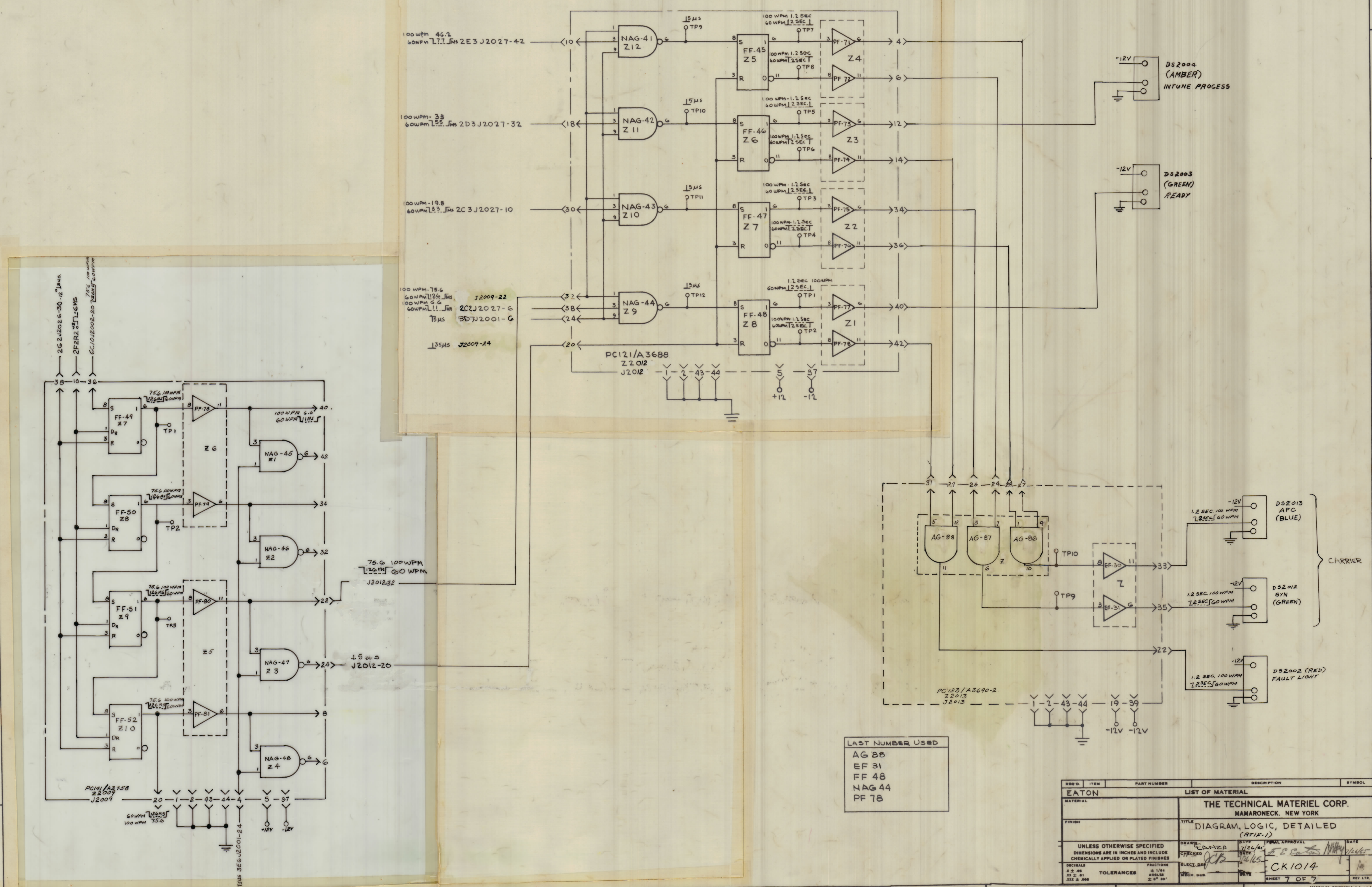
LAST NUMBER USED
 AG G5
 FF 40
 NAG 36
 PF G2

REVISIONS						
SYM	DESCRIPTION	DATE	E.M. NO.	DRAFT	CHKD	APPD
B	REVISION	7/1/64	4			
A	(SEE SHEET 10F7)	1/16/64	1553B			

REQ'D.	ITEM	PART NUMBER	DESCRIPTION	SYMBOL
EATON LIST OF MATERIAL				
MATERIAL THE TECHNICAL MATERIEL CORP. MAMARONECK, NEW YORK				
FINISH TITLE DIAGRAM, LOGIC, DETAILED (RTIF-1)				
UNLESS OTHERWISE SPECIFIED DIMENSIONS ARE IN INCHES AND INCLUDE CHEMICALLY APPLIED OR PLATED FINISHES				
DRAWN	ANZA	DATE	2/12/64	FRMT. APPROVAL
CHECKED	CKB	DATE	7/1/64	DATE
SELECT. DESIG.		DATE		DATE
MECH. DES.		DATE		DATE
TOLERANCES				CK1014
FRACTIONS				
ANGLES				
MECH. DES.				
SHEET 6 OF 7				REV. LTR.

11 10 9 8 7 6 5 4 3 2 1

REVISIONS					
BY	DESCRIPTION	DATE	CHKD	APPD	
A	(SEE SHEET 1 OF 7)	7/1/64	15538		



LAST NUMBER USED
 AG 88
 EF 31
 FF 48
 NAG 44
 PF 78

REQ'D	ITEM	PART NUMBER	DESCRIPTION	SYMBOL
EATON LIST OF MATERIAL				
THE TECHNICAL MATERIEL CORP. MAMARONECK, NEW YORK				
DIAGRAM, LOGIC, DETAILED (ATIF-1)				
UNLESS OTHERWISE SPECIFIED DIMENSIONS ARE IN INCHES AND INCLUDE CHEMICALLY APPLIED OR PLATED FINISHES		DRAWN	DATE	APPROVAL
TOLERANCES		BY	DATE	BY
REVISIONS		BY	DATE	BY
SHEET 7 OF 7		REV LTR		